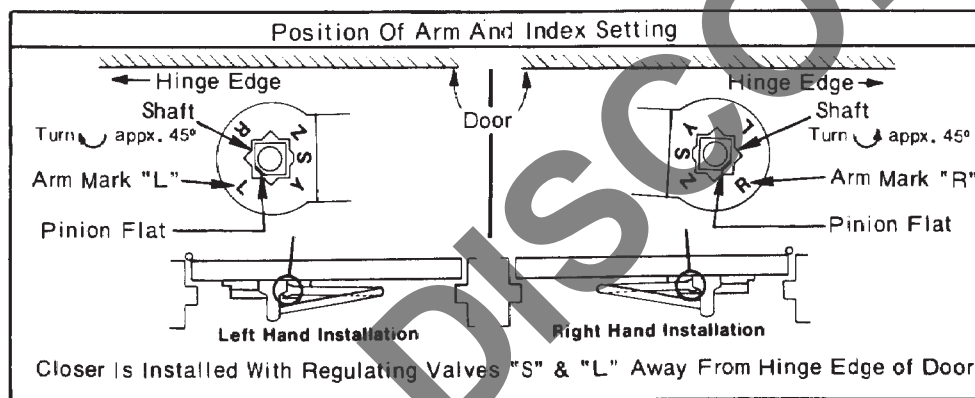


Opening	Dimension "A"		Dimension "B"	
	inches	mm.	inches	mm.
To 120°	9-5/8	244	3-3/4	95
*Over 120°	7-1/8	181	1-1/4	32

*Door Capable of 180° Swing, Conditions Permitting



- Do not scale drawing.
- Left hand door shown.
- Dimensions are in inches (mm)
- Maximum butt hinge width for this template is 5" (127).
- Hollow metal doors require channel or box type reinforcement when thru bolt mount is specified.
- Minimum thickness recommended for reinforcements in hollow metal doors and frames: .1046" (2.66mm) unless otherwise noted.
- Hold Open Arms are not permitted to be used on fire doors.

**PR2501, PR2511 Door Closer With 293L Bracket for Flush Transoms
With or Without 3158 Drop Plate
Parallel Rigid Application With Non Hold Open or Hold Open Arms
Multi-size Units**

Yale 100 Yale Ave.
Lenoir City, TN 37771-3226
1-800-438-1951
www.yalelocks.com

TEMPLATE NUMBER **7325-0252** DATE **07-10**