



RL Series Tubular Locks



ACCENTRA
ASSA ABLOY

ASSA ABLOY is transitioning the Yale Commercial brand to ACCENTRA. This affects only the brand name; the products and product numbers will remain unchanged. Prior to May 20, 2024, products may be shipped either as Yale Commercial brand or ACCENTRA brand. Products shipping after May 20, 2024, will be branded ACCENTRA.



Contents

Benefits & Features.....	3
How to Order.....	4
Finishes.....	5
Lever Trim.....	6-10
Rose Options.....	11
Functions.....	12
Latchbolts.....	13
Strikes.....	14
Exploded View.....	15
Sample Specification.....	16
Technical Specifications & Listings.....	17

RL Series Tubular Locks

For applications that require beautiful modern aesthetics, Yale RL Series Tubular Locks are specially designed for use with the Yale Reflections® decorative lever collection. Engineered with the trusted quality of Yale and with ease of installation in mind, the RL Series exceeds the expectations of architects and design professionals in the interior applications of any hospitality, multi-family, and mixed-use facility.

At the place where form meets function, Yale Works for YouSM.



Benefits & Features

Benefits

- **Beautiful design:** Well-suited to any interior application that requires attractive, modern aesthetics
- **Suiting options:** Reflections® levers can be suited on door hardware throughout your facility, allowing for design continuity
- **Versatile installation:** Adjustable rose accommodates a variety of door thicknesses
- **Secure:** Quality security from a brand trusted for over 170 years

Features

- Available in 30 lever designs across 13 high-quality architectural finishes
- Offered in a range of function options for any interior application, including passage, privacy, dummy trims and more
- ADA compliant for ease of accessibility



Specifications

Backset	2-3/4" (70mm) standard, 2-3/8" (60mm) optional
Door Thickness	Standard for doors 1-3/8" (35mm) to 1-3/4" (44mm). Optional 1-7/8" (48mm) to 2" (51mm).
Handing	Non-handed
Latchbolt	Brass with 1/2" (13mm) projection. 2-3/4" (70mm) backset standard, see page 13 for additional options.
Strike	T-Strike 2-3/4" x 1-1/8" x 1-1/4" (70mm x 29mm x 32mm) lip to center supplied standard, see page 14 for additional options.
Door Prep	Conform to ANSI/BHMA A156.115 and A156.115-W for steel and wood doors.
UL/cUL	Listed for use on fire doors up to and including 3 hours.
Warranty	1 year

How to Order





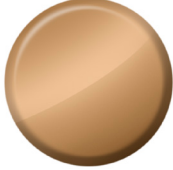





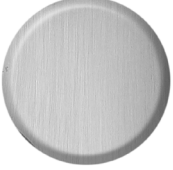




Quantity	Lever Design	Rose Design	Function	Hand	Latch	Strike	Door Thickness	Finish
	See pages 6-10	See page 11	See page 12	Specify RH or LH	RLP34(A) latchbolt supplied standard, see page 13 for additional options	371 strike supplied standard, see page 14 for additional options	1-3/8" to 1-3/4" standard Optional 1-7/8" to 2"	See page 5

Build Your Order String

Quantity	Lever Design	Rose Design	Function	Hand	Latch	Strike	Door Thickness	Finish
Example:	TM	R4	RL201	RH	RLP34	371	1-3/4"	BSP

Finishes



ANSI/BHMA Code Finish Description				
605 Bright Brass, Clear Coated	606 Satin Brass, Clear Coated	611 Bright Bronze, Clear Coated	612 Satin Bronze, Clear Coated	613E Dark Oxidized Satin Bronze - equivalent
				
618 Bright Nickel Plated, Clear Coated	619 Satin Nickel Plated, Clear Coated*	625 Bright Chrome Plated	626 Satin Chrome Plated*	629 Bright Stainless Steel
				
630 Satin Stainless Steel*	BSP Black Suede Powder Coat	WSP White Suede Powder Coat		
				

*Finish available with MicroShield® antimicrobial coating. Add YMS suffix to order Microshield antimicrobial coating.

MicroShield coating may vary finish color from architectural standards. MicroShield is not intended as a substitute for traditional infection control programs such as hand hygiene or use of disinfectants. Coated products must still be cleaned to ensure the surfaces will be free of destructive microbes. Yale makes no representations or warranties, express or implied, as to the efficacy of MicroShield.

Lever Trim




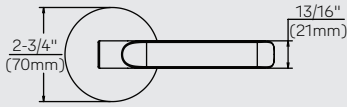
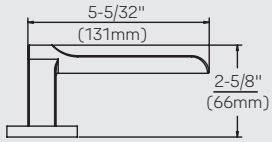

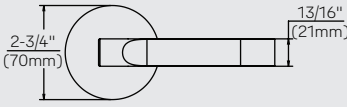
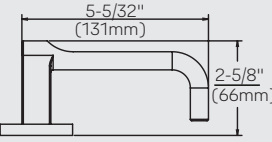
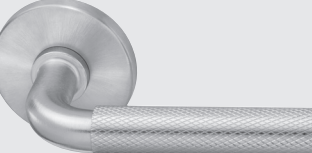
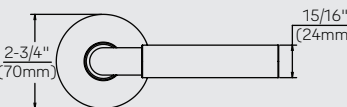
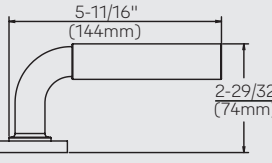
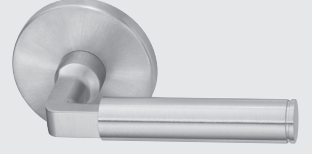
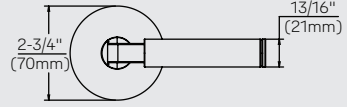
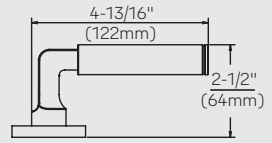
Hudson

<p>TB</p>			
<p>UB</p>			
<p>TC</p>			
<p>UC</p>			
<p>TD</p>			

Lever Trim




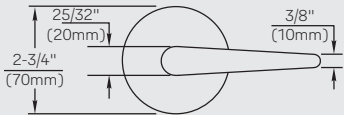
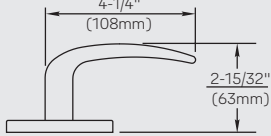

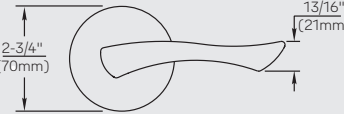
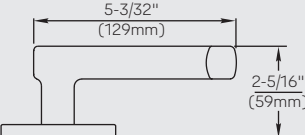

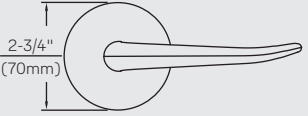
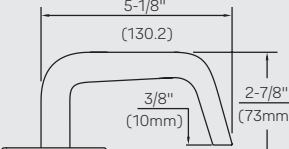


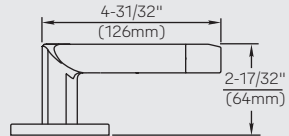

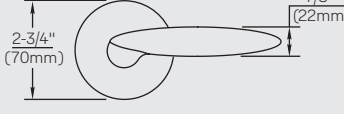
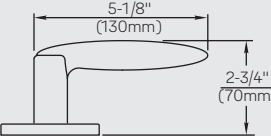


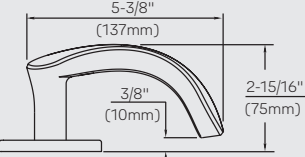
Spree

<p>RS</p>			
<p>RT</p>			
<p>RU</p>			
<p>RV</p>			

Lever Trim



Seine

TE			
TG*			
TI			
TJ*			
TK*			
TO*			

*Handed levers.

Lever Trim



Thames

<p>TM</p>			
<p>TN</p>			
<p>TP</p>			
<p>TR</p>			
<p>TS</p>			
<p>TQ</p>			

Lever Trim

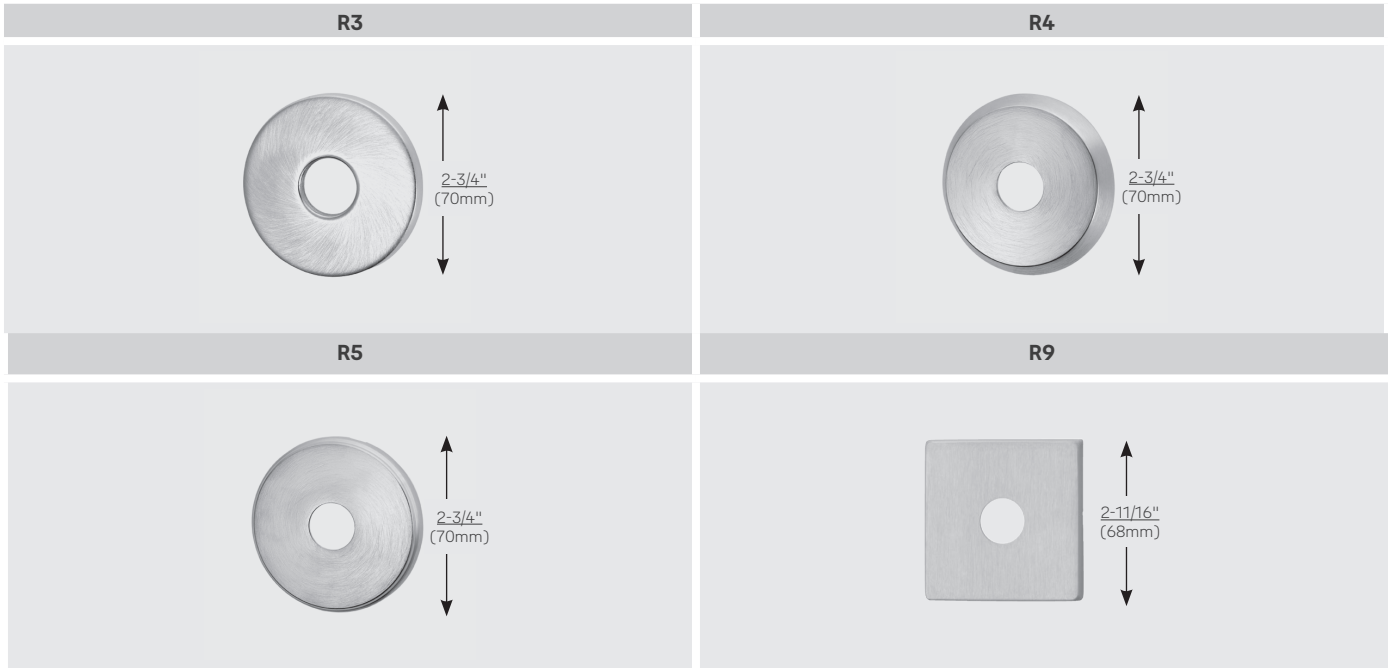


Victoria

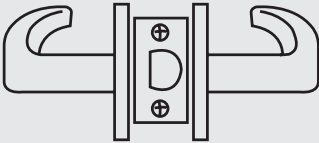
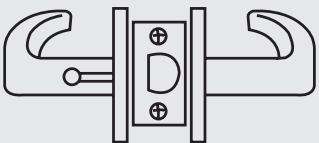
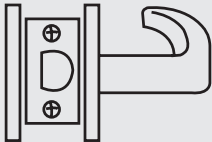
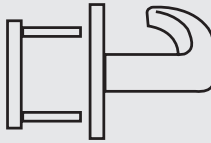
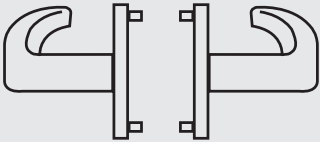
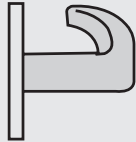
TT*			
TU*			
TV*			
TW*			
UW*			
TX*			
UX*			
TY*			
TZ*			

*Handed levers.

Rose Options





RL201	RL202
<p>Passage or Closet Latch</p> <ul style="list-style-type: none"> • For doors that do not require locking. • Either lever operates latchbolt at all times. • Ideal for closets and bedrooms. 	<p>Privacy Bedroom or Bath Lock</p> <ul style="list-style-type: none"> • Either lever operates latchbolt unless outside lever is locked by pushbutton inside. • Button automatically releases when inside lever is turned or door is closed. • Emergency release outside. • Inside lever always active. • Ideal for lavatories and home offices. 
RL228	RL255
<p>Communicating Passage or Exit Latch</p> <ul style="list-style-type: none"> • For twin communicating or exit doors where one side operation is required. • Use where space is limited. • One lever operation. • Blank rose. • Should be used only where rooms have more than one entrance. 	<p>Dummy Trim</p> <ul style="list-style-type: none"> • Non-operational lever used for decorative trim. • No latchbolt. • Ideal for pantries. 
RL255D	RL255S
<p>Double Dummy Trim</p> <ul style="list-style-type: none"> • Non-operational levers used for decorative trim. • No latchbolt. • Ideal for sliding doors. 	<p>Dummy Trim</p> <ul style="list-style-type: none"> • Non-operational lever used for decorative trim. • No latchbolt. • Surface mounted. • Ideal for pantries. 

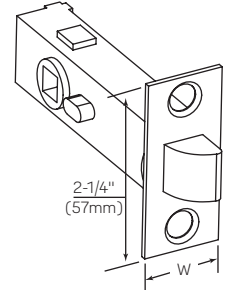
Shaded lever denotes rigid lever.

Latchbolts

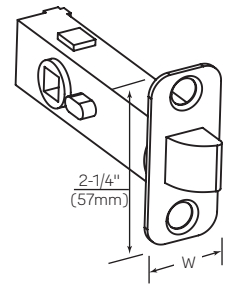


Model No. RLP34(A) supplied standard with all RL series locksets. Model No. RLP34(A) latchbolt has a 2-1/4" x 1-1/8" front with a 2-3/4" backset and a 1/2" bolt throw. Optional square and round corner latchbolts available to special order, see below.

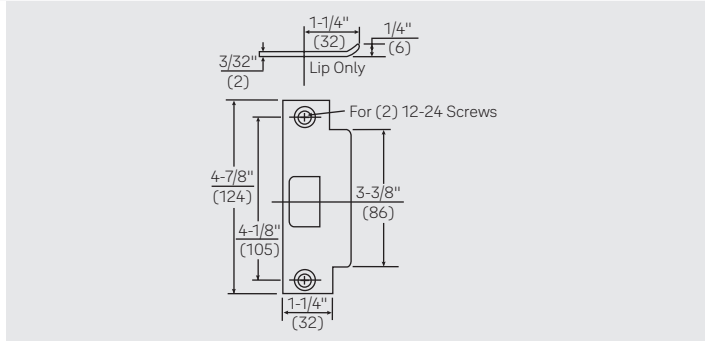
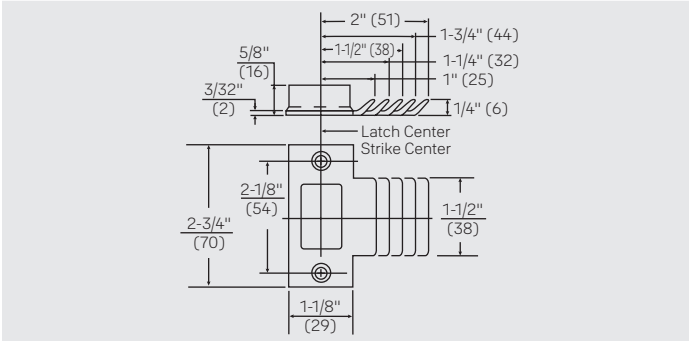
Model Number	Function Used With	Front	Backset	Throw	"W" Front Width	Latch Prep*
RLP38	RL202	Square	2-3/8" (60mm)	1/2" (13mm)	1" (25mm)	1" (25mm)
RLP38A	RL201 & RL228	Square	2-3/8" (60mm)	1/2" (13mm)	1" (25mm)	1" (25mm)
RLP34	RL202	Square	2-3/4" (70mm)	1/2" (13mm)	1-1/8" (29mm)	1" (25mm)
RLP34A	RL201 & RL228	Square	2-3/4" (70mm)	1/2" (13mm)	1-1/8" (29mm)	1" (25mm)



Model Number	Function Used With	Front	Backset	Throw	"W" Front Width	Latch Prep*
RLPR38	RL202	Round	2-3/8" (60mm)	1/2" (13mm)	1" (25mm)	1" (25mm)
RLPR38A	RL201 & RL228	Round	2-3/8" (60mm)	1/2" (13mm)	1" (25mm)	1" (25mm)
RLPR34	RL202	Round	2-3/4" (70mm)	1/2" (13mm)	1-1/8" (29mm)	1" (25mm)
RLPR34A	RL201 & RL228	Round	2-3/4" (70mm)	1/2" (13mm)	1-1/8" (29mm)	1" (25mm)



*Square or round

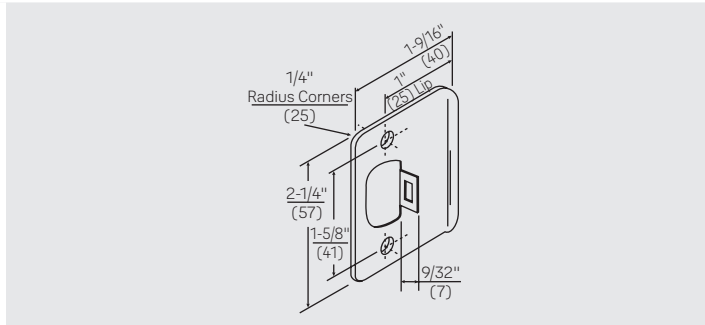
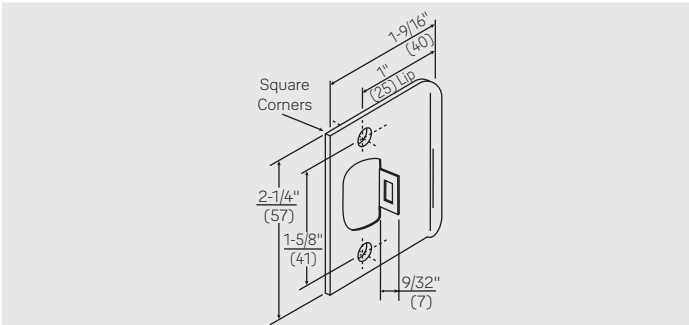


Standard Strike

Model No. 371 x 1-1/4" lip supplied standard with RL Series locks. This strike will accommodate frames for 1-3/8" to 1-3/4" thick doors. Strikes with other lip dimensions shown are available to special order. All Model No. 371 strikes are supplied with wrought strike box Part No. 14-5301-1033.

Optional 497 ANSI Strike

For doors and frames with ANSI/BHMA A156.115 preparations. 1-1/4" supplied standard. 1-18", 1-1/2" and 1-3/4" lip lengths available by special order.



Optional 20S Full Lip Strike (Square Corner)

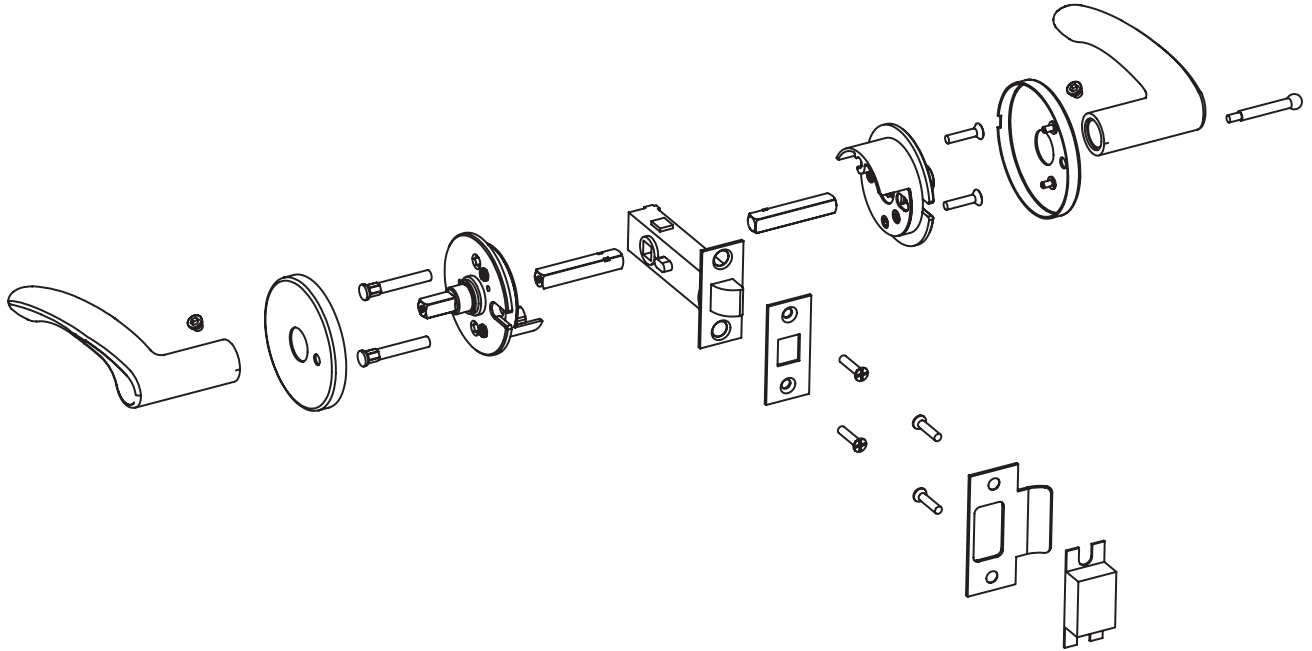
Square corner with full lip anti-rattle tab.

Optional 21S Full Lip Strike (Round Corner)

1/4" Round Corner Radius. Similar in dimensions and function to the 20S Strike but with radius corners for easy mortising by power tools. Anti-rattle tab.

Note: dimensions shown inches (millimeters)

Exploded View



Sample Specification



All locks shall be RL Series Tubular as provided by Yale Locks & Hardware.

Locks shall have an interlocking tubular chassis and latchbolt. Chassis mounting screws shall be accessible only when the levers and roses are removed.

All locks shall mount in a standard ANSI/BHMA A156.115 door prep (2-1/8" diameter) without additional thru-bolt preps.

All locks and latchbolts shall be non-handed and reversible for ease of installation.

All locks shall have bi-directional lever operation and lever handles shall be a minimum of 4-1/4" (108mm) in length. All levers shall be made of solid material with no plastic fillers.

All locks shall be adjustable for 1-3/8" (35mm) and 1-3/4" (44mm) door thickness.

All locks shall have a standard 2-3/4" (70mm) backset and offered with optional 2-3/8" (60mm) backset.

All latchbolts shall have a 1/2" (13mm) throw.

All strikes shall be non-handed with a curved lip.

Certification:

ANSI A117.1 Accessibility Code

UL 3-hour Rating (Optional)

All locks shall carry a one-year warranty.



ADA



The RL Series lever designs meet accessibility guidelines of the Americans with Disabilities Act and the requirements of the Uniform Federal Accessibility Standards and ANSI A117.1, all requiring ease of accessibility.

Door Prep

RL Series Tubular locks conform to ANSI/BHMA specifications A156.115 which cover hardware preparations for steel doors and steel frames and A156.115-W which cover hardware preparations for wood doors with wood or steel frames.

Fire Listings

RL Series Tubular locks are available UL-cUL Listed for use on fire doors having a rating up to and including 3-hours. This option is available for RL201, RL202 and RL228 functions and can be ordered by suffixing "F" to the model number, i.e. RL201F.

Note: Any retrofit or other field modification to a fire rated opening can potentially impact the fire rating of the opening, and Yale Locks & Hardware makes no representations or warranties concerning what such impact may be in any specific situation. When retrofitting any portion of an existing fire rated opening, or specifying and installing a new fire-rated opening, please consult with a code specialist or local code official (Authority Having Jurisdiction) to ensure compliance with all applicable codes and ratings.

Warranty

RL Series Tubular locks carry a one-year warranty.



Trusted every day

Phone

1-855-557-5078

Customer Service Email

customerservice.yale@assaabloy.com

Technical Product Support Email

techsupport.yale@assaabloy.com

Order Entry Email

orders.yaleus@assaabloy.com

Fax

1-800-338-0965

Website

www.yalecommercial.com

Contact Us

U.S.A.

Yale Locks & Hardware

Address: 225 Episcopal Road

Berlin, CT 06037-4004

Tel: 1-800-438-1951

Fax: 1-800-338-0965

yalecommercial.com

Canada:

ASSA ABLOY Door Security Solutions Canada

Address: 160 Four Valley Drive

Vaughan, Ontario L4K 4T9

Tel: 1-800-461-3007

Fax: 1-800-461-8989

assaabloydss.ca

International:

ASSA ABLOY Americas International

Tel: 1-905-821-7775

Fax: 1-905-821-1429

assaabloyai.com



The Agion antimicrobial is not intended as a substitute for good hygiene. Coated products must still be cleaned to ensure the surfaces will be free of destructive microbes. ASSA ABLOY makes no representations or warranties, express or implied, as to the efficacy of the Agion antimicrobial. A copy of the Agion warranty is available upon request. Agion is a registered trademark of Agion Technologies, Inc., Wakefield, MA, USA.

THE YALE BRAND, with its unparalleled global reach and range of products, reassures more people in more countries than any other consumer locking solution.

THE ASSA ABLOY GROUP is the world's leading manufacturer and supplier of locking solutions, dedicated to satisfying end-user needs for security, safety and convenience.

Yale Commercial is a business associated with ASSA ABLOY Access and Egress Hardware Group, Inc., an ASSA ABLOY Group company. Copyright © 2004-2023, ASSA ABLOY Access and Egress Hardware Group, Inc. All rights reserved. Reproduction in whole or in part without the express written permission of ASSA ABLOY Access and Egress Hardware Group, Inc. is prohibited. Patent pending and/or patent www.assaabloydss.com/patents.