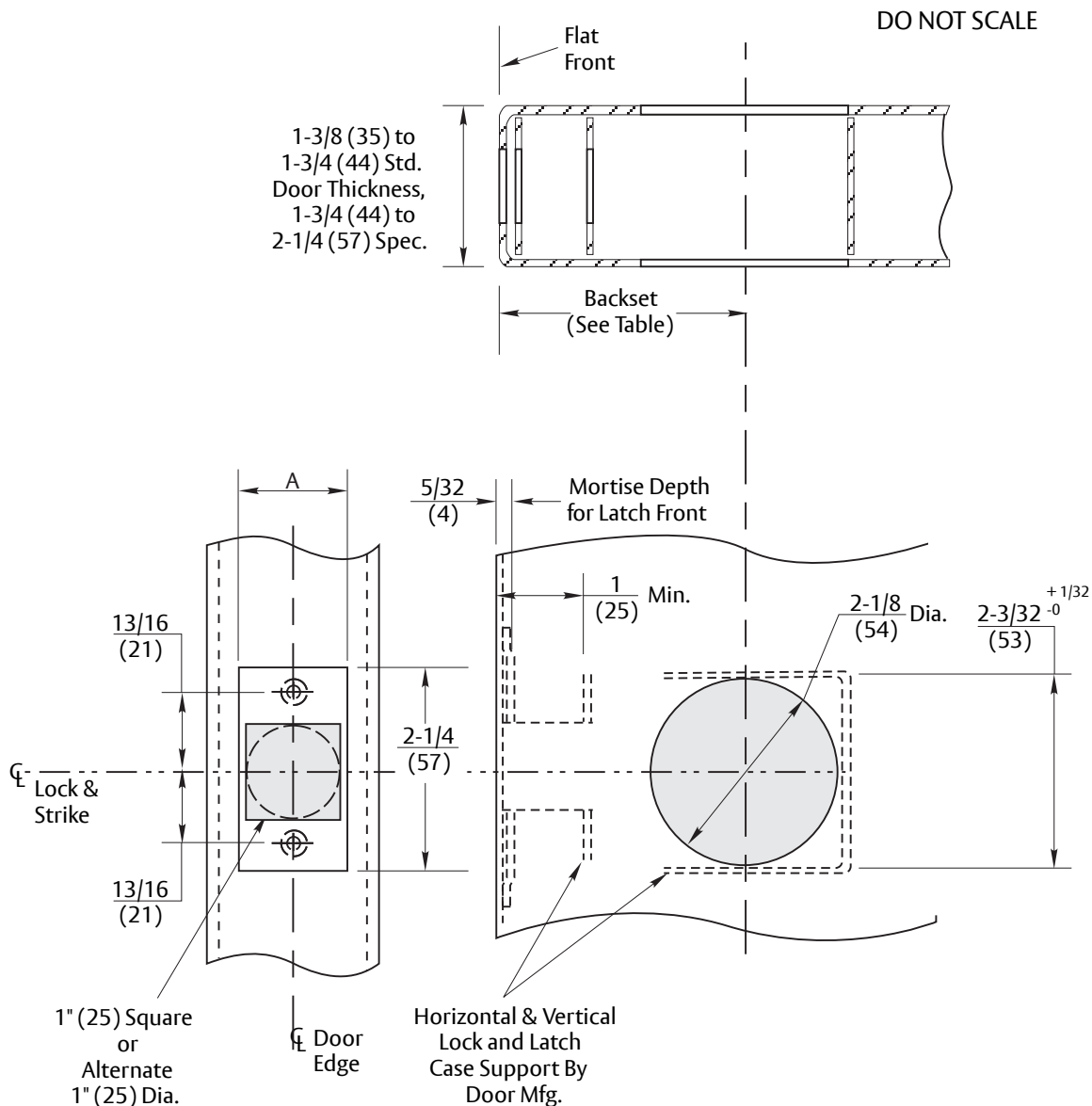


Notes:

1. When 4-7/8" (123.8) Strike is specified, refer to No. 497 Strike, Template No. 7102-0003.
2. When T- Strike is specified, refer to No. 371 Strike, Template 7102-0005.
3. Dimensions marked with \* have tolerances of +.015, -.000
4. All dimensions given in inches (mm).

RL SERIES Locks		
Backset	Latch No.	Front Dim. A
2-3/8 (60)	RLP38	1" (25)
2-3/4 (70)	RLP34	1-1/8" (29)



**RESPONSIBILITY**

DOOR AND FRAME MANUFACTURERS ARE RESPONSIBLE FOR PROVIDING ADEQUATE CONSTRUCTION OR REINFORCEMENTS FOR PROPER INSTALLATION OF HARDWARE SHOWN. ALL ARCHITECTURAL BUILDERS HARDWARE MUST BE INSTALLED ON PROPERLY REINFORCED DOORS AND FRAMES, REGARDLESS OF TYPE, MATERIAL, OR METHOD OF CONSTRUCTION.

**RL Series Tubular Locks**  
**1" and 1-1/8" Wide Flat Front H.M. Door Preparation (See ANSI/BHMA A156.115)**  
**2-3/4 and 2-3/8" Backset**  
**Contact us for support at 1-855-557-5078.**

**ASSA ABLOY**

SUPERSEDES	12/22	DO NOT SCALE DRAWING
TEMPLATE NUMBER	7150-0100	DATE 12-23