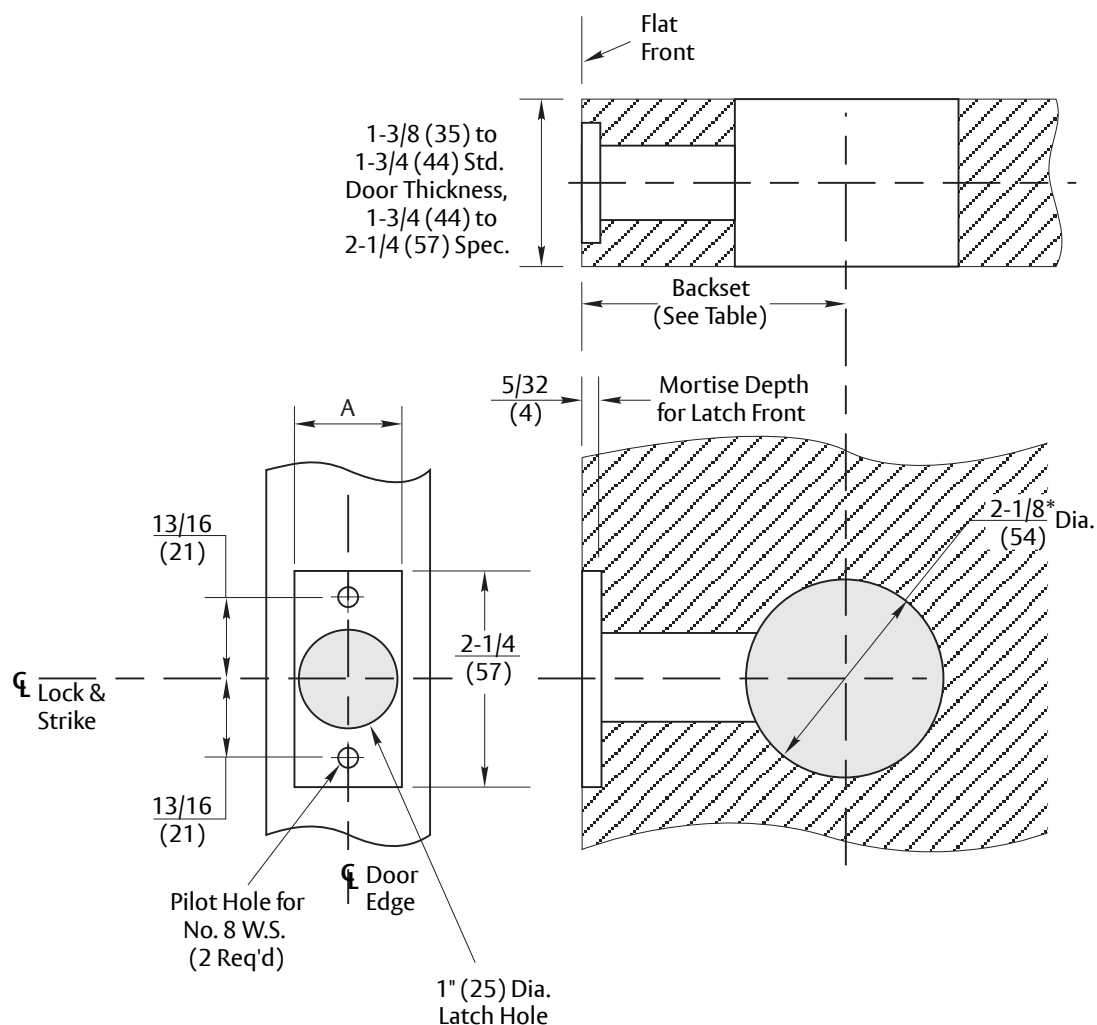


Notes:

1. When 4-7/8" (123.8) Strike is specified, refer to No. 497 Strike, Template No. 7102-0003.
2. When T- Strike is specified, refer to No. 371 Strike, Template 7102-0005.
3. Dimensions marked with * have tolerances of +1/32, -0.
4. All dimensions given in inches (mm).

RL SERIES Locks		
Backset	Latch No.	Front Dim. A
2-3/8 (60)	RLP38	1" (25)
2-3/4 (70)	RLP34	1-1/8" (29)

DO NOT SCALE



RESPONSIBILITY
 DOOR AND FRAME MANUFACTURERS ARE RESPONSIBLE FOR PROVIDING ADEQUATE CONSTRUCTION OR REINFORCEMENTS FOR PROPER INSTALLATION OF HARDWARE SHOWN. ALL ARCHITECTURAL BUILDERS HARDWARE MUST BE INSTALLED ON PROPERLY REINFORCED DOORS AND FRAMES, REGARDLESS OF TYPE, MATERIAL, OR METHOD OF CONSTRUCTION.

RL Series Tubular Locks
 1" and 1-1/8" Wide Flat Front Wood Door Preparation (See ANSI/BHMA A156.115)
 2-3/4" and 2-3/8" Backset
Contact us for support at 1-855-557-5078.

ASSA ABLOY

SUPERSEDES	12/22	DO NOT SCALE DRAWING
TEMPLATE NUMBER	7150-0101	DATE 12-23