



# Installation Instructions

# Security Door Closer

SCP400/SCP4400 Series

80-9344-0621-010 (06-09)



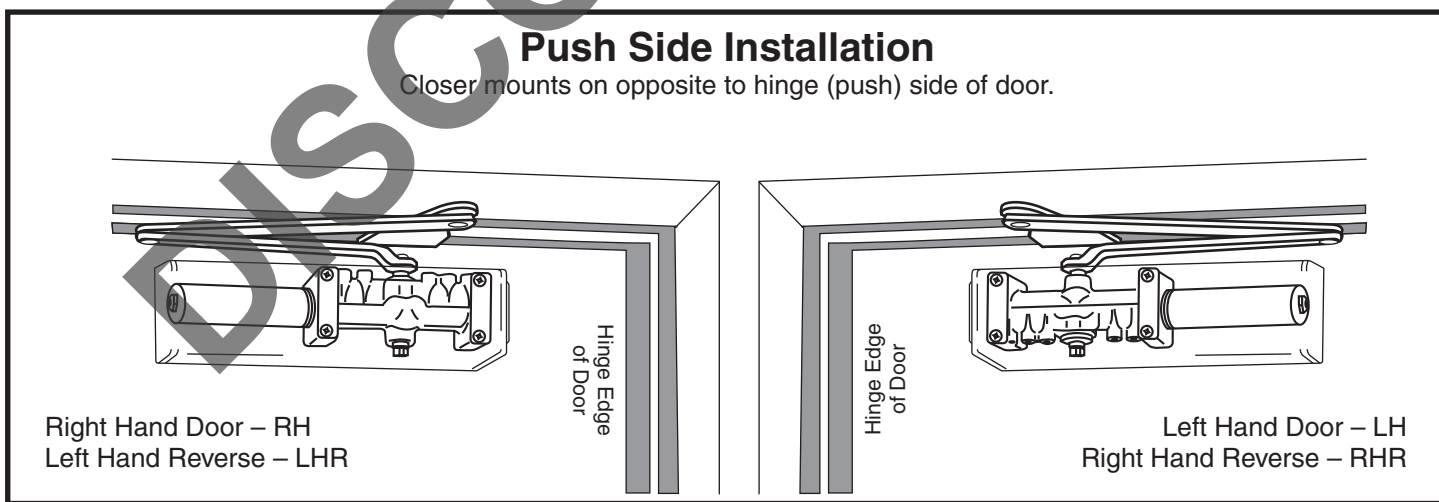
**CAUTION** An incorrectly installed or improperly adjusted door closer can cause property damage or personal injury. These instructions should be followed to avoid the possibility of misapplication or misadjustment. **CAUTION**

## Parallel Non Hold Open Arm

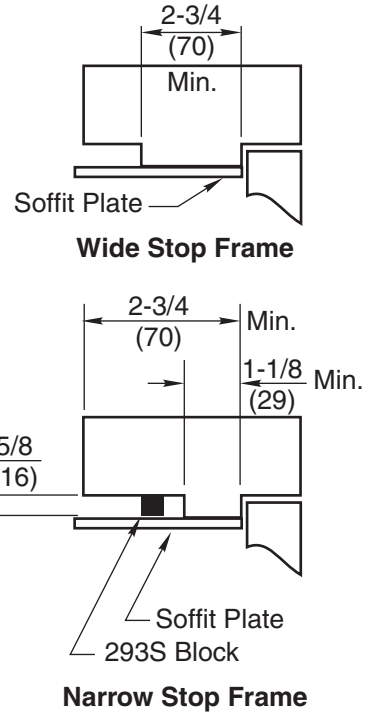
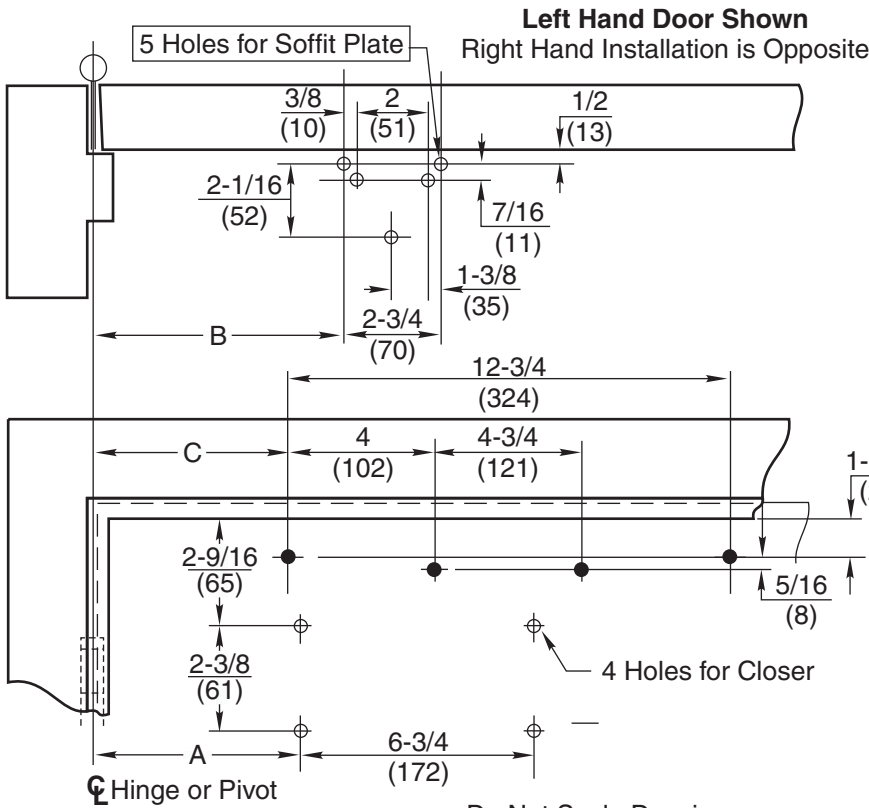
- For Hold Open function, consult factory or authorized representative
- For closers with or without “DL” suffix (Delayed Action) closing feature.

Series		Product Type
Sized* Closer	Multi-Sized ** Closer	
SCP400	SCP4400	<b>Security Door Closer</b> (Door Closer with both a Security Cover and Security Arm) 488 Drop Plate is available for doors with narrow top rails.
<p>* SCP400 Series are sized door closers with 50% power increase capability. Power size 2 weakest power, power size 6 strongest.</p> <p>** SCP4400 Series can be adjusted from power size 1 thru 6.</p>		

**Note:** For Special Applications a separate door and frame preparation template is packed with these instructions. Use this instruction sheet for installation sequence and closer adjustments only.



- **Security Door Closers only. Door closer cover is handed and cannot be reversed. All other components are non handed.**
- It is recommended that the door, on which the door closer will be installed, be hung on ball bearing hinges. Door must swing freely.
- A separate door stop, supplied by others, is recommended to prevent damage to the door closer, closer arm, or to the door, frame or adjacent walls.
- Door and Frame must be properly reinforced, or use of special fasteners employed, to prevent the mounting screws from pulling out.
- All dimensions are given in inches with corresponding metric dimensions (mm) in parenthesis.
- Torx tamper resistant drive screws are normally supplied with this product.



● Prepare These Holes Only When No. 488 Drop Plate is Used

Do Not Scale Drawing  
Left Hand Door Shown  
Dimensions are in inches (mm).  
Maximum Door Swing 180°,  
conditions permitting.

Opening	Dim. A		Dim. B		Dim. C	
	inches	mm	inches	mm	inches	mm
To 100°	8-5/8	219	9-1/8	232	8-3/8	213
101° to 120°	7-7/8	200	8-3/8	213	7-5/8	194
121° to 180°	6-3/4	171	7-1/4	184	6-1/2	165

Maximum Hinge width 5" (127) for doors swinging beyond 150 degrees.

Preparation for Fasteners			
Fasteners		Door or Frame	Drill-Sizes
Standard	#14 type "A" SM Screw Arm: 1-1/4" (32) Closer: 2-3/4" (70)	Wood	7/32" (5.5 mm)
	1/4" - 20 Machine Screw	Metal	Drill: #7 (0.201" dia.) Tap: 1/4" - 20
Optional	Sex Nuts and Bolts (SNB)	Hollow Metal	9/32" (7 mm); through 3/8" (9.5 mm) on door opposite to closer
	Through-bolts & grommet-nuts	Aluminum or Wood	3/8" (9.5 mm) through
		All	9/32" (7 mm); through 3/8" (9.5 mm) dia x 3/8" (9.5mm) deep on door opposite to closer

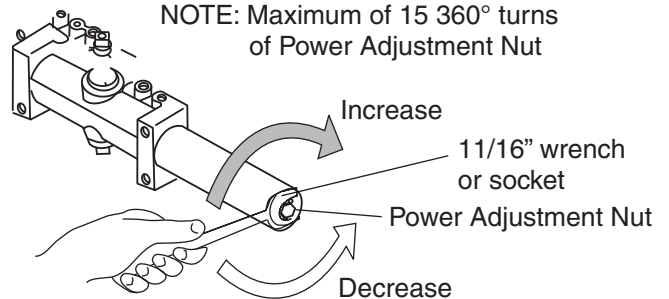
### • For SCP4400 Models Only

Set closer power for door size using chart below:

Power Adjustment Chart		
Door Size	Full Clockwise Turns of Closer Power Adjustment Nut	
	SCP4400 ONLY	
inches (mm)	Interior Door	Exterior Door
28-32 (0.7 - 0.8)	0	2
33-36 (0.85 - 0.9)	2	5
37-42 (0.95 - 1.05)	5	8
42-48 (1.1 - 1.2)	8	11

Closer is shipped set at median power setting.

NOTE: Maximum of 15 360° turns of Power Adjustment Nut

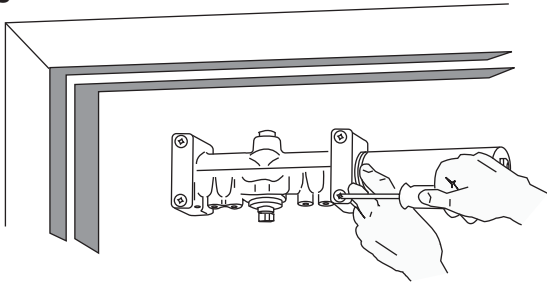


## Installation Sequence

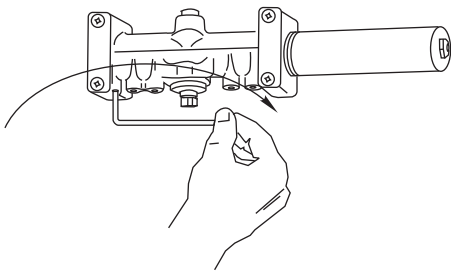
- Use template above to locate holes on door and frame:  
4 on door for closer or backplate.  
5 on underside of frame stop for soffit plate.
- Prepare door and frame for fasteners using chart above.

## Installation Sequence (Con't)

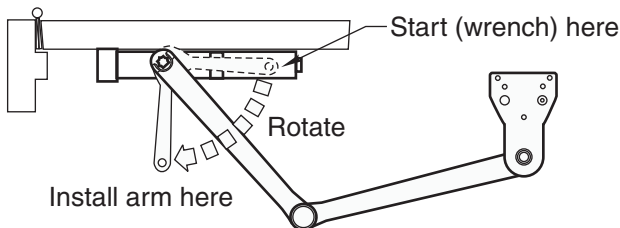
- **Mount closer on door.** (A drop plate is available for use on doors having narrow top rails) **Power Adjustment Nut** should be away from hinge. Valves are **DOWN** for **Left Hand Door**. Valves are **UP** for **Right Hand Door**.



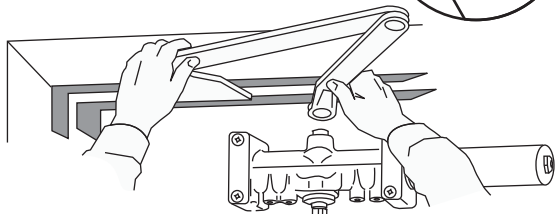
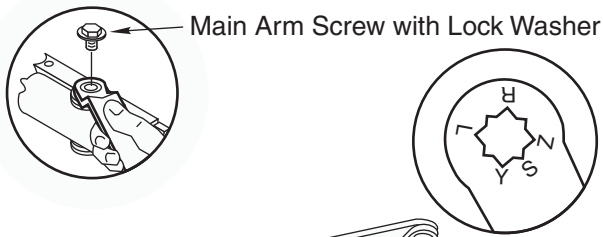
- Use 1/8" hex wrench to close valves. Turn Clockwise. For **STANDARD CLOSER**, close valves 'S/D' and 'L'. **DELAYED ACTION CLOSER**, close valves 'S' and 'L'.



- With door closed, use wrench to rotate pinion shaft as illustrated below. **Caution: Closer arm is under spring tension and may be difficult to rotate.**

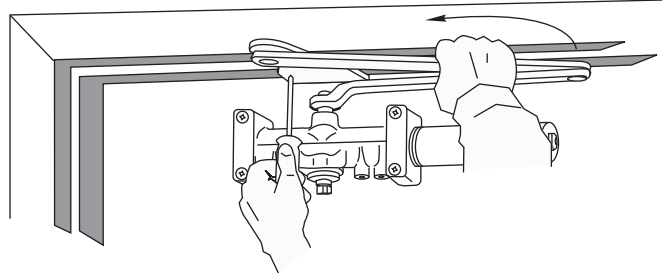


- **Place main arm on shaft**, aligning mark on arm with pinion flat on pinion shaft; "Z" for Left Hand Door; "Y" for Right Hand Door. Secure with 1/4-20 x 1/2 (13) round head machine screw with lock washer.

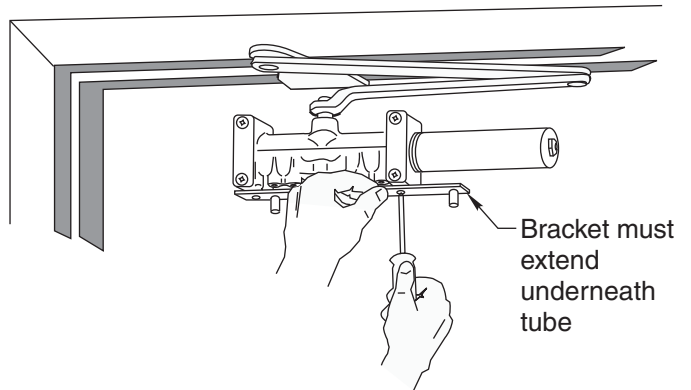


**CAUTION!** DO NOT BACK VALVES OUT OF CLOSER OR A LEAK WILL RESULT

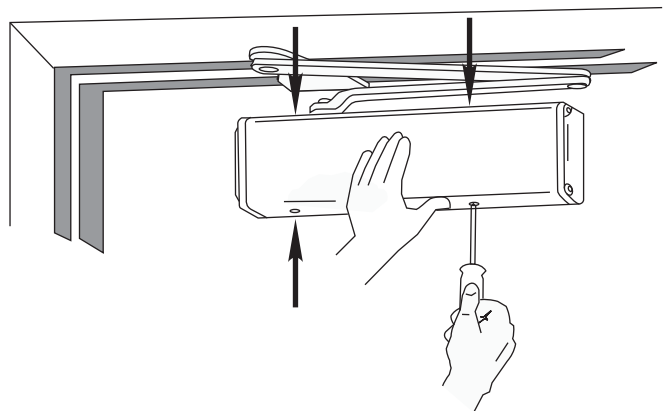
- Reopen valves closed in Step 2. Turn Counterclockwise
- With door closed, align soffit plate with mounting holes in frame. Fasten soffit plate to frame with flat head screws provided.



- **Install Cover:**  
**Security closers only, (SCP400/SCP4400)** Install cover bracket to closer body. (See Illustration below). Fasten bracket with 2 #8-32 x 5/16 RHMS screws provided.



Fasten cover to closer and cover bracket with 4 #8-32x1/4 round head screws provided.



# Unit Adjustment

## Closing Speed Controls (Figure 1A or 1B And 2.)

### Standard Closer Only

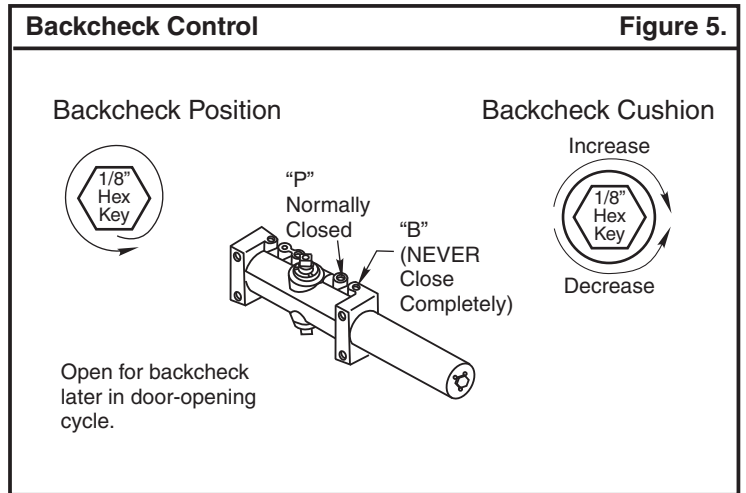
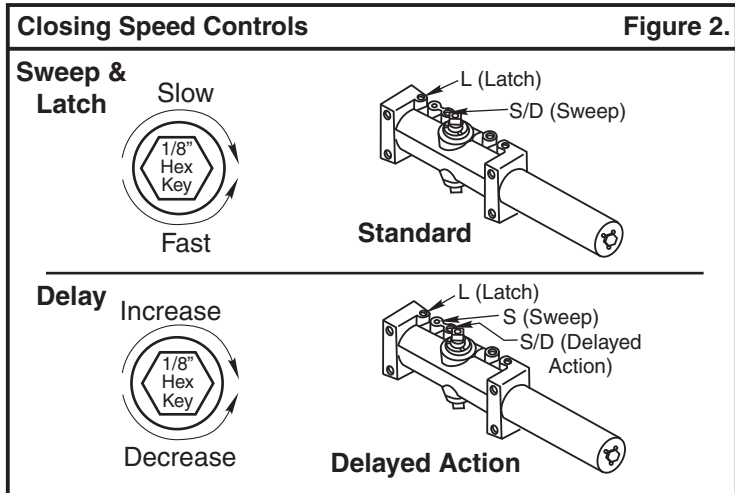
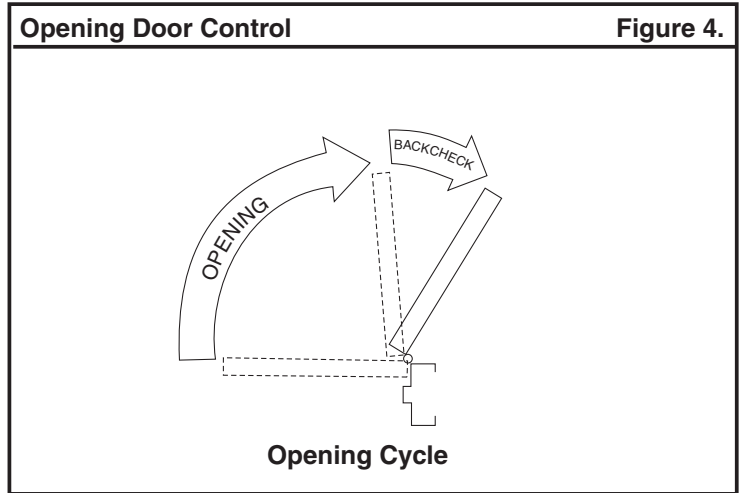
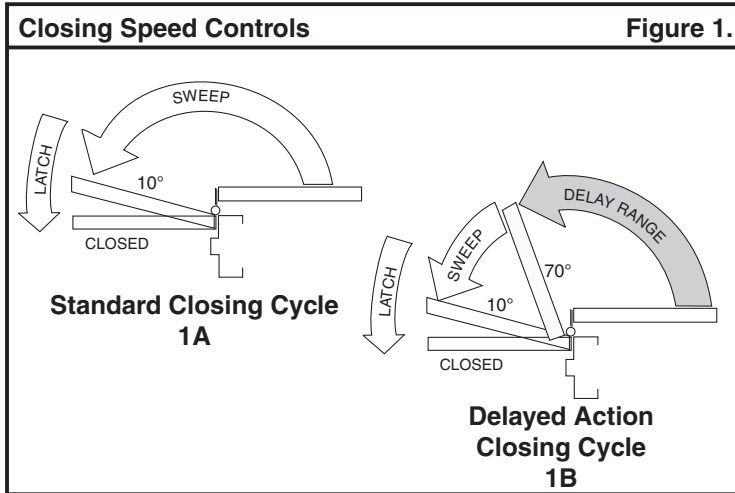
- Valve "S/D" Controls Sweep Range.
- Valve "L" Controls Latch Range.

### Delayed Action Closer Only

- Valve "S/D" Controls Delay Range.
- Valve "S" Controls Sweep Range.
- Valve "L" Controls Latch Range.

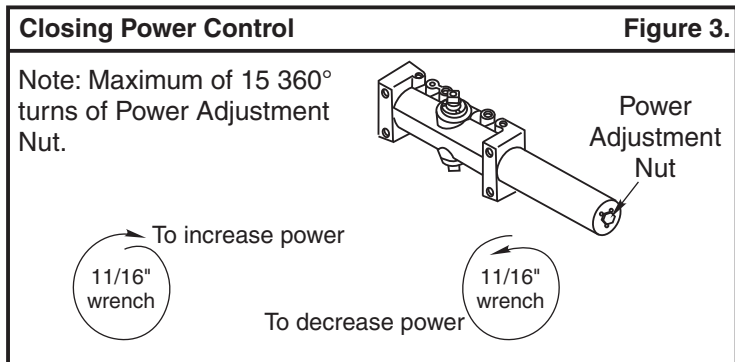
## Opening Door Control (Figure 4.)

- Backcheck ("B") valve controls the hydraulic resistance to door opening. NEVER close this valve completely – it is not to provide a positive stop.
- Backcheck position ("P") valve controls the door angle where backcheck cushioning starts. Valve normally closed.



## Closing Power Adjustment (Figure 3.)

- Adjust as required.





**An ASSA ABLOY Group brand**

3000 Highway 74 East • Monroe, NC 28112  
Tel: (800)-438-1951 • Fax: (800)-338-0965  
www.yalecommercial.com