



SCP4020/SCP4420 Series

Installation Instructions

80-9344-0625-010 (06-09)

Holder-Stop
Security Door Closer



CAUTION An incorrectly installed or improperly adjusted door closer can cause property damage or personal injury. These instructions should be followed to avoid the possibility of misapplication or misadjustment. **CAUTION**

Parallel Non Hold Open or Hold Open Arm

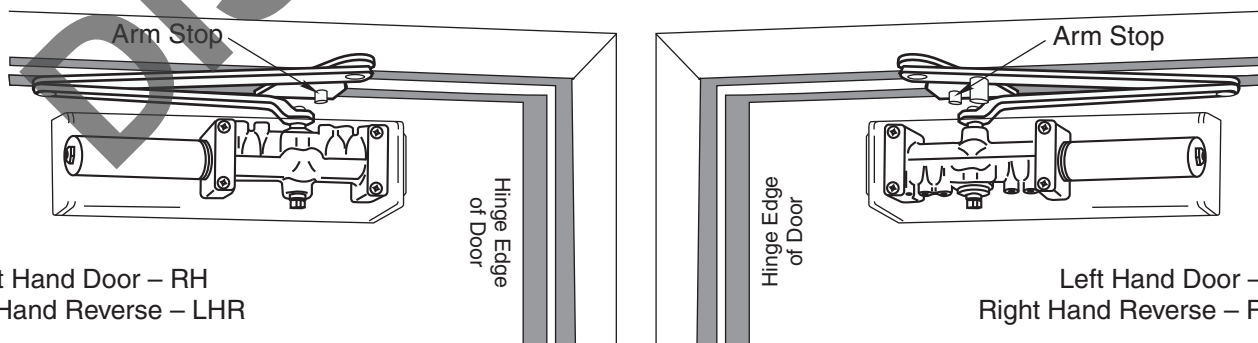
- For closers with or without “T” suffix Hold Open Control
“T” indicates Thumbturn actuated hold open control.
- For closers with or without “DL” suffix (Delayed Action) closing feature.

Series		Product Type
Sized* Closer	Multi-Sized ** Closer	
SCP4020	SCP4420	Security Door Closer (Door Closer with both a Security Cover and Security Arm) 488 Drop Plate is available for doors with narrow top rails.
<p>* SCP4020 Series are sized door closers with 50% power increase capability. Power size 2 weakest power, power size 6 strongest.</p> <p>** SCP4420 Series can be adjusted from power size 1 thru 6.</p>		

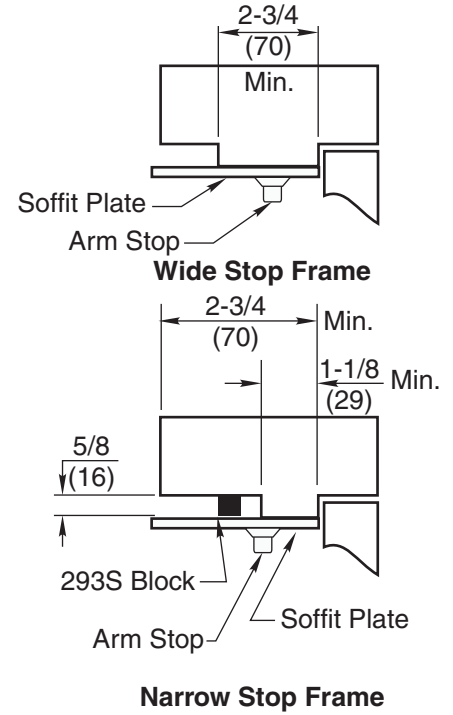
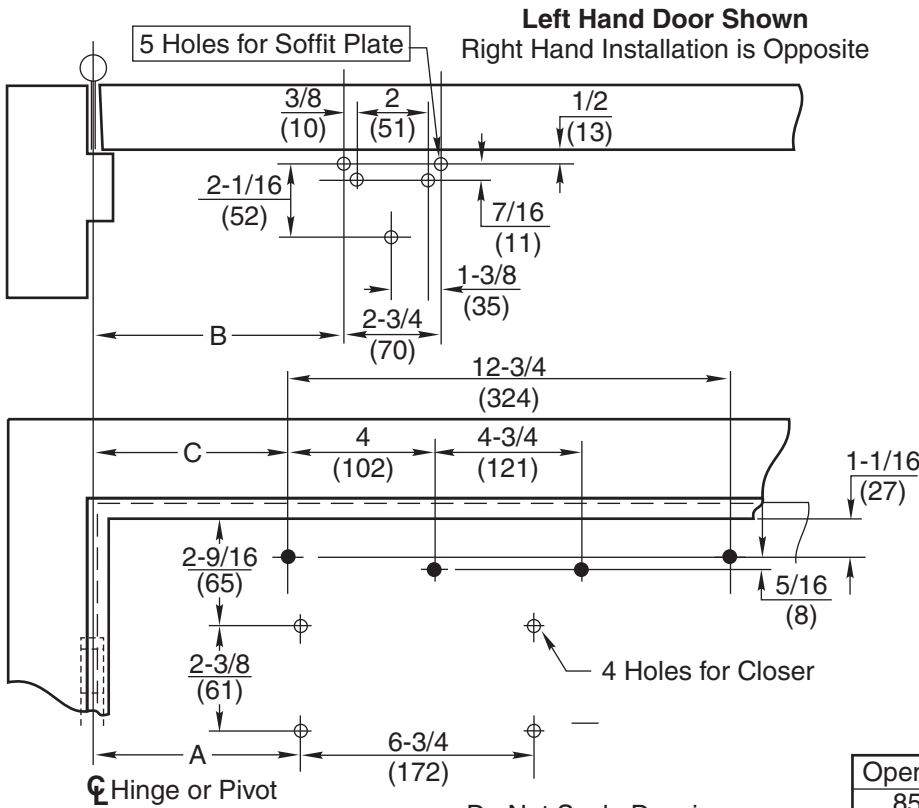
Note: For Special Applications a separate door and frame preparation template is packed with these instructions. Use this instruction sheet for installation sequence and closer adjustments only.

Push Side Installation

Closer mounts on opposite to hinge (push) side of door.



- **Security Door Closers only. Door closer cover is handed and cannot be reversed. All other components are non handed.**
- It is recommended that the door, on which the door closer will be installed, be hung on ball bearing hinges. Door must swing freely.
- A separate door stop, supplied by others, is recommended to prevent damage to the door closer, closer arm, or to the door, frame or adjacent walls.
- Door and Frame must be properly reinforced, or use of special fasteners employed, to prevent the mounting screws from pulling out.
- All dimensions are given in inches with corresponding metric dimensions (mm) in parenthesis.
- Torx tamper resistant drive screws are normally supplied with this product.



Opening	Dim. A	Dim. B	Dim. C
85°	10-1/8 (257)	10-5/8 (270)	9-7/8 (251)
90°	9-1/4 (235)	9-3/4 (248)	9 (229.6)
95°	8-5/8 (219)	9-1/8 (232)	8-3/8 (213)
100°	7-7/8 (200)	8-3/8 (213)	7-5/8 (194)
105°	7-3/8 (187)	7-7/8 (200)	7-1/8 (181)
110°	6-3/4 (171)	7-1/4 (184)	6-1/2 (165)

● Prepare These Holes Only When No. 488/478 Drop Plate is Used

Do Not Scale Drawing
Left Hand Door Shown
Dimensions are in inches (mm).
Maximum Door Swing 180°,
conditions permitting.

Preparation for Fasteners			
	Fasteners	Door or Frame	Drill-Sizes
Standard	Self Drilling Screw	Aluminum or Metal	No drill required
		Wood	3/16" (4.30 mm)
	1/4" - 20 Machine Screw	Metal	Drill: #7 (0.201" dia.) Tap: 1/4" - 20
Optional	Sleeve Nuts and Bolts (SNB)	Hollow Metal	9/32" (7 mm); through 3/8" (9.5 mm) on door opposite to closer
		Aluminum or Wood	3/8" (9.5 mm) through
	Through-bolts & grommet-nuts	All	9/32" (7 mm); through 3/8" (9.5 mm) dia x 3/8" (9.5mm) deep on door opposite to closer

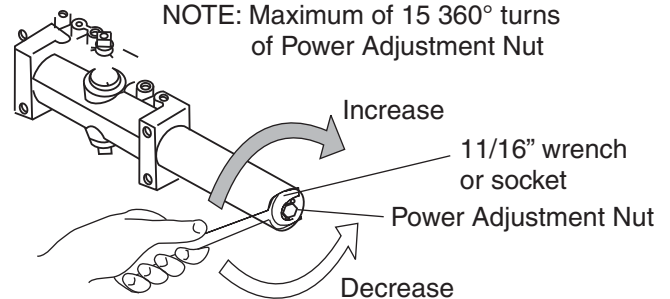
• For SCP4420 Models Only

Set closer power for door size using chart below:

Power Adjustment Chart		
Door Size inches (mm)	Full Clockwise Turns of Closer Power Adjustment Nut	
	SCP4420 ONLY	
	Interior Door	Exterior Door
28-32 (0.7 - 0.8)	0	2
33-36 (0.85 - 0.9)	2	5
37-42 (0.95 - 1.05)	5	8
42-48 (1.1 - 1.2)	8	11

Closer is shipped set at median power setting.

NOTE: Maximum of 15 360° turns of Power Adjustment Nut

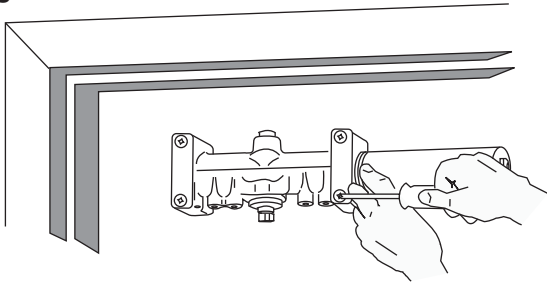


Installation Sequence

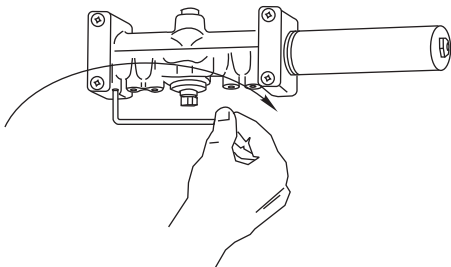
- Use template above to locate holes on door and frame:
4 on door for closer or backplate.
5 on underside of frame stop for soffit plate.
- Prepare door and frame for fasteners using chart above.

Installation Sequence (Con't)

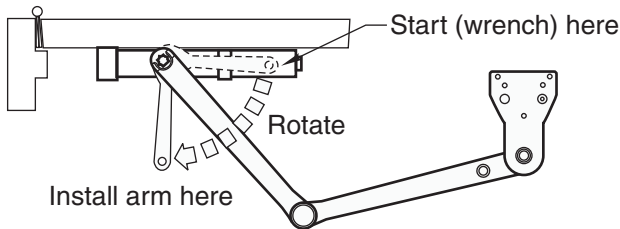
- **Mount closer on door.** (A drop plate is available for use on doors having narrow top rails) **Power Adjustment Nut** should be away from hinge. Valves are **DOWN** for **Left Hand Door**. Valves are **UP** for **Right Hand Door**.



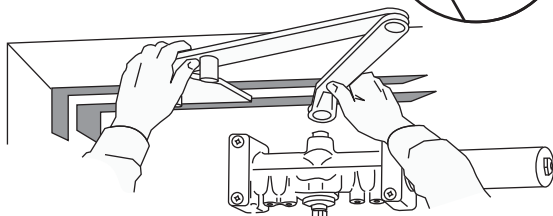
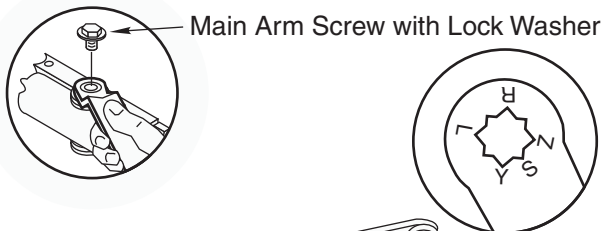
- Use 1/8" hex wrench to close valves. Turn Clockwise. For **STANDARD CLOSER**, close valves 'S/D' and 'L'. **DELAYED ACTION CLOSER**, close valves 'S' and 'L'.



- Set handing of "Arm Stop" on soffit plate. See illustration on Page 1 for positions. If required, rotate stop. Secure with 1/4-20 x 5/16 machine screw.
- With door closed, use wrench to rotate pinion shaft as illustrated below.
Caution: Closer arm is under spring tension and may be difficult to rotate.

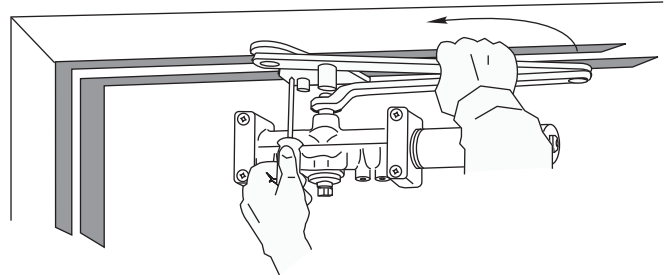


- **Place main arm on shaft**, aligning mark on arm with pinion flat on pinion shaft; "Z" for Left Hand Door; "Y" for Right Hand Door. Secure with 1/4-20 x 1/2 (13) round head machine screw with lock washer.

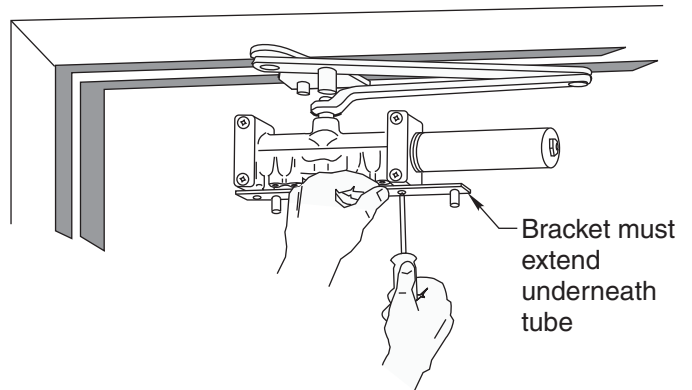


CAUTION! DO NOT BACK VALVES OUT OF CLOSER OR A LEAK WILL RESULT

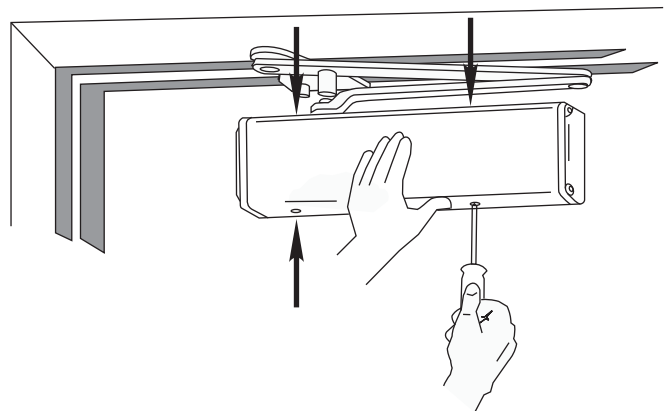
- Reopen valves closed in Step 2. Turn Counterclockwise
- With door closed, align soffit plate with mounting holes in frame. Fasten soffit plate to frame with flat head screws provided.



- **Install Cover:**
Security closers only, (SCP4420/SCP4020) Install cover bracket to closer body. (See illustration below). Fasten bracket with 2 #8-32 x 5/16 RHMS screws provided.



Fasten cover to closer and cover bracket with 4 #8-32x1/4 round head screws provided.



Unit Adjustment

Closing Speed Controls (Figure 1A or 1B And 2.)

Standard Closer Only

- Valve "S/D" Controls Sweep Range.
- Valve "L" Controls Latch Range.

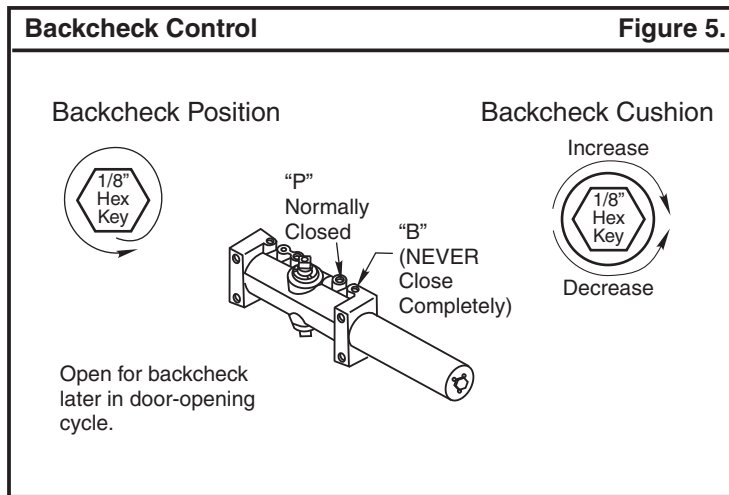
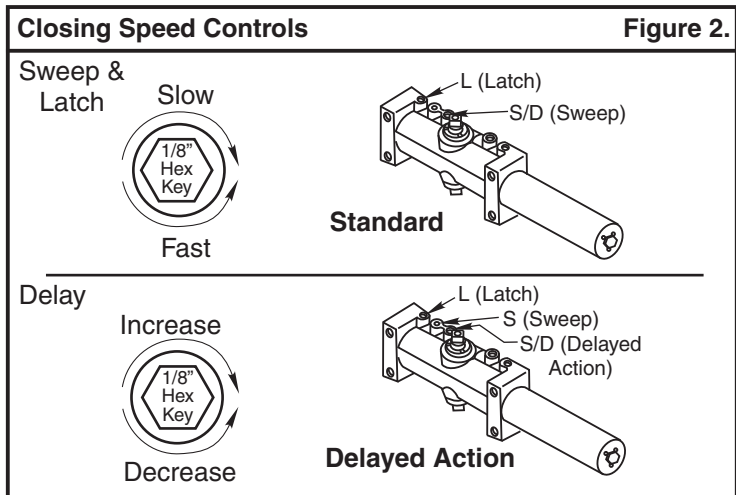
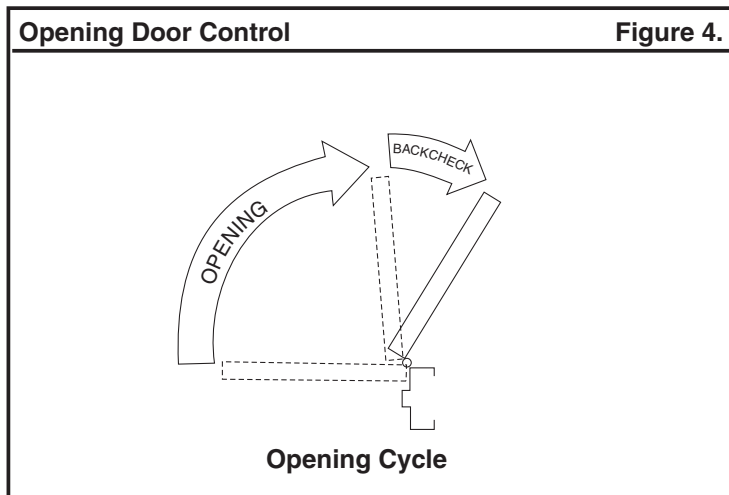
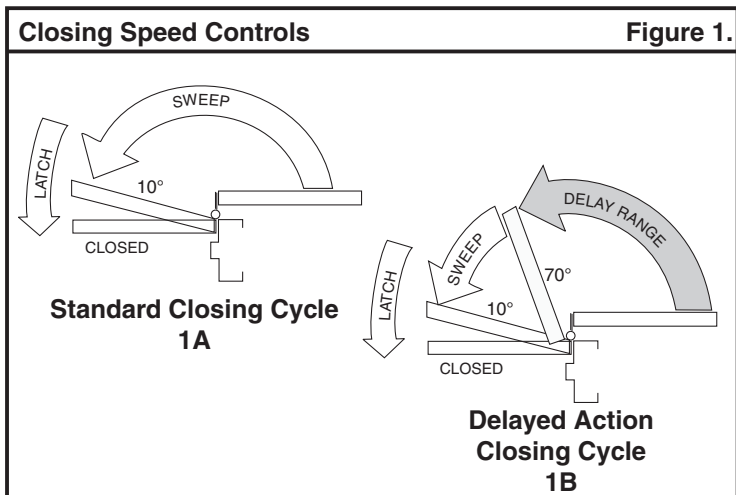
Delayed Action Closer Only

- Valve "S/D" Controls Delay Range.
- Valve "S" Controls Sweep Range.
- Valve "L" Controls Latch Range.

Opening Door Control (Figure 4.)

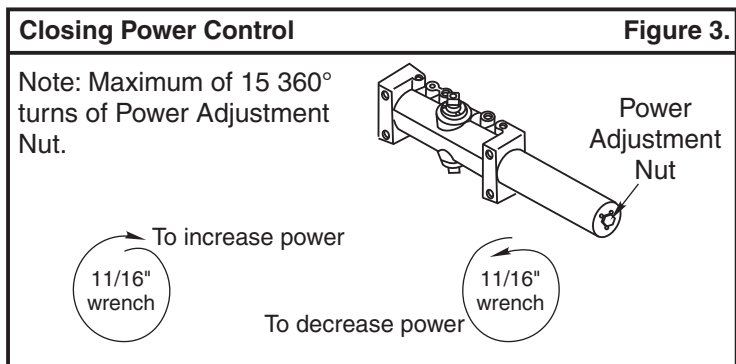
- Backcheck ("B") valve controls the hydraulic resistance to door opening. NEVER close this valve completely – it is not to provide a positive stop.

- Backcheck position ("P") valve controls the door angle where backcheck cushioning starts. Valve normally closed.



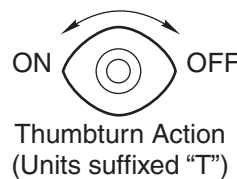
Closing Power Adjustment (Figure 3.)

- Adjust as required.



Door Holder Option

The Hold-Open feature is controlled by the knob located on the arm of the unit. A quarter turn of this knob engages or disengages the Hold-Open mechanism.



Yale

An ASSA ABLOY Group brand

3000 Highway 74 East • Monroe, NC 28112
Tel: (800)-438-1951 • Fax: (800)-338-0965
www.yalecommercial.com