

Installation Template (Trim)

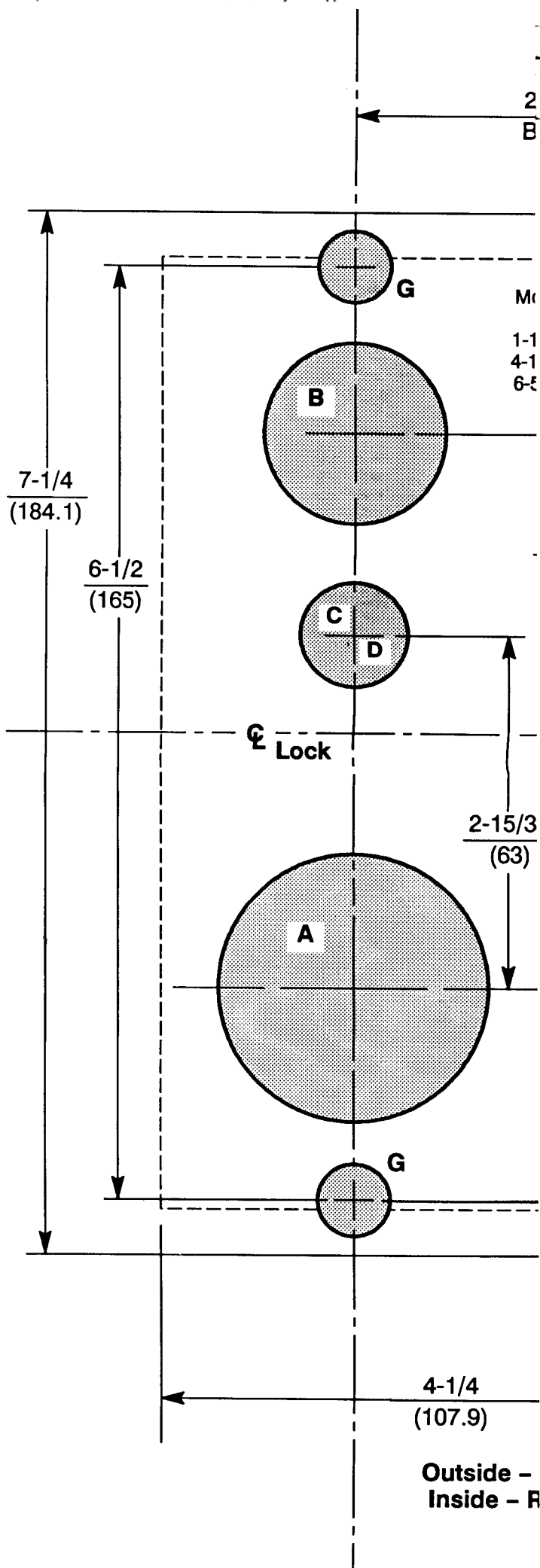
80-8086-0005-010 (5-94)

Yale® Mortise Locks SL8700 Series

Lock Function	Holes In Door	
	Outside	Inside
SL8700		
8701 8770DT 8771DT 8772DT 8780 8781 8784 836A & B 838A & B	A, G	A, G
8702	A, C, G	A, C, G
8705 8707 8708	A, B, G	A, G
8790 8791	A, B*, G	A, B*, G
8717-2 8730-2 8760-2 8794-2 8795-2	A, B, G	A, B, G
8720 8727	A, B, D, G	A, C, G
8722 8732 8747 8760 8767	A, B, G	A, C, G

* Lock can be mounted with cylinder outside or inside. Check for proper application.

Hole Chart			
Hole	Size		Used For
	H.M. Door	Wood Door	
A	1-7/8 (48) Dia.	1-7/8 (48) Dia.	Lever
B	1-1/4 (32) Dia.	1-1/4 (32) Dia.	Cylinder
C	3/4 (19) Dia.	3/4 (19) Dia.	Thumbturn or Emergency Key
D	3/4 (19) Dia.	3/4 (19) Dia.	Hotel Indicator
G	1/2 (13) Dia.	1/2 (13) Dia.	Escutcheon Plate Thru Bolts



Outside -
Inside - R

