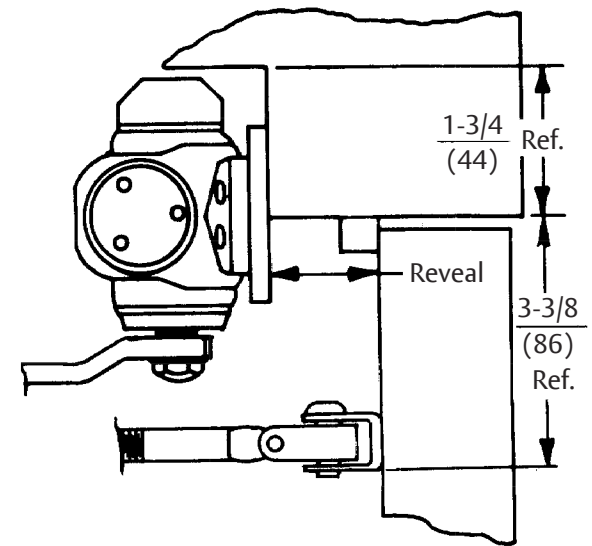


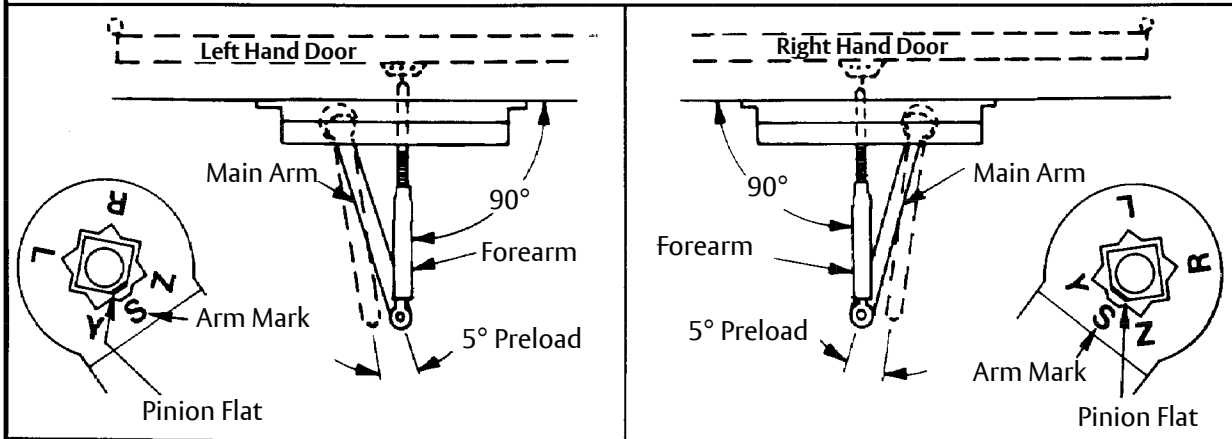
Opening	Dim. "A"	
	inches	mm.
To 100°	7-1/2	191
101° to 130°	6	152
131° to 180°	4-1/2	114

*Door opening to 180° conditions permitting.



- Do not scale drawing.
- Left hand door shown.
- Dimensions: inches / (mm).
- Hollow metal doors require channel or box type reinforcement when through bolt mount is specified.
- Sex bolts may be required for wood or plastic faced fire door mounting.
- Minimum thickness recommended for reinforcements in hollow metal doors and frames: .104" (2.66 mm.) unless otherwise noted.
- Use regular length rod for reveals to 3" (76 mm.). Use long rod for reveals 2-3/4" (70mm.) to 6-3/4" (171 mm.).

Position Of Arm And Pinion Flat



Experience a safer and more open world

Copyright © 2003, 2023, ASSA ABLOY Access and Egress Hardware Group, Inc. All rights reserved. Reproduction in whole or in part without the express written permission of ASSA ABLOY Access and Egress Hardware Group, Inc. is prohibited.

(TJ) 3000 Series Door Closer with 3146 Back Plate for Low Ceiling Clearance Top Jamb Application with Non Hold Open Arm Series (TJ) 3100, (TJ) 3300, (TJ) 3500 Individually Sized Units 2 thru 6 and Multi-size Units 1 & 1BF

Template Number: 7303-0151
Sheet: 1 of 1
Date: 12/23

ASSA ABLOY

1-855-557-5078
www.assaabloy.com