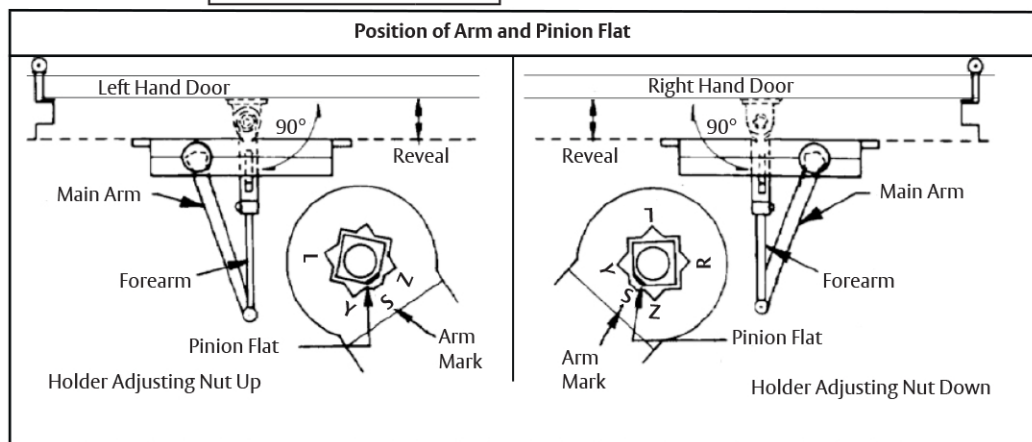


Opening	Dimensions "A"	
	Inches	mm
To 100°	7-1/2	191
101° to 130°	6	152
131° to 180°*	4-1/2	114

*Door openings to 180° conditions permitting



- Do not scale drawing.
- Left hand door shown.
- Dimensions are in inches (mm) unless otherwise noted.
- Hollow metal doors require channel or box type reinforcement when thru bolt mount is specified.
- Sex bolts may be required for wood or plastic faced fire door mounting.
- Minimum thickness recommended for reinforcements in hollow metal doors and frames: .1046" (2.66mm) unless otherwise noted.
- Use regular length rod for reveals to 3" (76mm.).
- Hold Open Arms are not permitted to be used on fire doors.

Experience a safer and more open world

Copyright © 2010, 2024, ASSA ABLOY Access and Egress Hardware Group, Inc. All rights reserved. Reproduction in whole or in part without the express written permission of ASSA ABLOY Access and Egress Hardware Group, Inc. is prohibited.

(TJ)3010 Series Door Closers With 3158 Drop Plate
Top Jamb Hold Open Arm Application
Series (TJ)3110, (TJ)3310, and (TJ)3510
Sized and Multi-size Units

Template Number:
7303-0156
Sheet: 1 of 1
Date: 01/24

ASSA ABLOY

1-855-557-5078
www.assaabloy.com