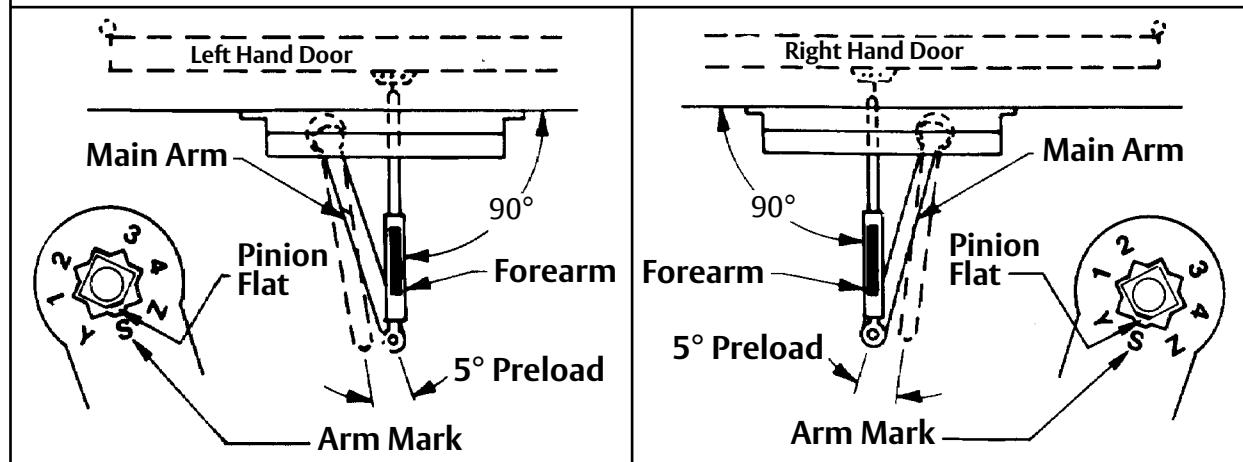


- Do not scale drawing.
- Left hand door shown.
- Dimensions are in inches / (mm).
- Hollow metal doors require channel or box type reinforcement when thru bolt mount is specified.
- Sex bolts may be required for wood or plastic faced fire door mounting.
- Minimum thickness recommended for reinforcements in hollow metal doors and frames: 0.1046" (2.66mm) unless otherwise noted.
- Use regular length rod for reveals to 3" (76mm). Use long rod for reveals 2-3/4" (70mm) to 6-3/4" (171mm).

**Position of Arm and Pinion Flat**



Experience a safer and more open world

Copyright © 2003, 2023, ASSA ABLOY Access and Egress Hardware Group, Inc. All rights reserved. Reproduction in whole or in part without the express written permission of ASSA ABLOY Access and Egress Hardware Group, Inc. is prohibited.

(TJ)3080 Series Door Closer with 3146 Back Plate  
 Top Jamb Application with Low Profile Non Hold Open Arm  
 Series (TJ)3180, (TJ)3380, (TJ)3580  
 Individually Sized Units 2 thru 6 and Multi-size Units 1 & 1BF

Template Number:  
 7303-0161  
 Sheet: 1 of 1  
 Date: 12/23

**ASSA ABLOY**

1-855-557-5078  
 www.assaabloy.com