

988Y

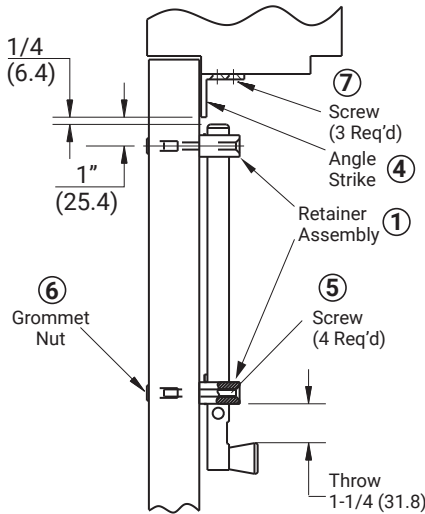
Surface Bolt

Installation Instructions

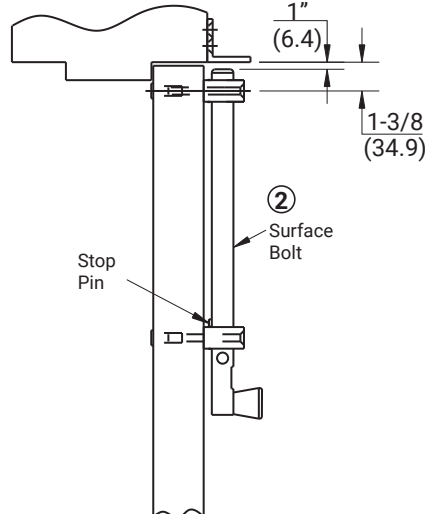


Top Of Door Mounting

**Frame Stop Mounting
(Push Side)**
Figure 1a

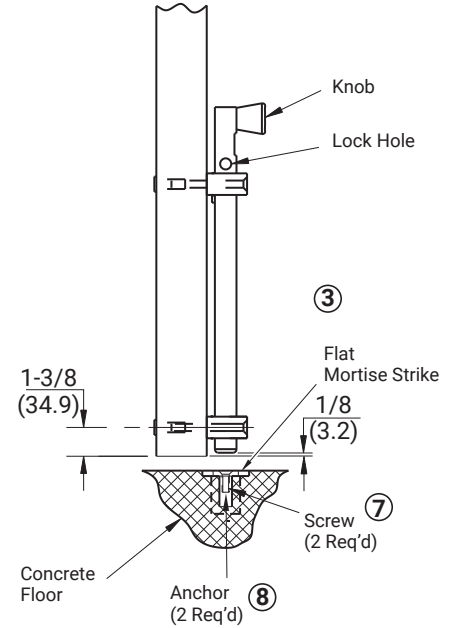


**Frame Surface Mounting
(Pull Side)**
Figure 1b



Bottom Of Door Mounting

Figure 2



Item	Description	Qty.
1	Retainer	2
2	Surface Bolt	1
3	Flat Mortise Strike	1
4	Angle Strike	1
5	Screw, 1/4-20 x2-5/8"	4
6	Grommet Nut	4
7	Screw, 1/4-20 x 3/4"	3
8	Anchor	2

NOTE: Parts used depend on mouting application.

⚠ WARNING

This product can expose you to lead which is known to the state of California to cause cancer and birth defects or other reproductive harm. For more information go to www.P65warnings.ca.gov.

⚠ WARNING

Attention Installer: Any retrofit or other field modification to a fire rated opening can potentially impact the fire rating of the opening, and ASSA ABLOY makes no representations or warranties concerning what such impact may be in any specific situation. When retrofitting any portion of an existing fire-rated opening, or specifying and installing a new fire-rated opening, please consult with a code specialist or local code official (Authority Having Jurisdiction) to ensure compliance with all applicable codes and ratings.

1-855-557-5078 Ext. 2 • www.accentra-assaabloy.com

80-8470-0988-000 04/24

Installation Instructions

Strike Mounting:

- Determine if bolt is to be mounted at top (Fig 1) or bottom (Fig 2) of door.
- A 2-3/4" backset is recommended.

Top of Door (Frame mounted strike, Fig 1a):

1. Locate strike on frame as shown and mark hole locations.
2. Drill and tap for 1/4-20 machine screws. (#8 drill and 1/4-20 tap are required.)
3. Secure strike with three 1/4-20 x 3/4" screws supplied.

Bottom Of Door (Floor mounted strike, Fig 2):

1. 1-1/8" dia x 1-1/2" deep hole is required in floor to accept surface bolt.
2. Mark and drill two, 7/16" dia. x 1-1/4" deep holes for strike anchors.
3. Secure the strike with two anchors and 1/4- 20 x 3/4" screws supplied.

Surface Bolt Mounting (Fig 1b):

1. Slide the knob end retainer to the stop pin.
2. Locate surface bolt and retainers on door as shown and mark location of through-bolts.
3. Check bolt alignment in strike before drilling holes.
4. Drill four 9/32" dia. holes through door.
5. Open holes for grommet nuts on opposite side of door using "V" size drill.
6. Secure retainers to the door using grommet nuts and 1/4-20 x 2-5/8" screws supplied.
7. See template 7601-0010 for alternate mounting locations.