

# 6000 & 7000

## Series Accessories

### Installation Instructions

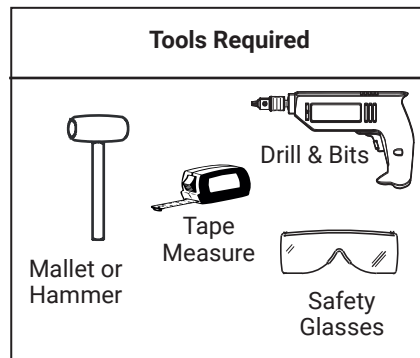
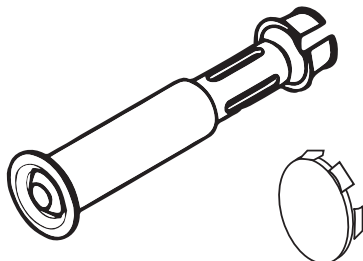
# ACCENTRA

---

# ASSA ABLOY

### Thermal Pin

For use on 6000 Series -6160(F), 6170(F) and 7000 Series -7160(F), 7170(F) Fire Rated Doors with Less Bottom Rod (LBR)

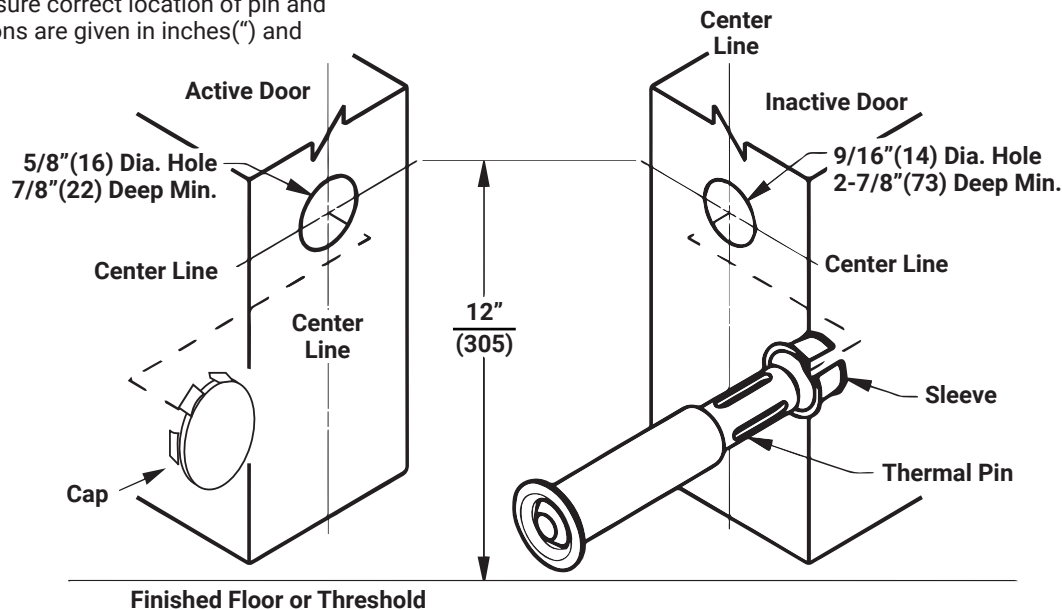


#### NOTES:

- This device is designed to be installed horizontally between door leafs or vertically between door leaf and finished floor.
- This device may be installed on single or double doors.
- Extreme heat will activate this device.
- Install door(s) per the manufactures' instructions. The doors should be square and plumb and have the correct gaps between the door(s) and finished floor.
- Note dimensions on figures to ensure correct location of pin and cap. Figures not to scale. Dimensions are given in inches(") and millimeters(mm).

#### For Horizontal Installation Between Door Leafs:

1. Drill 5/8"(16) diameter hole as shown in "Active" leaf of door edge. Install cap (plug). (Do not install in stationary door).
2. Drill 9/16"(14) diameter hole as shown in "Inactive" leaf of door edge. Chisel out debris to smooth.



#### WARNING

This product can expose you to lead which is known to the state of California to cause cancer and birth defects or other reproductive harm. For more information go to [www.P65warnings.ca.gov](http://www.P65warnings.ca.gov).

#### WARNING

Attention Installer: Any retrofit or other field modification to a fire rated opening can potentially impact the fire rating of the opening, and ASSA ABLOY makes no representations or warranties concerning what such impact may be in any specific situation. When retrofitting any portion of an existing fire-rated opening, or specifying and installing a new fire-rated opening, please consult with a code specialist or local code official (Authority Having Jurisdiction) to ensure compliance with all applicable codes and ratings.

1-855-557-5078 Ext. 2 • [www.accentra-assaabloy.com](http://www.accentra-assaabloy.com)

80-8470-0731-000 04/24

## For Horizontal Installation Between Door Leafs:

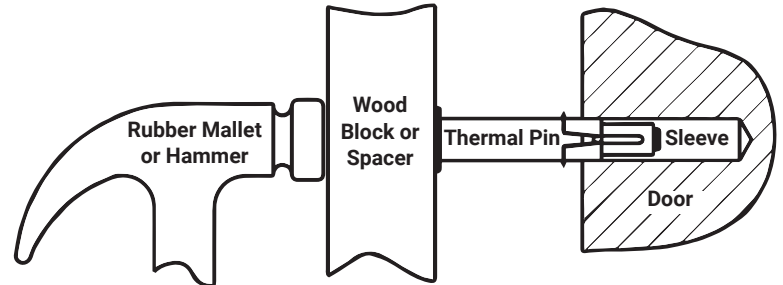
### 3. Install thermal pin as follows:

- METAL DOORS: First insert sleeve into door then insert pin. Use a wood block as spacer, gently tap pin into door until flush with edge.

- WOOD DOORS: First insert sleeve into pin, then insert into door. Use a wood block as spacer, gently tap combined pin and sleeve into door until flush with edge.

### 4. Install cap plug.

## Horizontal Installation



## Complete Installation

