

Trim and Spindle Assembly Interchange

for Wood Door with Metal Edge Application

ASSA ABLOY

Installation Instructions

Wood Door with Metal Edge

Supplemental Instructions for Spindle Assembly Interchange

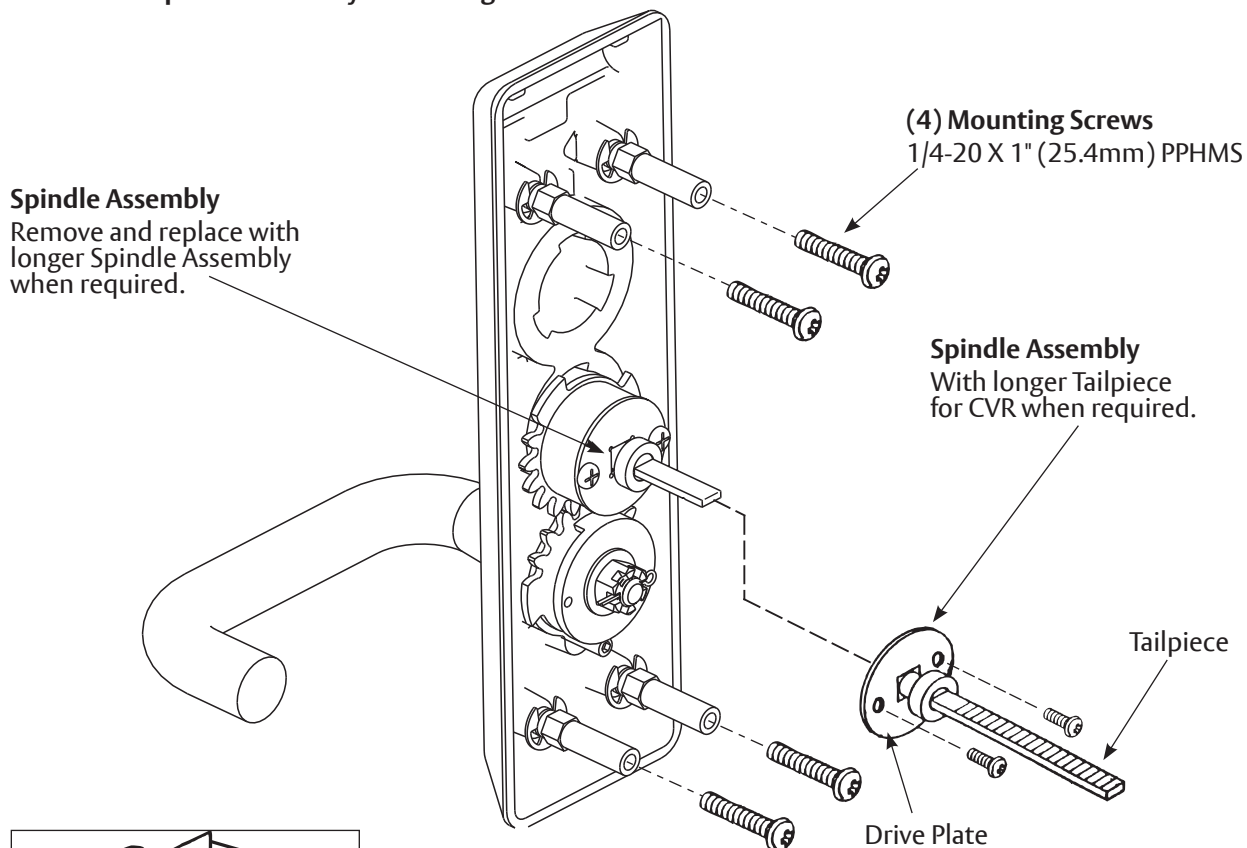
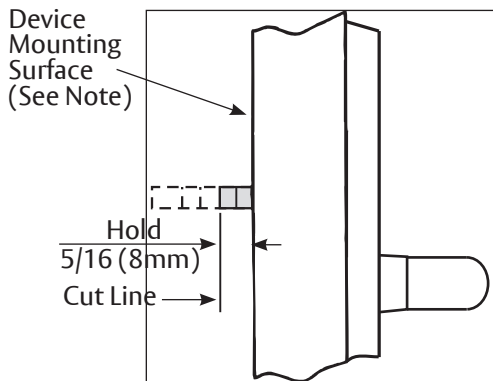


Figure 1



Note: Measure from device seat. (Door face as shown)

⚠ Caution: When removing the spindle assembly from the trim, keep the clutch spring and screws, they are needed for reassembly. When finished, check the lock and unlock function before mounting. See detail Figure 1 for sizing the tailpiece to the door thickness.

Dimension given in inches (mm)

⚠ WARNING

This product can expose you to lead which is known to the state of California to cause cancer and birth defects or other reproductive harm. For more information go to www.P65warnings.ca.gov.

⚠ WARNING

Attention Installer: Any retrofit or other field modification to a fire rated opening can potentially impact the fire rating of the opening, and ASSA ABLOY makes no representations or warranties concerning what such impact may be in any specific situation. When retrofitting any portion of an existing fire-rated opening, or specifying and installing a new fire-rated opening, please consult with a code specialist or local code official (Authority Having Jurisdiction) to ensure compliance with all applicable codes and ratings.

80-9470-0160-000 12/23

1-855-557-5078 • www.assaabloy.com

Copyright © 2001, 2013, 2023, ASSA ABLOY Access and Egress Hardware Group, Inc. All rights reserved. Reproduction in whole or in part without the express written permission of ASSA ABLOY Access and Egress Hardware Group, Inc. is prohibited.

Experience a safer
and more open world