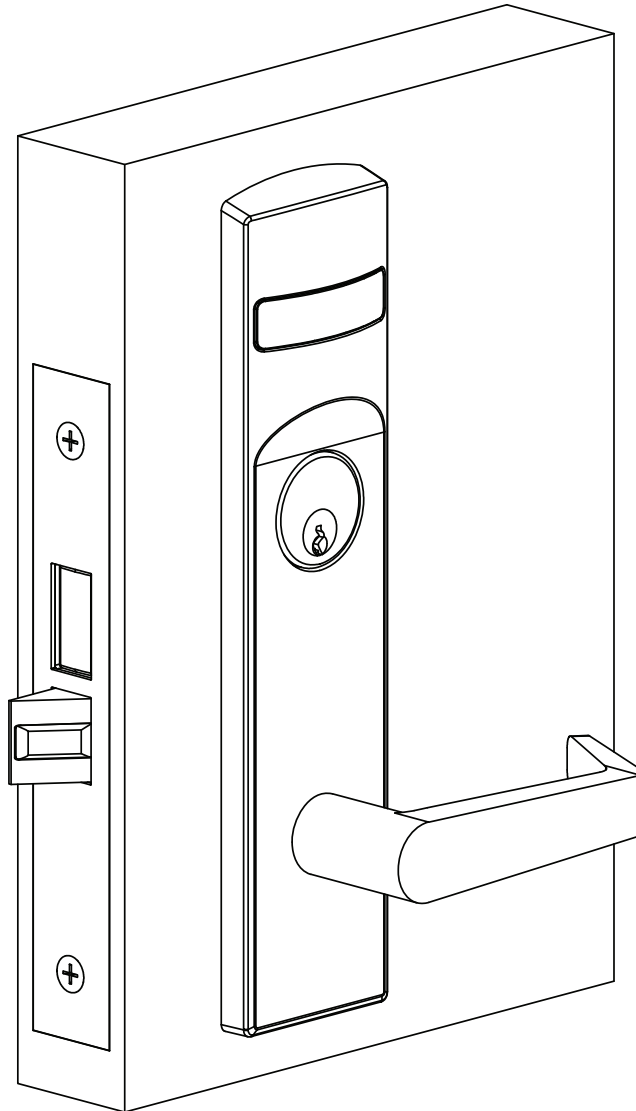


8800 Series Mortise Lock

Used with VN Escutcheon Trim and V Series Indicators
Installation Instructions

ACCENTRA
ASSA ABLOY



1-855-557-5078 Ext. 2 • www.accentra-assaabloy.com

Copyright © 2023, 2024 ASSA ABLOY ACCENTRA™ Access and Egress Hardware Group, Inc. All rights reserved. Reproduction in whole or in part without the express written permission of ASSA ABLOY Access and Egress Hardware Group, Inc. is prohibited.

80-8800-0017-000 04/24

Experience a safer
and more open world

Table of Contents

| | |
|--|---|
| 1. Tools Required | 2 |
| 2. Indicator Variants | 2 |
| 3. Lock Set Configuration | 3 |
| 4. Rehanding Indicator (if required) | 3 |
| 5. Installation | 4 |
| 1. Prepare Door for Mortise Lock | 4 |
| 2. Install Lock | 4 |
| 3. Install Outside Trim | 4 |
| 4. Install Inside Trim | 5 |
| 5. Install Cylinder | 5 |
| 6. Install Outside Front | 5 |
| 7. Perform Functional Check | 6 |
| 6. Indicator Part List | 7 |

1. Tools Required



#2 & #3 Phillips Head Screwdrivers



Flat Blade Screwdriver



1/8" Allen Wrench



3/32" Drill Bit

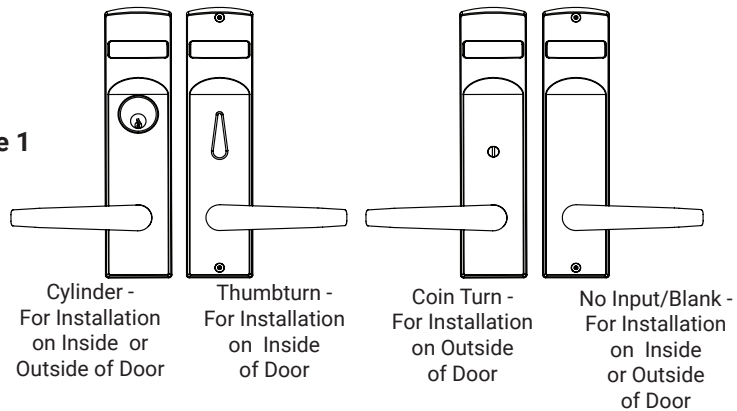


T-20 Torx Screw with Tamper Pin Driver

2. Indicator Variants

Depending on function and option ordered, indicators are provided in the following variations. These instructions detail how to install with cylinder, however other variations follow similar instructions (Figure 1). Contact factory for any questions.

Figure 1



8800 Series Mortise Lock

Used with VN Escutcheon Trim and V Series Indicators

Installation Instructions

ACCENTRA

ASSA ABLOY

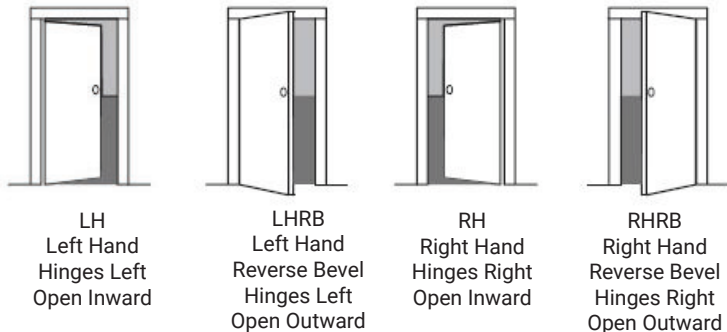
3. Lock Set Configuration

To re-hand lock, see instructions on lock body.

4. Rehanding Indicator (If required)

Verify hand and bevel of door (Figure 2).

Figure 2



NOTE: Stand on outside of locked door when determining door hand.

Next, verify inside and/or outside indicators are handed correctly, using Spindle Cam Position chart (Figure 3). If they are handed correctly, skip to Step 5 "Installation - Prepare Door".

If they are not handed correctly:

1. Remove indicator back plate by pulling out from top slot, then remove spindle cam from assembly (Figure 4).
2. Position spindle cam in correct direction for door hand (Figure 3).

NOTE: For thumbturn indicators, make sure thumbturn is positioned in the 12 o'clock direction as shown (Figure 5).

3. Slide spindle cam post into correct slot of display slide (Figure 4).
4. Re-seat back plate into original position.
5. Return indicator to the vacant/unlocked position for installation.

Figure 4

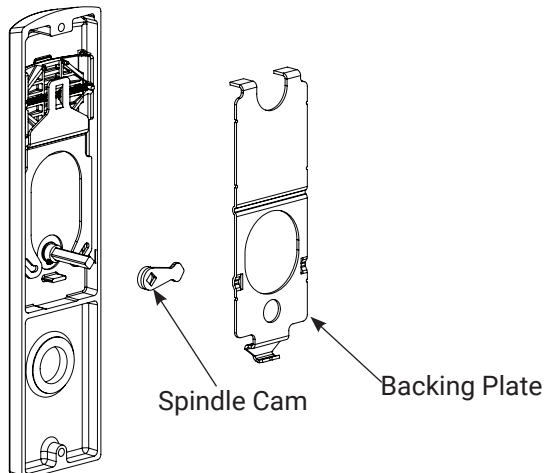


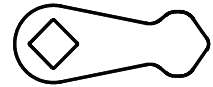
Figure 3

Spindle Cam Position for Locks with Deadbolt (*Includes 8864 function)

Door Hand RH/RHRB

Outside Indicator

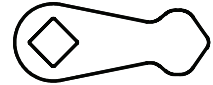
Inside Indicator



Door Hand LH/LHRB

Inside Indicator

Outside Indicator

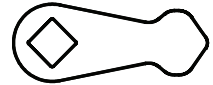


Spindle Cam Position for Locks without Deadbolt (*Does not include 8864 function)

Door Hand RH/RHRB

Inside Indicator

Outside Indicator



Door Hand LH/LHRB

Outside Indicator

Inside Indicator

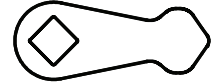
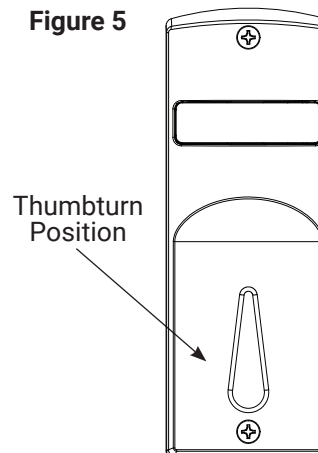


Figure 5



5. Installation

1. Prepare Door for Mortise Lock

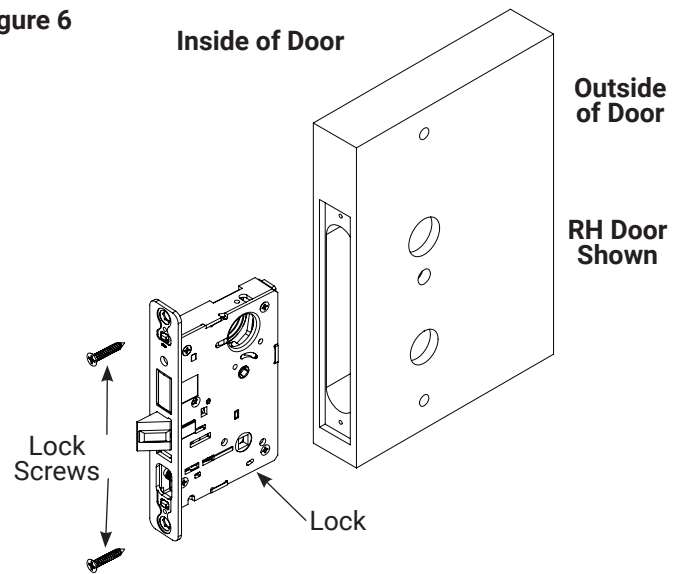
Prepare door for function holes, size, and location according to 7088-0005 door marker template, if not already prepped.

2. Install Lock

1. Verify strike location according to template. Clean out door pocket and door edge of debris.
2. Make sure handing of lock matches handing of door. Slide lock into door (Figure 6).
3. Temporarily hand tighten two (2) lock screws (#12 x 1-1/4" wood screws, or #12-24 x 1-1/2" machine screws).

NOTE: Keep door open until installation is complete.

Figure 6

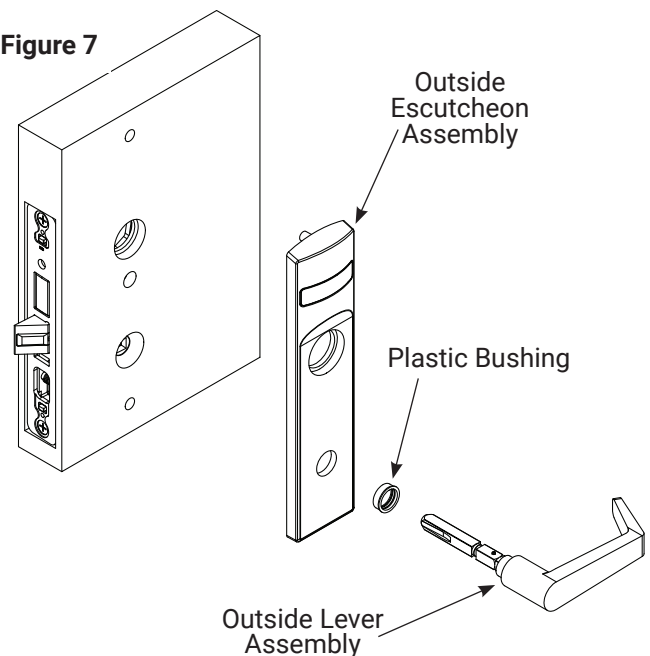


3. Install Outside Trim

1. Verify lock is in unlocked state (square control hub slot should be oriented as a diamond).
2. Unscrew the inside spindle from the outside lever assembly 1/2 turn and align the ramp in the horizontal position before inserting into the lock.
3. Slide outside escutcheon assembly on door and insert outside lever assembly and plastic bushing into lock body. Lever must be horizontal (Figure 7).

NOTE: If indicator is used on outside, align indicator spindle with control hub.

Figure 7



8800 Series Mortise Lock

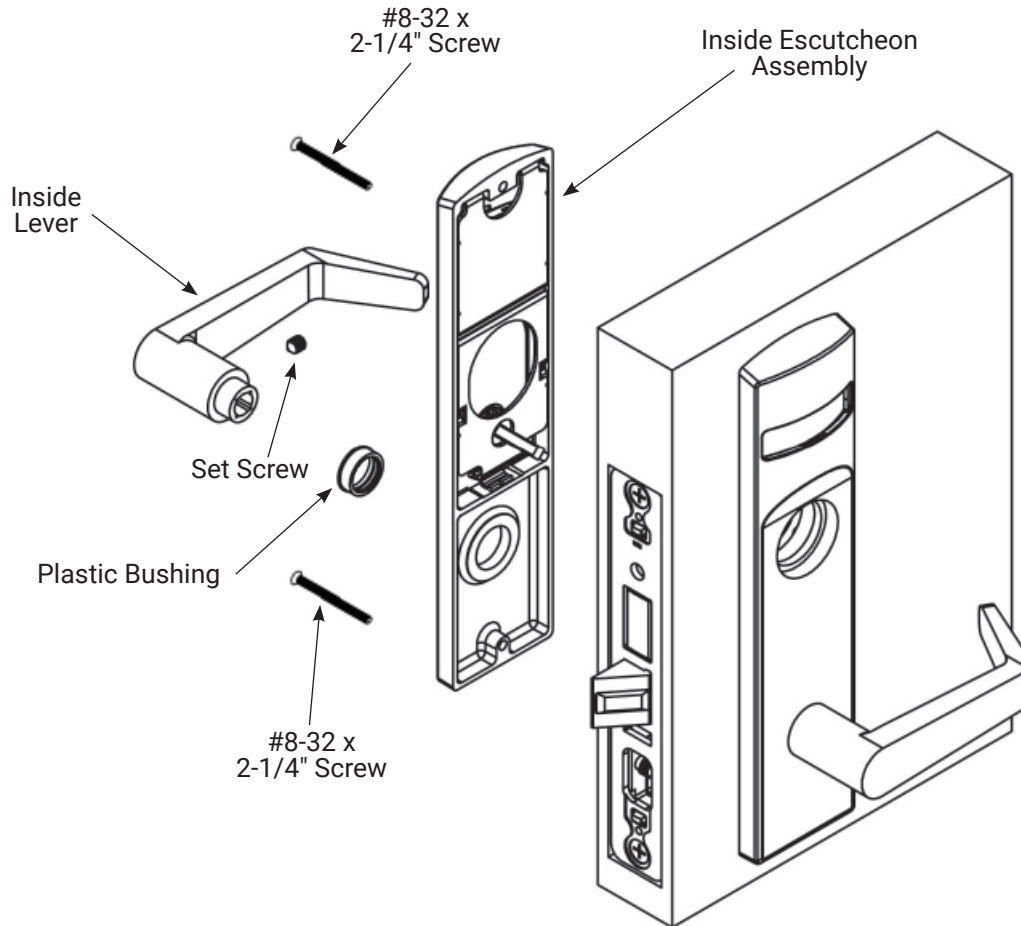
Used with VN Escutcheon Trim and V Series Indicators Installation Instructions

5. Installation, continued

4. Install Inside Trim

1. Verify lock is in unlocked state (turn outside lever to ensure).
2. Align inside escutcheon assembly and install onto inside door face (Figure 8).
NOTE: If indicator is used on inside, align indicator spindle with control hub.
3. Through-bolt inside escutcheon to outside escutcheon with two (2) #8-32 x 2-1/4" screws. Then tighten inside lever set screws.

Figure 8



5. Installation, continued

5. Install Cylinder

1. Thread cylinder into lock until flush with escutcheon surface (Figure 9).
 - Pull key slightly out of cylinder to help thread into lock body.
2. Tighten cylinder clamp screw with #2 Phillips screwdriver.
 - Check operation and adjust if necessary.

NOTES:

- Key and cylinder must be positioned as Figure 10 shows.
- If double cylinder function is used, repeat steps 5.1 and 5.2 for second cylinder.
- Interchangeable core cylinders require a control key to remove and install the core. This is not provided standard. It must be requested separately.

Figure 9

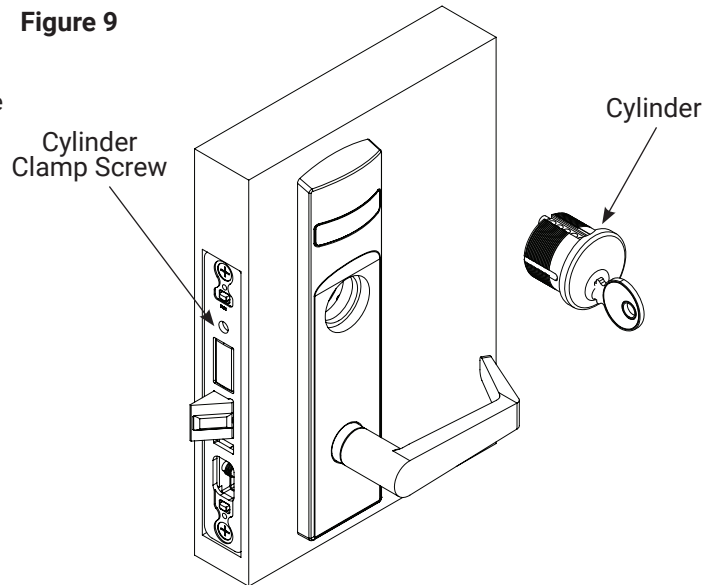
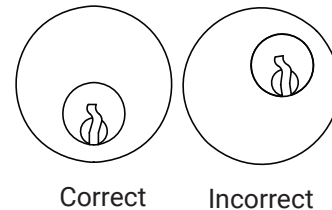


Figure 10

Key and cylinder must be rotated as shown.



6. Install Outside Front

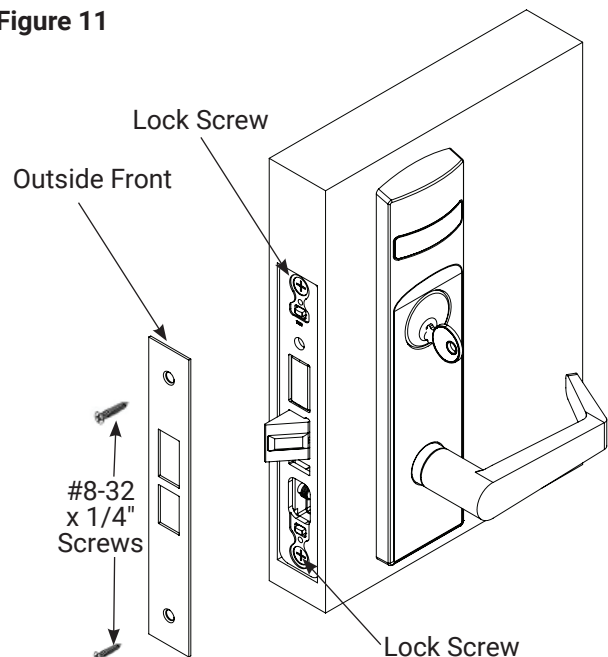
1. Tighten the two (2) lock screws completely (Figure 11).
2. Attach outside front with two (2) flat head screws #8-32 x 1/4".

7. Perform Functional Check

DO NOT FORCE if resistance is encountered during functional check. Refer back to Rehanding Indicator (if required) section to ensure correct handing. Rehand if necessary.

1. Insert key into cylinder (if present) and rotate:
 - Ensure there is no friction against lock case or any other obstructions.
2. Check key retracts latch:
 - Key should rotate freely.
3. Throw deadbolt (if present):
 - Check key retracts both deadbolt and latch.
4. Test levers:
 - Confirm latch and deadbolt (if installed) retract.
5. Verify indicator displays correct status when locked and unlocked.

Figure 11



8800 Series Mortise Lock

Used with VN Escutcheon Trim and V Series Indicators

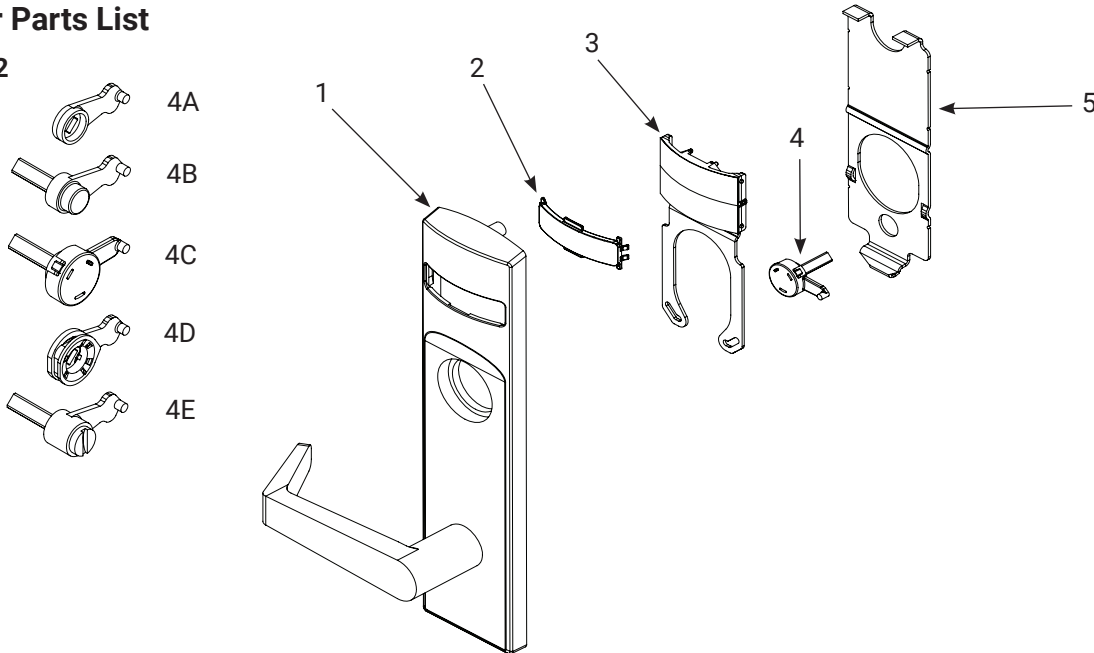
Installation Instructions

ACCENTRA

ASSA ABLOY

6. Indicator Parts List

Figure 12



| # | DESCRIPTION | PART # | REQ. |
|----|--|-----------------|------|
| 1 | VN Indicator Escutcheon | Consult Factory | 1 |
| 2 | Indicator Window | 856F049 | 1 |
| 3 | Indicator Display Assembly - Green Unlocked / Red Locked | 82-5602-4000 | 1 |
| | Indicator Display Assembly - Green Vacant / Red Occupied | 82-5603-4000 | |
| | Indicator Display Assembly - Green Unlocked Icon / Red Locked Icon | 82-5604-4000 | |
| | Indicator Display Assembly - White Unlocked / Red Locked | 82-5605-4000 | |
| | Indicator Display Assembly - White Vacant / Red Occupied | 82-5606-4000 | |
| | Indicator Display Assembly - White Unlocked Icon / Red Locked Icon | 82-5607-4000 | |
| | Indicator Display Assembly - Green Ouvert / Red Fermé | 82-5684-4000 | |
| | Indicator Display Assembly - Green Libre / Red Occupée | 82-5685-4000 | |
| 4A | Indicator Spindle Cam - Thumbturn | 50-8800-9328 | 1 |
| 4B | Indicator Spindle Cam - Cylinder/No Input / Blank | 50-8800-7335* | |
| 4C | Indicator Spindle Cam - Cylinder Overtravel | 50-8800-0378* | |
| 4D | Indicator Spindle Cam - Thumbturn Overtravel | 50-8800-0346 | |
| 4E | Indicator Spindle Cam - Coin Turn | 50-8800-7339* | |
| 5 | Indicator Backing Plate | 855F638 | 1 |
| 6 | VN Escutcheon Screw Pack (Not shown) | 858F517 FIN* | 1 |
| 7 | Field Prep Marker Template (Not shown) | 7088-1008 | 1 |

*These parts are for 1-3/4" standard thickness doors. For other thicknesses, contact the factory.

NOTE: Reference 8800 Series parts manual for all lock body parts.

