



YDC200 Series

Economy Door Closer



ACCENTRA

ASSA ABLOY

ASSA ABLOY is transitioning the Yale Commercial brand to ACCENTRA. This affects only the brand name; the products and product numbers will remain unchanged. Prior to May 20, 2024, products may be shipped either as Yale Commercial brand or ACCENTRA brand. Products shipping after May 20, 2024, will be branded ACCENTRA.

Table of Contents



Contents

Features & Benefits.....	3
How to Order	4
Dimensions and Applications.....	5

YDC200 Economy Door Closer

Yale® YDC200 Series Economy Door Closer is a no-fuss, affordable option for aluminum storefront settings and other high volume applications. Certified to meet ANSI/BHMA A156.4, Grade 1, YDC200 Series Door Closers provide a trusty and reliable solution to your commercial space, including retail, office buildings, and more.

Bringing you a dependable door closer at an attractive price point, Yale Works for YouSM.



Features & Benefits



Features

- Adjustable spring size 1-4 (YDC201) or fixed spring size 4 (YDC204)
- Tri-packed: regular, top jamb, or parallel mounting options
- Non-handed
- Cast aluminium body and threaded adjustable arm
- Rack & pinion design
- Independent latch, sweep, and backcheck intensity valves
- Available in two finishes
- 5 year limited warranty

Benefits

- **Ideal for a variety of facilities:** Well-suited to commercial, aluminum storefront, and hospitality applications
- **Ease of product selection:** Economical, affordable, no-fuss product offering
- **Great for retrofit applications:** 3/4" by 9-1/16" closer dimensions easily retrofit to a common footprint
- **Reliable:** UL/cUL listed and designed to meet ANSI/BHMA Grade 1 certification standards

How to Order



Please select model number and finish.

Model	Description	Finish
YDC201	Multi-sized Closer – Non-Hold Open	689 or 690
YDC204	Fixed Size 4 Closer – Non-Hold Open	

Notes:

- Before installing a door closer, verify the accessibility, fire, and life-safety requirements that are in effect. This includes the mounting height and projection into the clear opening. Check the adopted state and local building codes and consult the Authority Having Jurisdiction (AHJ).
- To maintain the warranty and ensure proper operation of the product, follow the installation instructions & templates and install on the inside of the building.
- Consult NFPA 80 for the hinge requirements on a fire door.
- Failure to use fasteners supplied with closer may void factory warranty.
- Optional fasteners are available for a variety of applications. Consult the door and frame manufacturer to ensure the proper fasteners are used to maintain certifications.
- Sizing charts are based on 1-3/4" x 7' standard weight doors swinging to 110°. Other application conditions (i.e. larger door heights or weight) may require larger size closer. Adjusting the spring power to meet the low opening force requirements of the Americans With Disabilities Act or ANSI/BHMA Standard A117.1, may not provide adequate closing power to dependably close and latch the door in some conditions (i.e. air movement from wind gusts or building stack pressure).

Finishes

ANSI/BHMA Code Finish Description	
689 Aluminum Painted	690 Dark Bronze Painted



Parts List

Description	Part Number*
Sleeve Nuts (1-3/4" door only)	SN-134
Cover (order by part number)	YDC200COV

*Specify finish when ordering.

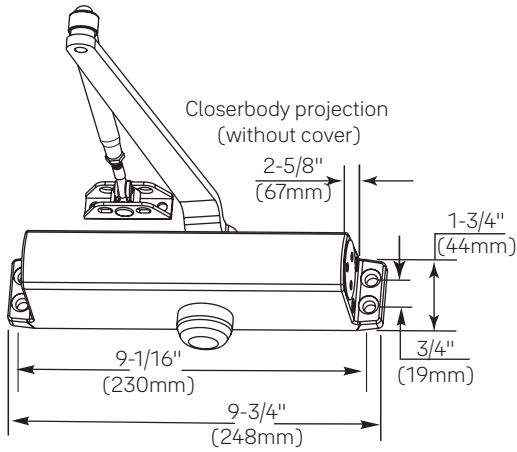


Optional cover
(YDC200COV)

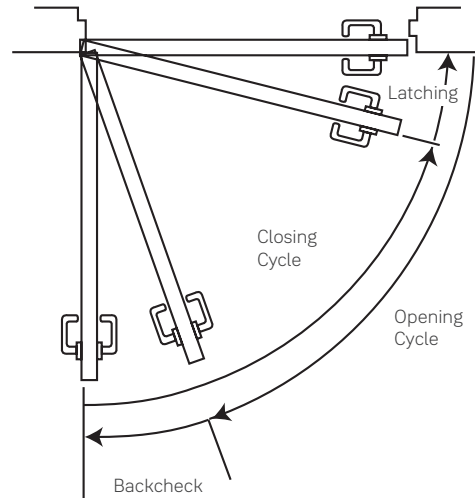


Dimensions and Applications

Dimensions



Door Closing Latching Cycle



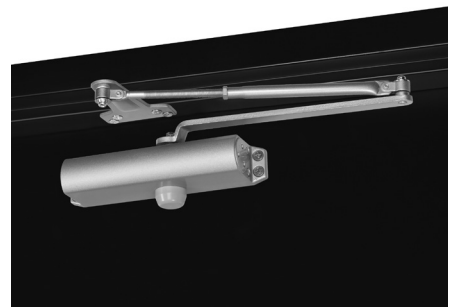
Applications



Regular Arm



Top Jamb



Parallel Arm







Trusted every day

Phone

1-855-557-5078

Customer Service Email

customerservice.yale@assaabloy.com

Technical Product Support Email

techsupport.yale@assaabloy.com

Order Entry Email

orders.yaleus@assaabloy.com

Fax

1-800-338-0965

Website

www.yalecommercial.com

Contact Us

U.S.A.

Yale Locks & Hardware

Address: 225 Episcopal Road

Berlin, CT 06037-4004

Tel: 1-800-438-1951

Fax: 1-800-338-0965

yalecommercial.com

Canada:

ASSA ABLOY Door Security Solutions Canada

Address: 160 Four Valley Drive

Vaughan, Ontario L4K 4T9

Tel: 1-800-461-3007

Fax: 1-800-461-8989

assaabloydss.ca

International:

ASSA ABLOY Americas International

Tel: 1-905-821-7775

Fax: 1-905-821-1429

assaabloyai.com

THE YALE BRAND, with its unparalleled global reach and range of products, reassures more people in more countries than any other consumer locking solution.

THE ASSA ABLOY GROUP is the world's leading manufacturer and supplier of locking solutions, dedicated to satisfying end-user needs for security, safety and convenience.

Yale Commercial is a business associated with ASSA ABLOY Access and Egress Hardware Group, Inc., an ASSA ABLOY Group company. Copyright © 2017-2022, ASSA ABLOY Access and Egress Hardware Group, Inc. All rights reserved. Reproduction in whole or in part without the express written permission of ASSA ABLOY Access and Egress Hardware Group, Inc. is prohibited. Patent pending and/or patent www.assaabloydss.com/patents.