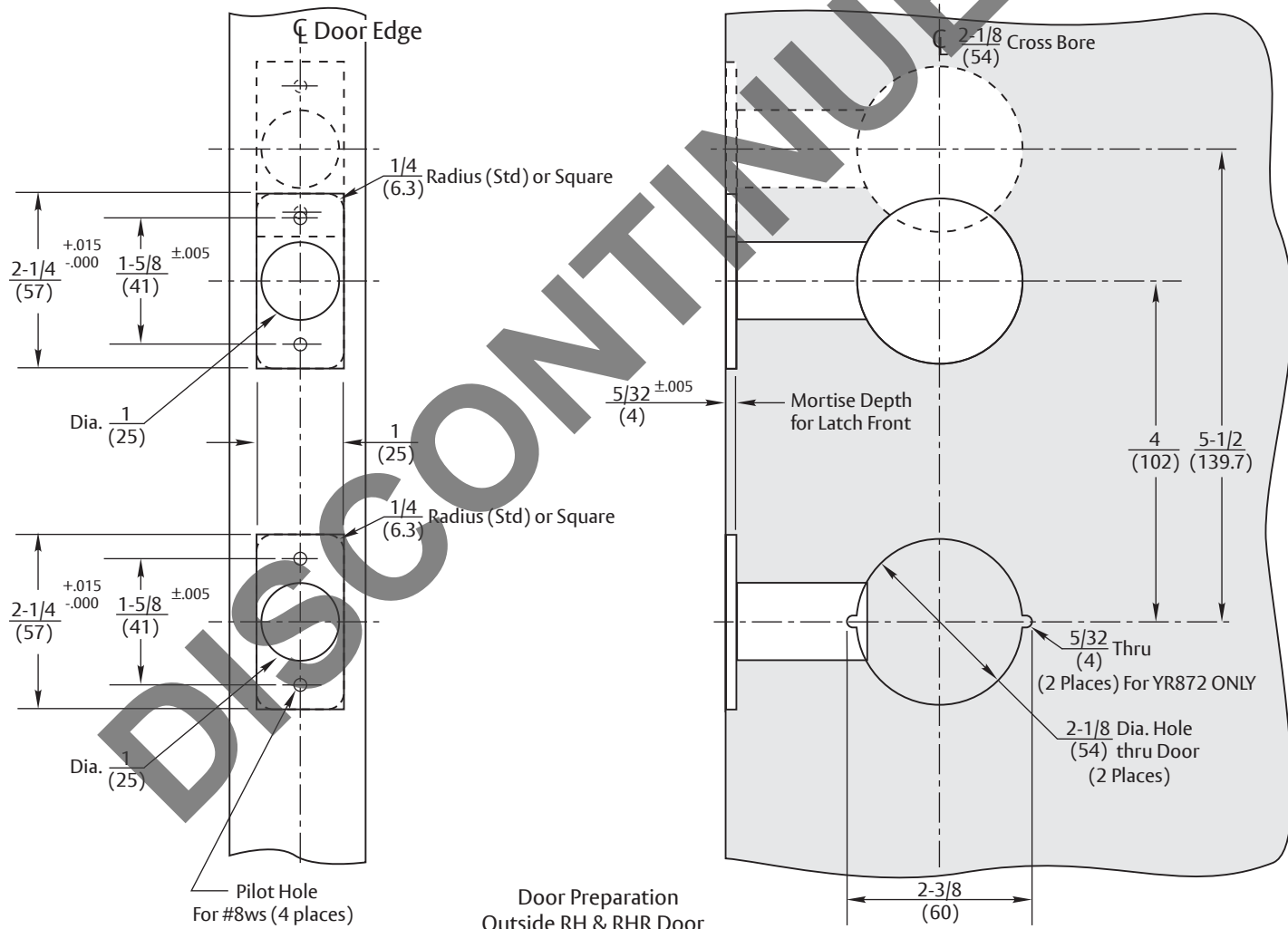
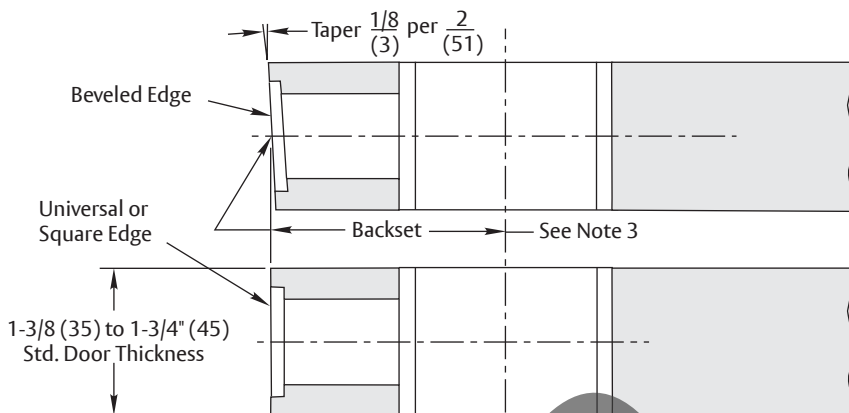


Notes:

1. Do not scale drawing.
2. For strike preparation refer to:
 Full Lip(Latchbolt) Standard Template 412-940006
 T-Strike (latchbolt) Optional Template 412-940002
 ANSI Strike(latchbolt) Optional Template 412-940005
 Universal (Deadbolt) Standard Template 412-0009
 1"x2-1/4" (Deadbolt) Optional Template 412-940004
3. Backset: 2-3/4" (70mm) or 2-3/8" (60mm)
 Specify latch face RC or SC.
4. For H.M. door preparation refer to:
 Template 412-940016
5. All dimensions given in inches (mm).
6. All latchbolts are provided with flat fronts, not recommended for beveled doors.



RESPONSIBILITY

DOOR AND FRAME MANUFACTURERS ARE RESPONSIBLE FOR PROVIDING ADEQUATE CONSTRUCTION OR REINFORCEMENTS FOR PROPER INSTALLATION OF HARDWARE SHOWN. ALL ARCHITECTURAL BUILDERS HARDWARE MUST BE INSTALLED ON PROPERLY REINFORCED DOORS AND FRAMES, REGARDLESS OF TYPE, MATERIAL, OR METHOD OF CONSTRUCTION.

Heritage Collection Grade 2
 Interconnected Mechanical Lockset
 1" (25mm) Wide Front
 Wood Door Preparation
 Backset - 2-3/4" (70mm) and 2-3/8" (60mm)
Contact us for support at 1-855-557-5078.

ASSA ABLOY

SUPERSEDES 412-940017 02-18	DO NOT SCALE DRAWING	
TEMPLATE NUMBER	412-940017	DATE 01-24