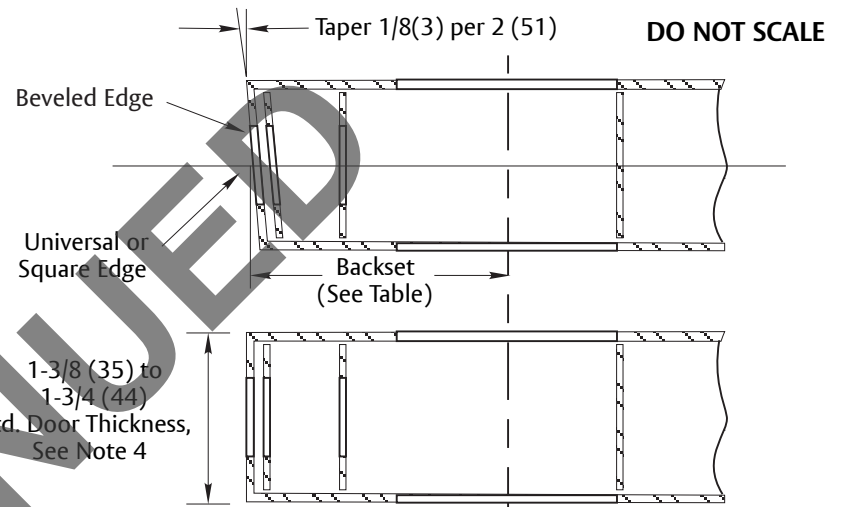
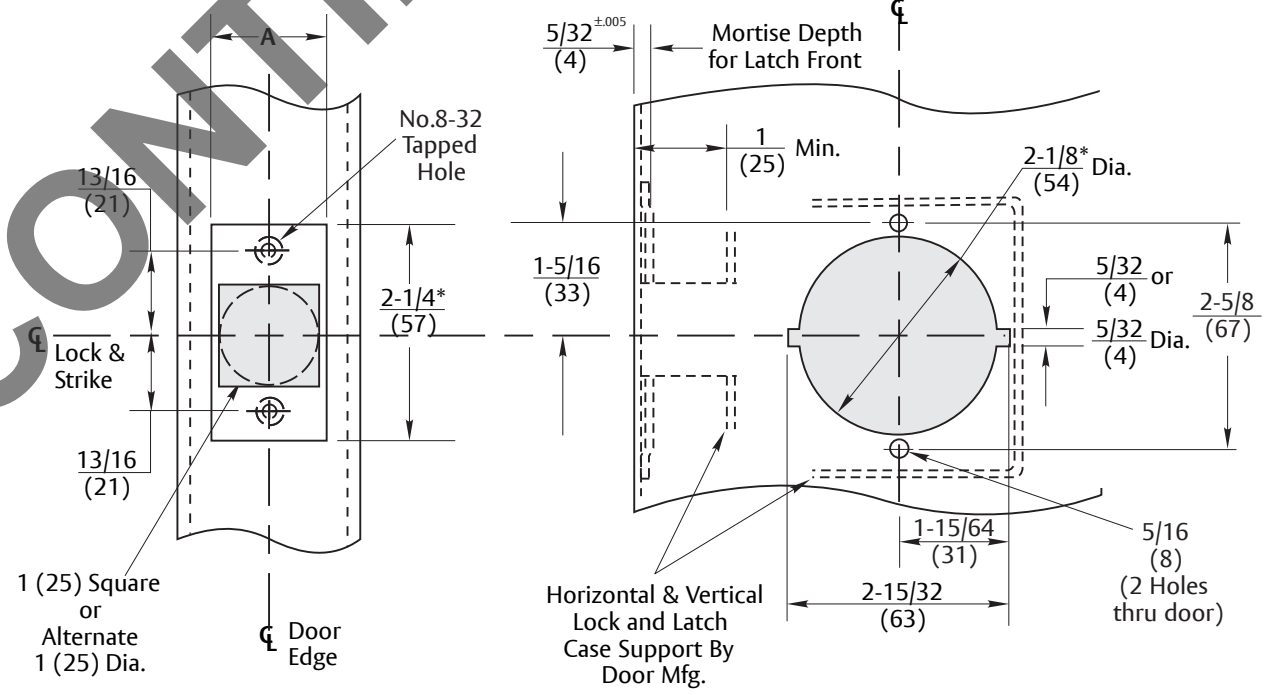


YMCL SERIES Lever Locks		
Backset	Latch No.	Front Dim. A
$\frac{2-3}{8}$ (60)	YMCD38, YMCP38	$\frac{1}{(25)}$ *
$\frac{2-3}{4}$ (70)	YMCD34, YMCP34	$\frac{1-1}{8}$ *



**Notes:**

- For strike preparation refer to:  
497 strike = Template No. 7102-0003.  
371 strike = Template No. 7102-0005.
- Dimensions marked with \* have tolerances of +.015, -0.000
- All dimensions given in inches (mm).
- Standard locks adjustable for  $1-3/8$  (35) to  $1-3/4$  (44) door thicknesses.
- For universal or square edge doors.



Experience a safer and more open world

YMCL200 Series Lever Handle Cylindrical Locks  
H.M. Door Preparation  
 $2-3/4$ " and Optional Backsets

Template Number:  
7150-0080  
Sheet: 1 of 1  
Date: 12/23

**ASSA ABLOY**

1-855-557-5078  
www.assaabloy.com