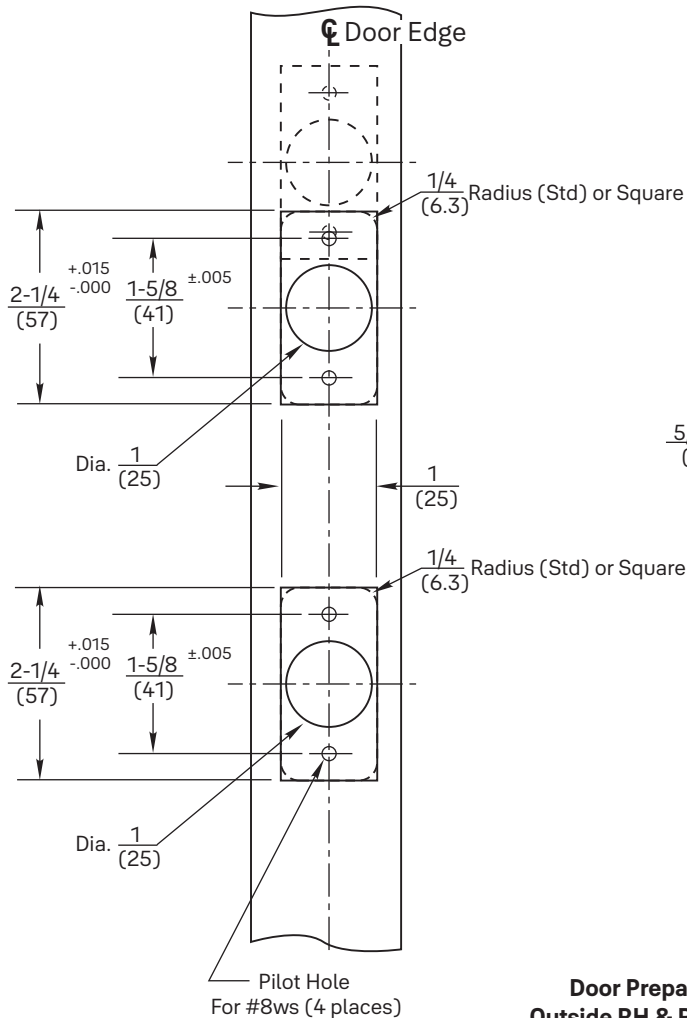
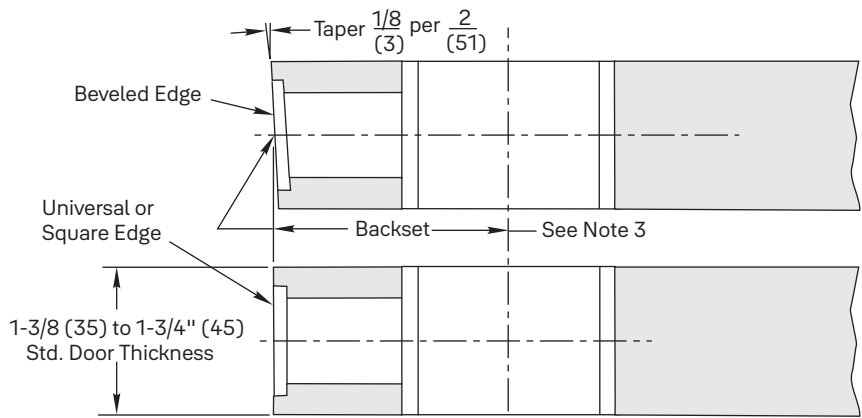
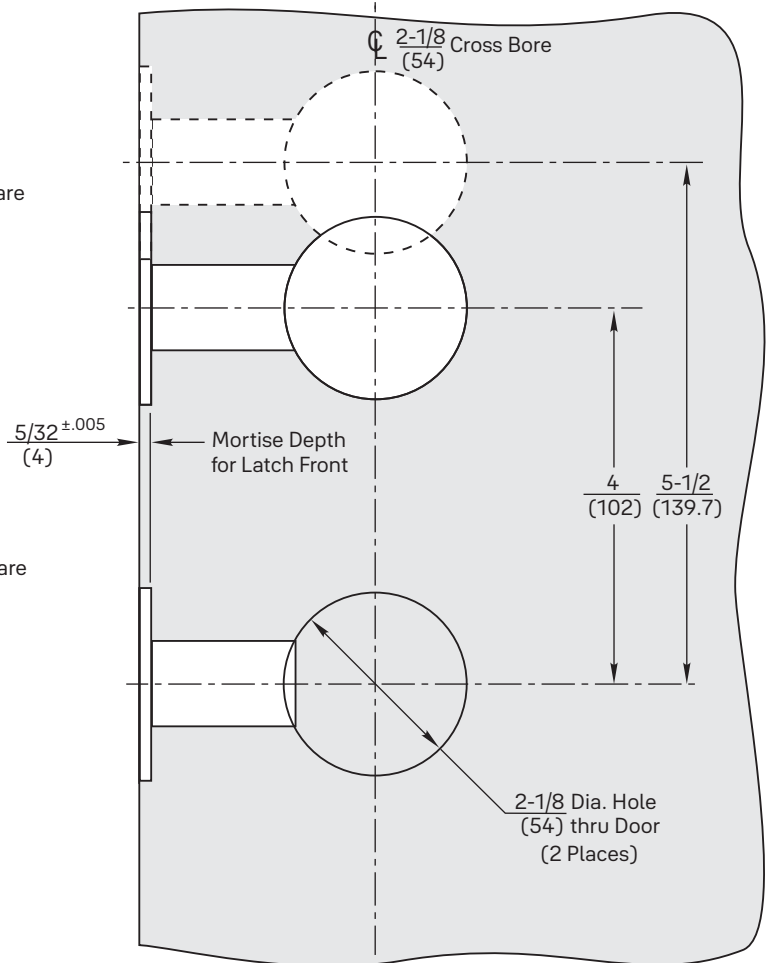


Notes:

1. Do not scale drawing.
2. For strike preparation refer to:
 Full Lip (Latchbolt) Standard Template 412-940006
 T-Strike (Latchbolt) Optional Template 412-940002
 ANSI Strike (Latchbolt) Optional Template 412-940005
 Universal (Deadbolt) Optional Template 412-940009
 1"x2-1/4" (Deadbolt) Standard Template 412-940004
3. Backset: 2-3/4" (70mm) or 2-3/8" (60mm)
 Specify latch face RC or SC.
4. For H.M. door preparation refer to:
 Template 412-940018
5. All dimensions given in inches (mm).
6. All latchbolts are provided with flat fronts, not



Door Preparation Outside RH & RHR Door



YRC216, YRC226, YRC246 YRC620, and YRC622 Electronic Interconnected
 1" (25mm) Wide Front
 Wood Door Preparation
 Backset - 2-3/4" (70mm) and 2-3/8" (60mm)



1-800-438-1951
 www.yalecommercial.com

TEMPLATE NUMBER

412-940019

DATE

06-23