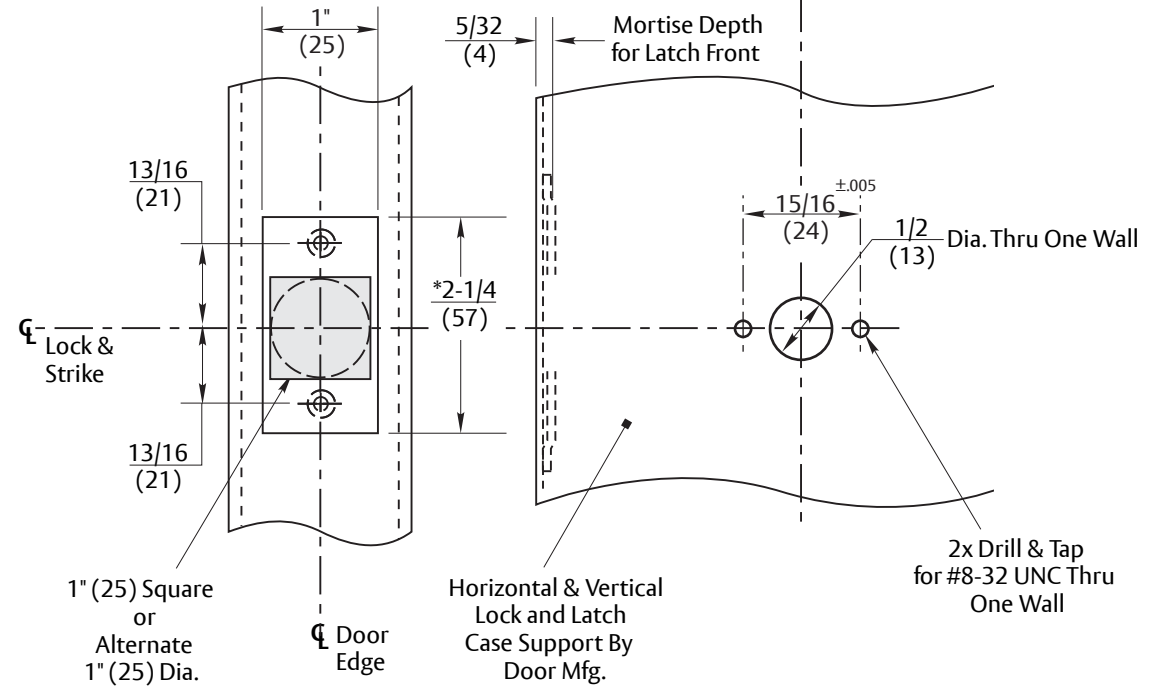
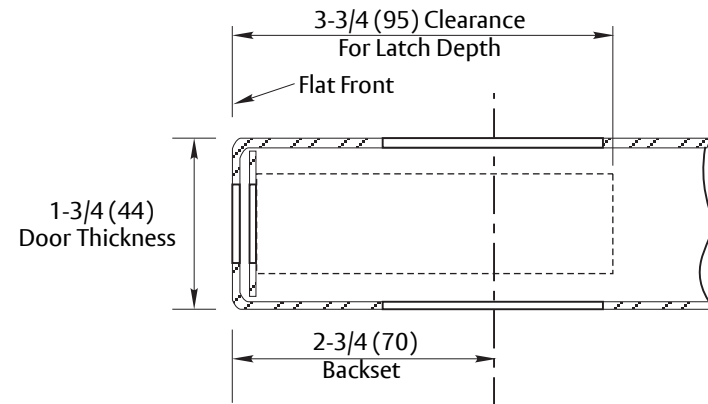


DO NOT SCALE



Notes:

1. When 4-7/8" (123.8) Strike is specified, refer to No. 497 Strike, Template No. 7102-0003.
2. When T-Strike is specified, refer to No. 371 Strike, Template 7102-0005.
3. Dimensions marked with * have tolerances of +.015, -.000
4. All dimensions given in inches (mm).

Experience a safer and more open world

Copyright © 2008, 2023, ASSA ABLOY Access and Egress Hardware Group, Inc. All rights reserved. Reproduction in whole or in part without the express written permission of ASSA ABLOY Access and Egress Hardware Group, Inc. is prohibited.

YSSL10 Security Sidelite Auxiliary Latch - 1 Wide Flat Front
H.M. Door Preparation (See ANSI/BHMA A156.115)
2-3/4 Backset

Template Number:
7150-0087
Sheet: 1 of 1
Date: 12/23

ASSA ABLOY

1-855-557-5078
www.assaabloy.com