

YSSL10 Security SideLite

ASSA ABLOY

Auxiliary Latch

Installation Instructions

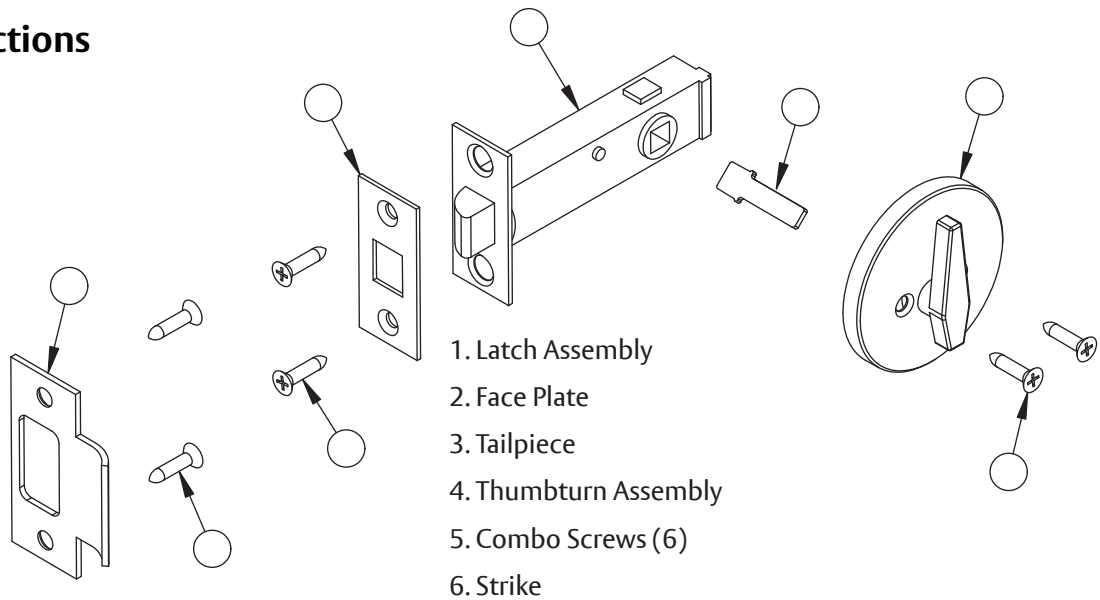
Tools

#2 Phillips Screwdriver

Center Punch

1" Bore

1/2" Drill Bit



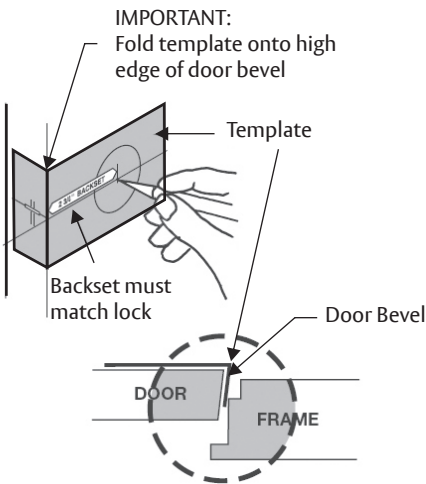
Door Preparation

Hollow Metal Doors should be properly reinforced for lock support. If support is not provided, contact door manufacturer.

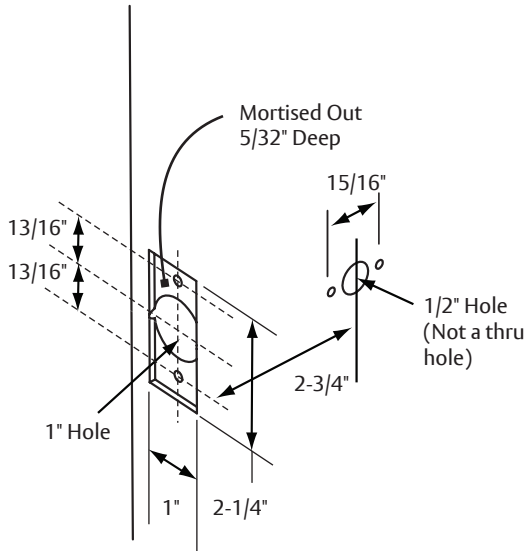
For all metal door preparations, use Template 7150-0087.

For all wood door preparations, use Template at bottom of page 2 or Template 7150-0086.

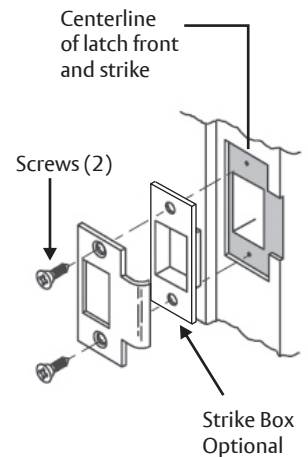
MARK AND DRILL HOLES



MARK AND DRILL HOLES



MARK AND DRILL HOLES



⚠️ WARNING

This product can expose you to lead which is known to the state of California to cause cancer and birth defects or other reproductive harm. For more information go to www.P65warnings.ca.gov.

⚠️ WARNING

Attention Installer: Any retrofit or other field modification to a fire rated opening can potentially impact the fire rating of the opening, and ASSA ABLOY makes no representations or warranties concerning what such impact may be in any specific situation. When retrofitting any portion of an existing fire-rated opening, or specifying and installing a new fire-rated opening, please consult with a code specialist or local code official (Authority Having Jurisdiction) to ensure compliance with all applicable codes and ratings.

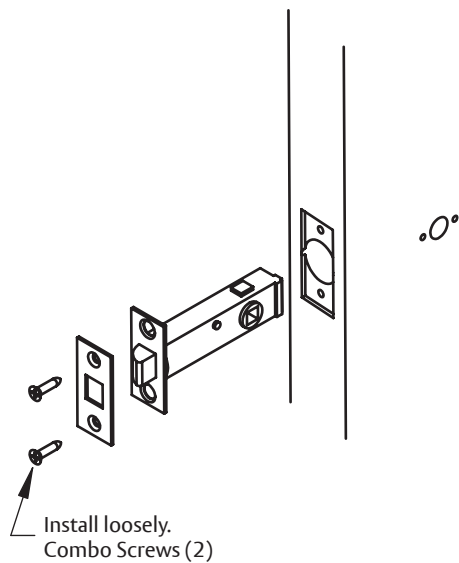
80-9510-0076-000 01/24

1-855-557-5078 • www.assaabloy.com

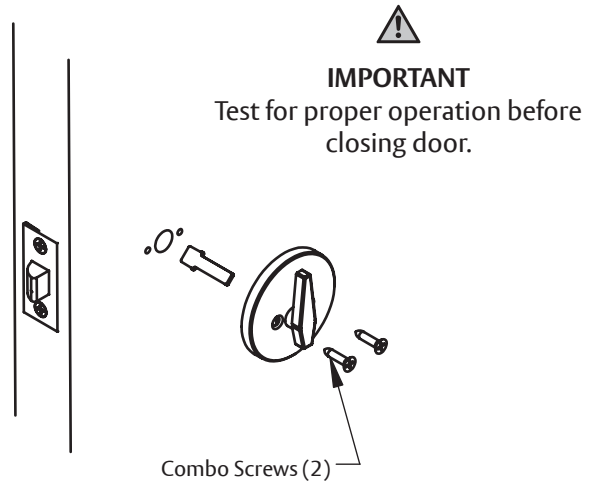
Copyright © 2012, 2023, 2024, ASSA ABLOY Access and Egress Hardware Group, Inc. All rights reserved. Reproduction in whole or in part without the express written permission of ASSA ABLOY Access and Egress Hardware Group, Inc. is prohibited.

Experience a safer
and more open world

1. Latch Installation

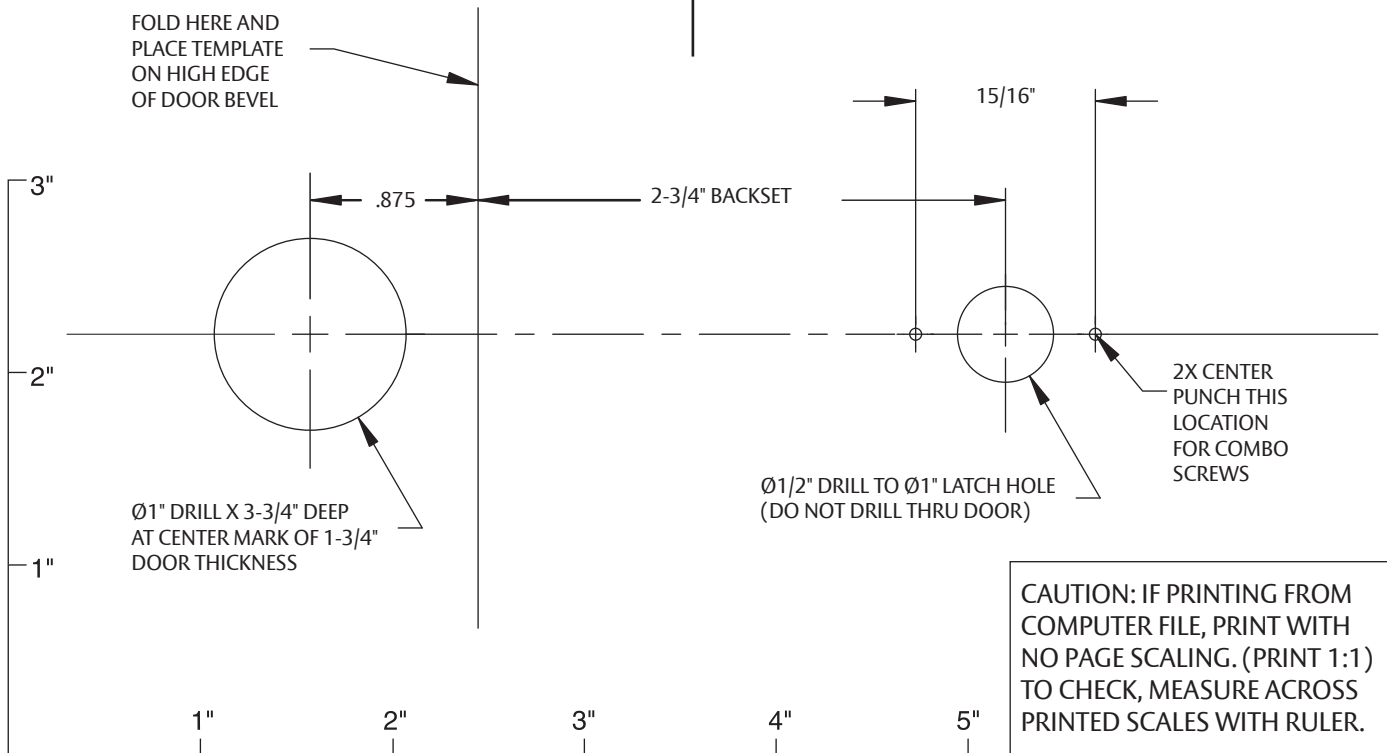


2. Thumbturn Installation



3. Tighten screws left loose in step 1.

CUT ALONG THIS LINE



If installation instructions are not followed this may result in damage to the lock and void the factory warranty. Any retrofit or other field modification to a fire rated opening can potentially impact the fire rating of the opening, and Yale Locks & Hardware makes no representations or warranties concerning what such impact may be in any specific situation. When retrofitting any portion of an existing fire rated opening, or specifying and installing a new fire-rated opening, please consult with a code specialist or local code official (Authority Having Jurisdiction) to ensure compliance with all applicable codes and ratings.