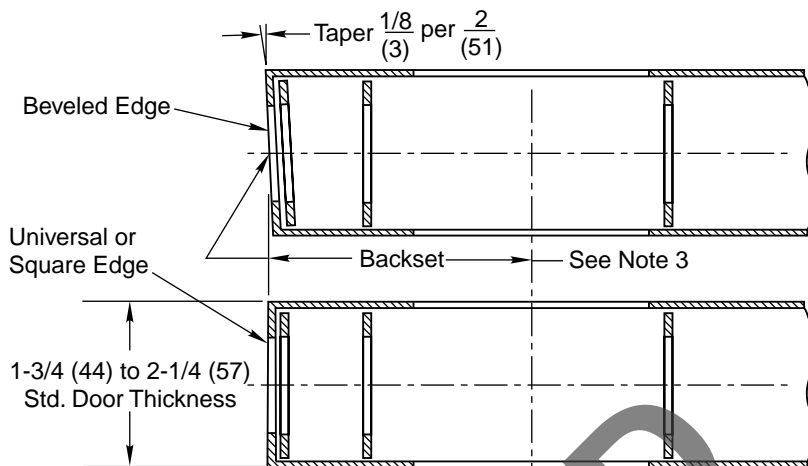
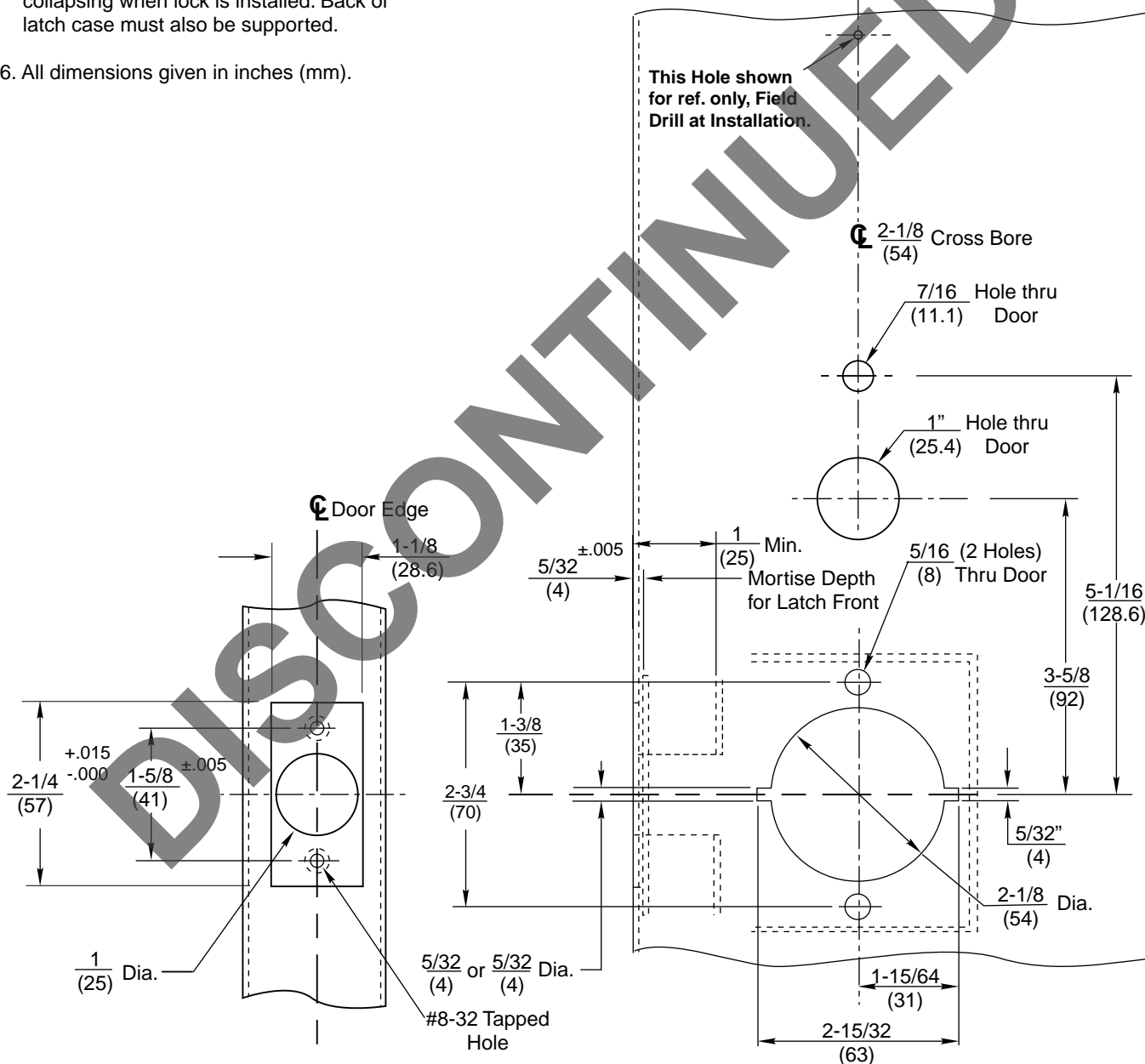


Notes:

1. Do not scale drawing
2. For strike preparation refer to:
495 Strike - Template No. 7102-0005
497 Strike - Template No. 7102-0003
3. Backset: 2-3/4" (70mm) standard
3-3/4" (95mm) to order
5" (127mm) to order
4. For wood door preparation refer to
Template No. 7150-8009
5. Door manufacturer must provide supports
within the door to keep the door from
collapsing when lock is installed. Back of
latch case must also be supported.
6. All dimensions given in inches (mm).



This Hole shown
for ref. only, Field
Drill at Installation.



**Yale eBOSS E5496LN & eBOSS Hardware
H.M. Door Preparation**

Backset- 2-3/4" (70mm), 3-3/4" (95mm) and 5" (127mm)



Yale Commercial Locks and Hardware

www.yalecommercial.com

TEMPLATE NUMBER

7150-8008

DATE

08-05