

ASSA ABLOY is the global leader in door opening solutions, dedicated to satisfying end-user needs for security, safety and convenience.

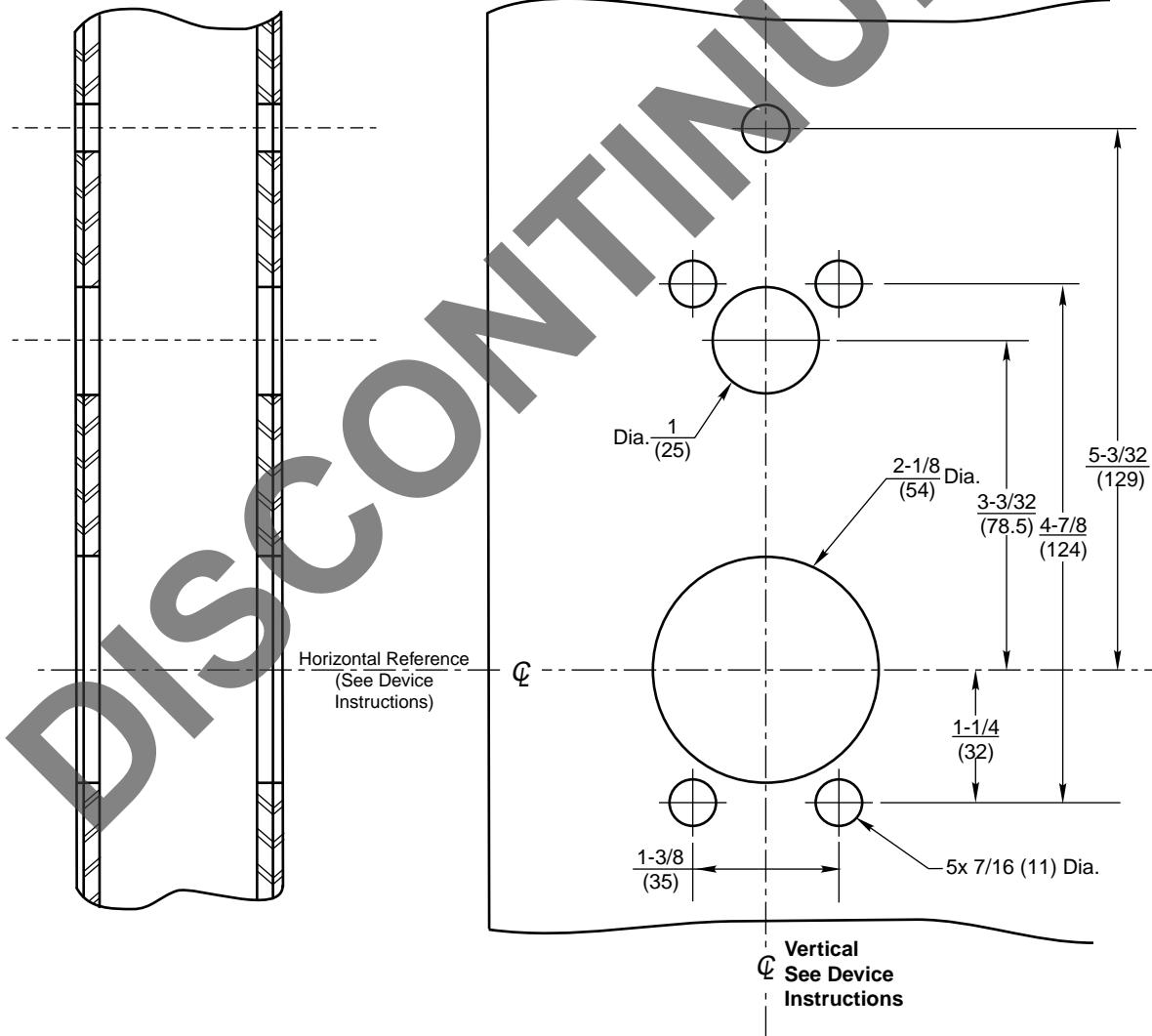
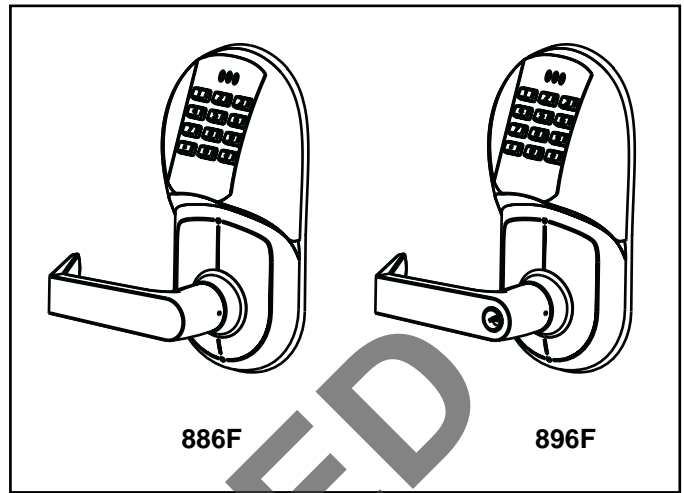
Yale®, eBOSS®, and Squarebolt® are registered trademarks of the respective ASSA ABLOY Group brand. Copyright © 2008, ASSA ABLOY Group company. All rights reserved.

Reproduction in whole or in part without the express written permission of the respective ASSA ABLOY Group brand is prohibited.

7400-0886

Notes:

1. This template is in addition to the device template.
Locate centerlines using horizontal and vertical references on device template.
2. Do not scale drawing.
3. Dimensions are in inches (mm).
4. LHR door shown. Preparation is typical for both hands.
5. For door reinforcement see template 7400-0000.
6. Prepare mounting holes when installing trim.
7. Provide adequate internal support to prevent door deformation after trim is attached to device.
8. Dimensions given about the vertical centerline are symmetrical.



**Yale® eBOSS® 886F and 896F Trim
With 7100(F) & 2100(F) Rim and
7150(F) & 2150(F) SquareBolt® Devices
For Metal Door and Frame Application**

Yale®

An ASSA ABLOY Group brand
www.yalecommercial.com

TEMPLATE NUMBER

7400-0886

DATE

01-08