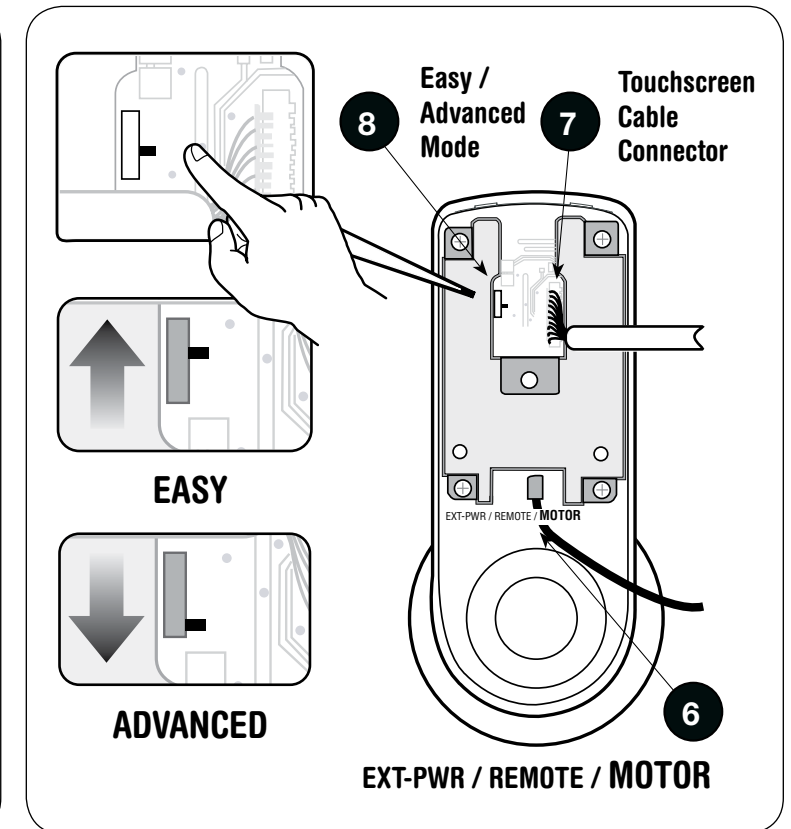
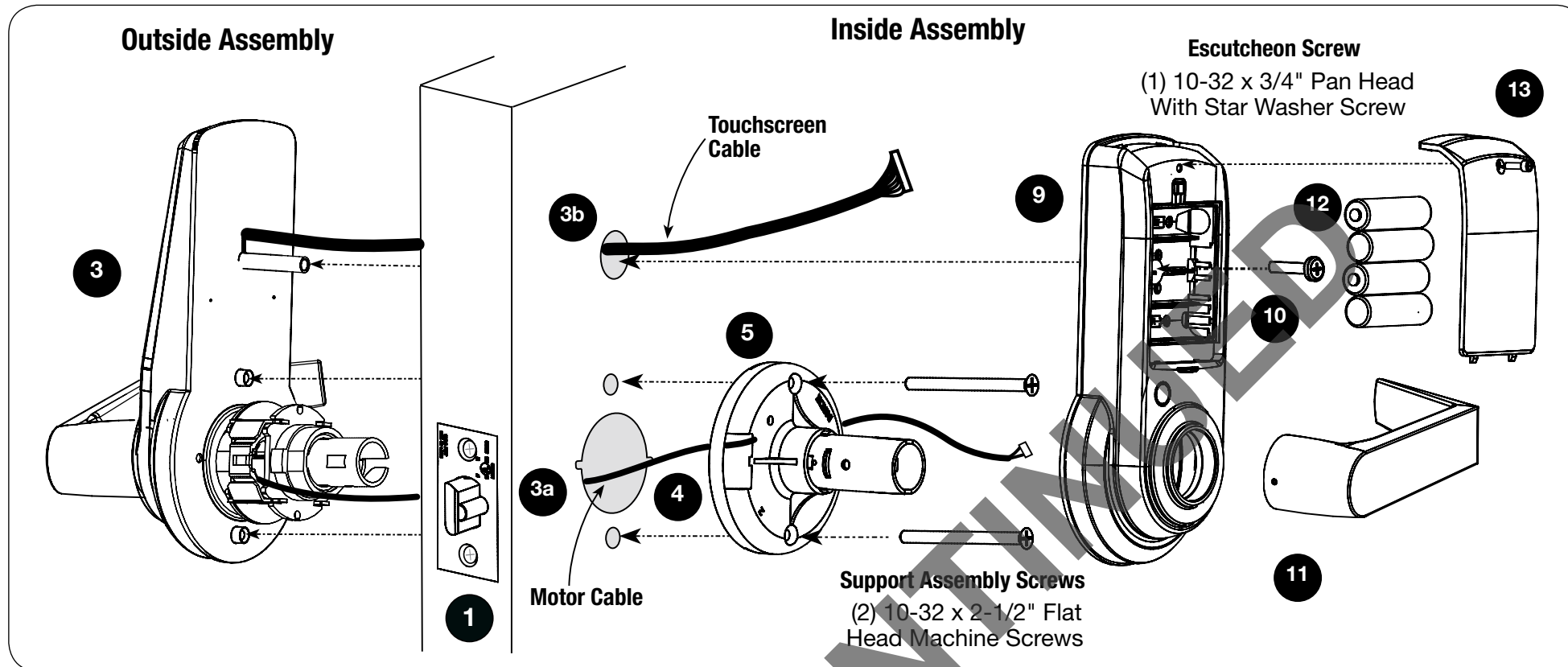
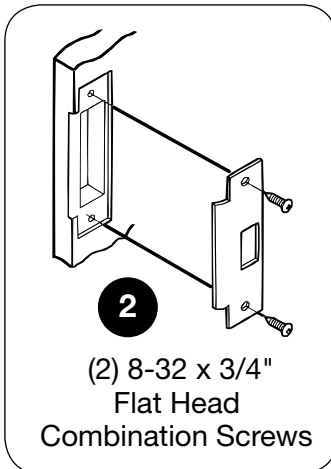
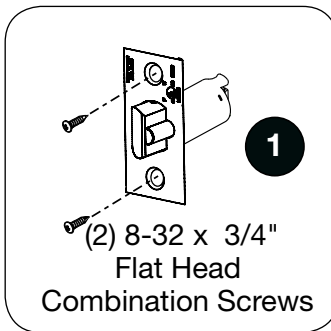


Yale inTouch™ Quickstart Guide

HARDWARE INSTALLATION



Components
Quick Start Instructions
Installation Instructions
Door Marker
Outside Touchscreen Assembly
Inside Support Assembly
Inside Escutcheon Assembly:
• Inside Support Assembly
• Inside Escutcheon
• Inside Lever Handle
• Battery Cover
4 AA Alkaline Batteries
Latchbolt
Strike
Allen Wrench 3/32" (2.5 mm)
Screw Pack (7 screws)
2 Keys (If Cylinder Included)

Directions

Before installation, disassemble the inside assembly, as shown above, by removing the inside lever with the lever removal tool provided and separating the support assembly from the inside escutcheon. Remove the battery cover from the inside escutcheon by unscrewing the hex screw, using the Allen wrench provided, and sliding the battery cover up and off (the hex screw does not come completely out). The outside assembly remains assembled.

Refer to complete installation instructions for more information if changing hands or adjusting door thickness is required.

- Install latchbolt in door. Attach with two screws provided.

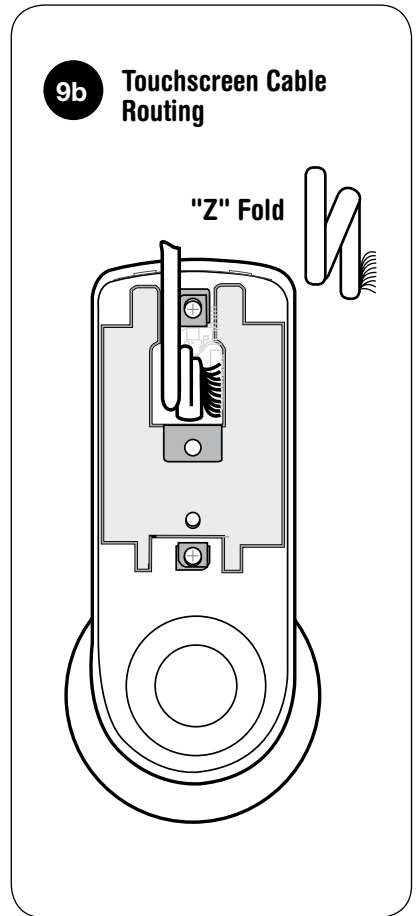
Note: Be sure that bevel edge of bolt faces strike.
- Install strike on the door frame.
- Insert outside assembly through door.
 - Guide motor cable (red and black wires) through 2-1/8" diameter hole.
 - Guide touchscreen cable through 3/4" diameter upper hole.
- Guide motor cable through rectangular hole on inside support assembly.
- Slide inside support assembly over outside assembly, lining up top and bottom screw guides with holes in door. Secure both assemblies with (2) 10-32 x 2-1/2" flat head machine screws. Do not over-tighten.
- Attach motor cable connector to the inside escutcheon PC board header marked "MOTOR."

- Attach the touchscreen cable connector to the inside escutcheon PC board header as illustrated.
- Select **EASY** or **ADVANCED Mode** using the switch on the back of the PC board.
- Slide inside escutcheon over inside support assembly.

CAUTION:

 - Position motor cable against inside support assembly. Avoid pinching wires against the steel shank of the assembly.
 - "Z" fold touchscreen wire cable and lay against the back recessed area of the escutcheon assembly. Position and bend wires to prevent binding when installing the escutcheon over the support assembly.
- Install and secure the 10-32 x 3/4" pan head screw through the center of the battery housing into the barrel nut of the outside assembly.
- Slide on inside lever and push in to attach.
- Insert four (4) AA alkaline batteries. The lock responds, "Welcome to the Yale Digital World."

Note: Refer to other side of this Quickstart Guide for **EASY Mode** programming directions prior to the completion of step 13. For more details and **Advanced Mode** programming, please refer to the complete Programming Instructions.
- Install battery cover and tighten hex head screw with Allen wrench provided with lock.



For Technical Assistance call Yale:
1-800-810-WIRE (9473).

Introduction

This Quickstart Guide is for programming in **Easy Mode**. For more details and **Advanced Mode** programming, please refer to the complete Programming Instructions.

- For proper security, the Supervisor or Master PIN code should be changed as soon as the lock is installed.
- The factory default setting is **Easy Mode**. In **Easy Mode**, one Supervisor and eight User PIN code locations are available.
- In **Easy Mode**, when there are any additions or changes to codes, all existing PIN codes ARE DELETED and must be re-entered.

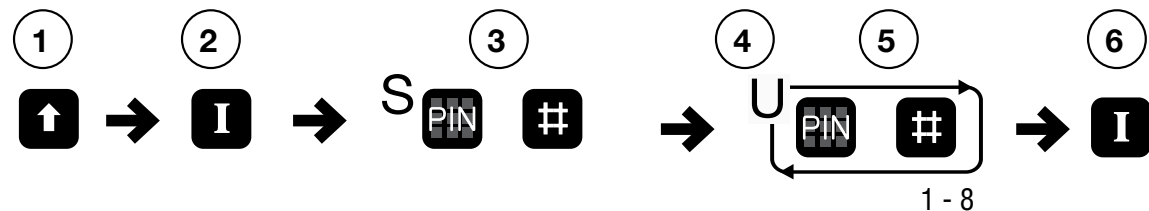
- PIN codes can be 4 to 12 digits in length.
- The **I** button is located under the battery cover above the batteries.
- The ***** key is used to enter or accept an entry, and also to conclude a programming session.
- The **#** key is used either to enter or to continue additional steps in a programming sequence.
- The factory default PIN code in **Easy Mode: Supervisor: 1 2 3 4 5 6 7 8 9 0**
- The factory default PIN code in **Advanced Mode: Master: 1 2 3 4 5 6**

Register/Change PIN codes (including Supervisor Code) Through "I" Button

Note: Be sure PIN codes are recorded. Entering any new code erases the existing codes.

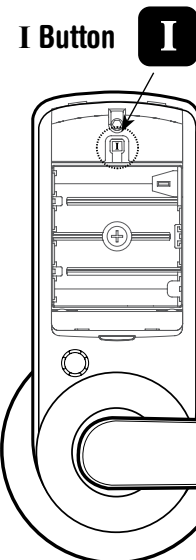
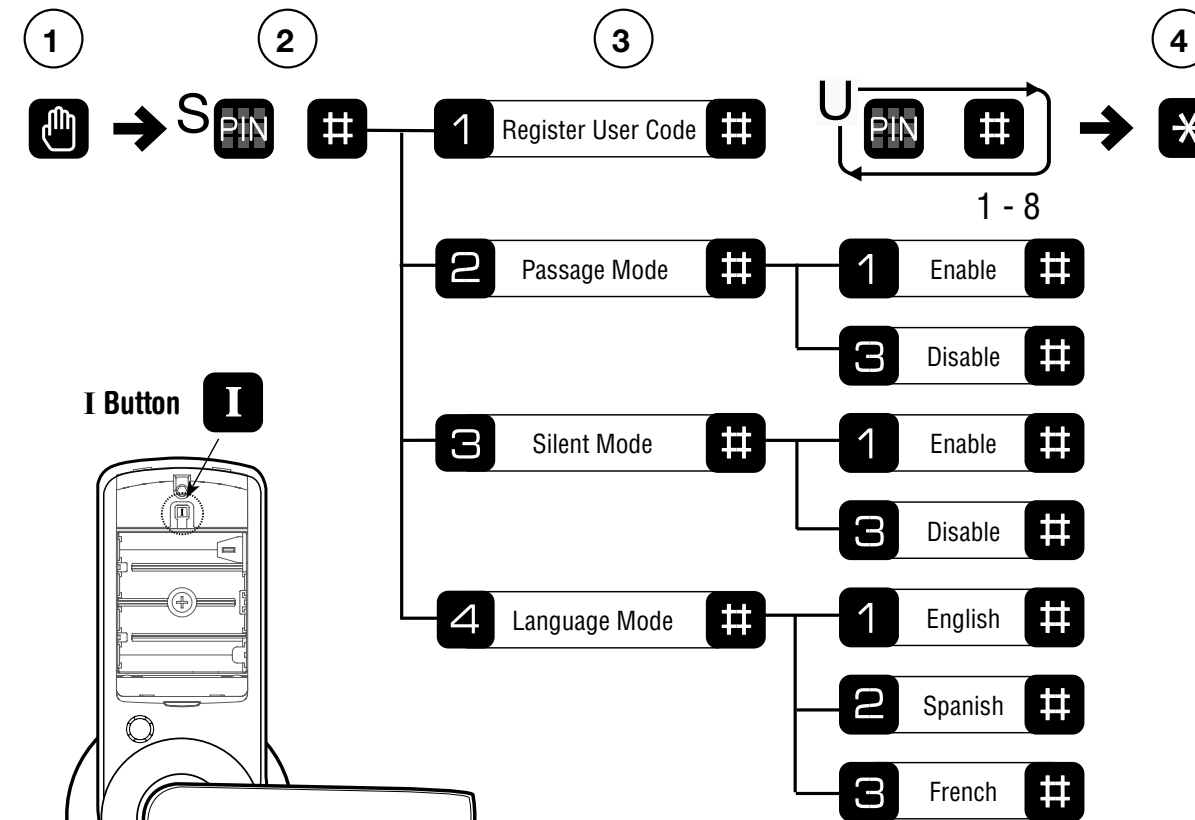
- Unscrew battery cover hex screw using tool provided. Slide battery cover up and off to reveal the **I** button located above the batteries.
- Press the **I** button once.
Lock response: "Register User code. Enter one Supervisor then up to 8 users. Enter a 4 to 12 digit PIN code, each followed by the **#** key. Press the **I** button to complete."
- Enter the new Supervisor PIN code (4 to 12 digits) followed by the **#** key.
Lock Response: Sounds a tone for each PIN code digit with digits flashing in the

- sequence entered to confirm the entry. Chime signals when playback is complete.
- Enter the first User PIN code (4 to 12 digits) followed by the **#** key.
Lock Response: Sounds a tone for each PIN code digit with digits flashing in the sequence entered to confirm the entry. Chime signals when playback is complete.
- Continue to enter additional User PIN codes (4 to 12 digits each) followed by the **#** key. Up to eight User PIN codes can be entered.
- Press the **I** button to complete the process after the last playback sequence.
Lock Response: "Registered."



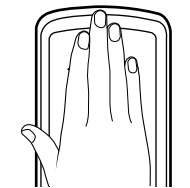
Feature Programming Through Menu Mode Via Supervisor Code

- Touch the screen with the palm of your hand or fingers to activate.
- Enter the 4-12 digit Supervisor PIN code followed by the **#** key.
Lock Response: "Menu mode, enter number, press the **#** key to continue."
- Enter digit corresponding to the function to be performed.
Follow the verbal commands.
- Press the ***** key to complete the process and conclude the programming session.

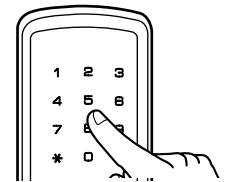


Open Door With PIN Code

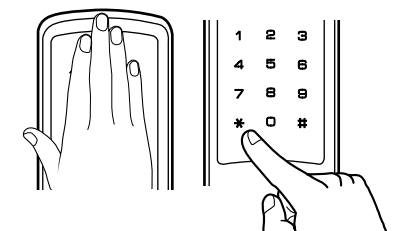
- Touch the screen with the palm of your hand or fingers to activate.



- Enter PIN code.



- Palm or touch the ***** key to confirm the selection.



- Turn lever to open door.

