



DISCONTINUED

*in*Touch[®]

Stand-alone Touchscreen Access Lock
ANSI/BHMA Grade 1

An ASSA ABLOY Group brand

ACCENTRA

ASSA ABLOY

ASSA ABLOY is transitioning the Yale Commercial brand to ACCENTRA. This affects only the brand name; the products and product numbers will remain unchanged. Prior to May 20, 2024, products may be shipped either as Yale Commercial brand or ACCENTRA brand. Products shipping after May 20, 2024, will be branded ACCENTRA.



introduction

Yale® *inTouch*® Stand-alone Touchscreen Access Lock combines robust cylindrical locksets with a contemporary electronic aesthetic.

Users benefit from an interactive touchscreen that makes day-to-day access effortless and offers voice-guided programming for fast and simple updates to user information in the event of staffing changes or security breaches.

Ideal for a wide variety of applications, *inTouch* is recommended for management offices, patient records storage, storerooms, staff lounges, restroom doors, etc. Anywhere that requires simple controlled access is an ideal place for *inTouch*!

inTouch is engineered for quick & easy installation and fits into the standard ANSI/BHMA A156.115 cylindrical locks with lever door prep with one additional 3/4" hole and 7 screws including latchbolt and strike.

A.D.A.

The *inTouch* Series lever design meets accessibility guidelines of the Americans with Disabilities Act and the requirements of the Uniform Federal Accessibility Standards and ICC/ANSI A117.1 Accessible and Usable Buildings and Facilities, all requiring ease of accessibility for the handicapped.

door thickness

1-3/4" (44mm) door thickness standard. For use on 1-3/8" thick doors, a special thin door kit must be used. To order 1-3/8" thin door kit, specify part number 14-4761-0106. This kit includes inside and outside escutcheon spacers as well as a 2-3/8" latchbolt.

Note: using a 2-3/8" latchbolt results in Grade 2 certification on the lock.


installations

inTouch uses a cylindrical lock with levers door preparation with the addition of one 3/4" hole, therefore conforming to modified ANSI/BHMA Specifications A156.115 which cover hardware preparations for steel doors and steel frames and A156.115-W which cover hardware preparations for wood doors with wood or steel frames.

backset

2-3/4" (70mm) standard backset.

ANSI/BHMA

Certified ANSI/BHMA A156.2,  Series 4000 Grade 1.

handing

Locksets are non-handed.

latchbolt

1/2" (13mm) throw deadlocking latchbolt supplied standard. See page 9 for latchbolts.

power source

Powered by 4 AA alkaline batteries with optional hardwire input for 9VDC external power.

strikes

ANSI strike 4-7/8" x 1-1/4" x 1-1/4" (124mmx32mmx32mm) lip to center supplied standard. See page 10 for optional strikes.

free wheeling lever trim

The *inTouch* stand-alone touchscreen access lock features the Free Wheeling lever mechanism. When the outside lever is locked, it will rotate freely up and down while remaining securely locked.



contents

Introduction	2
Features	2-3
Operation and Dimensions	4
Lever Designs.....	5
Functions	6
Cylinders	7-8
Latchbolts	9
Strikes.....	10
Voice Guided Programming.....	11
Options and Accessories.....	11
Ordering Information.....	12
Sample Specification.....	13

fire listings


Functions are UL - cUL Fire Listed for use on fire doors having a rating up to and including 3-hours.

Note: Any retrofit or other field modification to a fire rated opening can potentially impact the fire rating of the opening, and Yale Locks & Hardware makes no representations or warranties concerning what such impact may be in any specific situation. When retrofitting any portion of an existing fire rated opening, or specifying and installing a new fire-rated opening, please consult with a code specialist or local code official (Authority Having Jurisdiction) to ensure compliance with all applicable codes and ratings.

warranty

The *inTouch* stand-alone touchscreen access lock carries a three-year warranty. Likewise, *inTouch* carries a lifetime warranty against lever sag and lever spring breakage.

windstorm

Certified (refer to local codes).  Hurricane

finishes

ANSI/BHMA Code	Finish Description
605	Bright Brass, Clear Coated
613E	Dark Oxidized Satin Bronze - equivalent
626	Satin Chrome Plated

inTouch | stand-alone touchscreen access lock

features



additional features

- Menu access to voice guided programming available through touchscreen. See page 11 for more information.
- Pre-programmed voice options: English (default), Spanish or French.
- Visual and tone playback confirmation provides positive reassurance while operating.
- Silent mode available to disable tone playback for use in quiet areas.
- Auto re-lock time – default of 5 seconds.
- Keypad Shutdown – Deters tampering by disabling the keypad for a default of 180 seconds after five successive wrong code entries.
- Hardwire capable for external power using remote 9VDC power supply and plug-in wall transformer.
- Remote unlock available for allowing access through switch.
- Weather resistant. Operational in temperatures ranging from -40°F to +140°F (-40°C to +60°C) at 95% relative humidity when used with an external power supply.



operation and dimensions

unlock with a touch

1. Touch the screen with the palm of your hand or fingers to activate.



2. Enter the Master or a User PIN code.



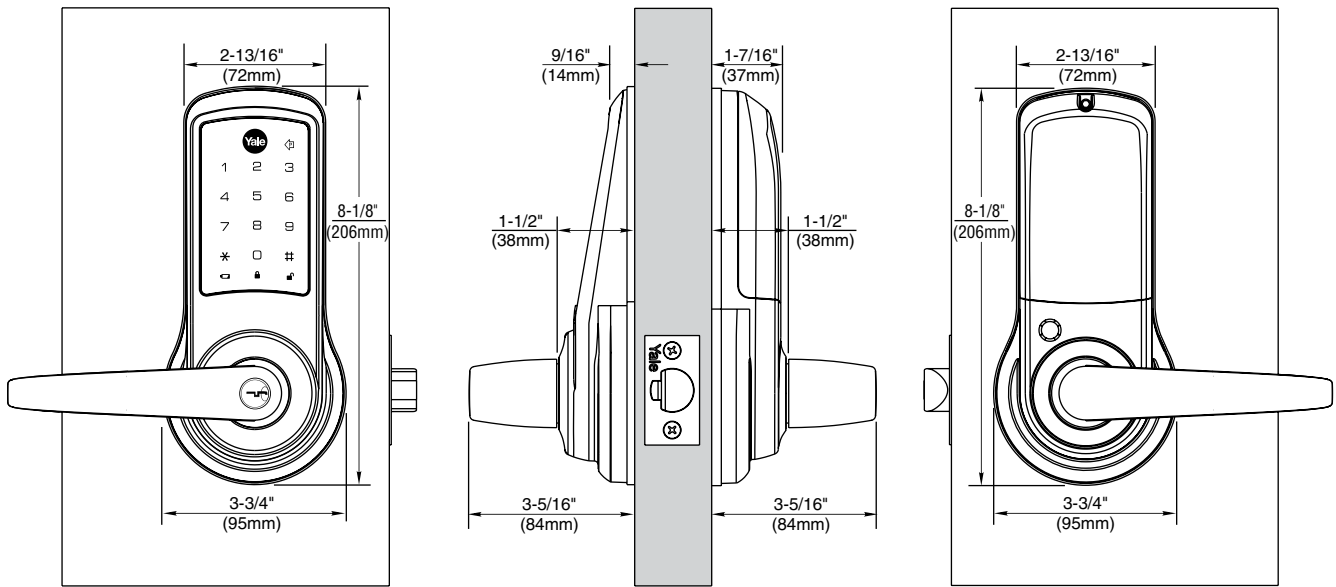
3. Palm touch the screen or press the * key to confirm the selection.



4. Turn lever to open door.



dimensions

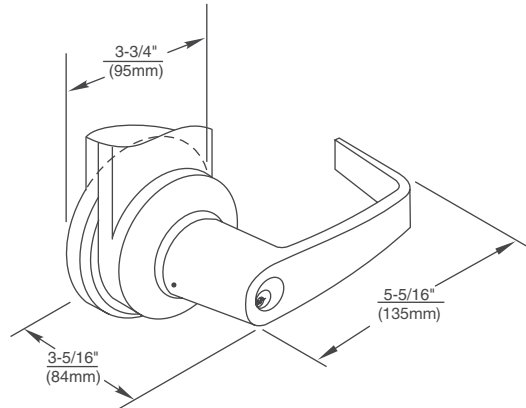


Dimensions given in inches (mm).

lever designs

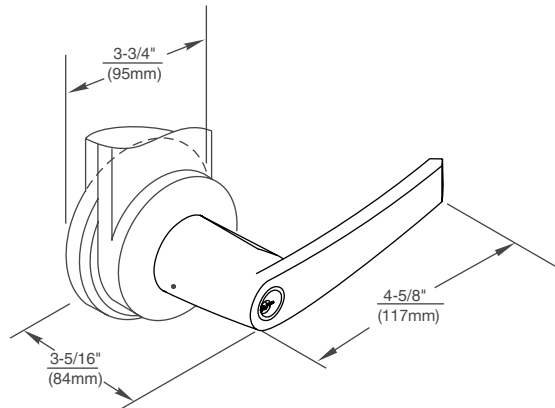
Augusta AU

Lever: Cast Zinc



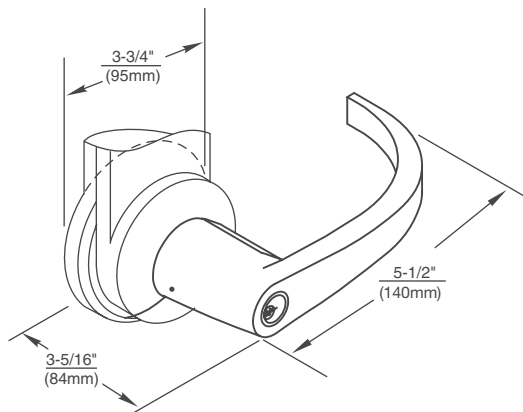
Monroe MO


Lever: Cast Zinc



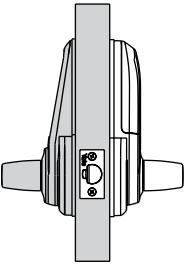
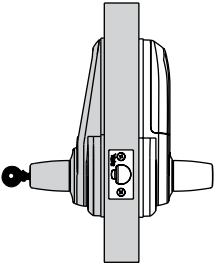
Pacific Beach PB

Lever: Cast Zinc



 All levers available with small and large format interchangeable core. See pages 7 & 8 for details.

functions

E4760LN	E4761LN
<p>Without Cylinder Override</p> <ul style="list-style-type: none"> • For doors that do not require mechanical key override. • Latchbolt retracted by lever outside with valid PIN code, or by operating lever inside. • Inside lever always active. • Deadlocking latchbolt. <div style="text-align: center;">  </div> <p style="display: flex; justify-content: space-around;"> Outside Inside </p>	<p>With Cylinder Override</p> <ul style="list-style-type: none"> • For doors that require mechanical key override. • Latchbolt retracted by lever outside with valid PIN code; by use of mechanical key, or by operating lever inside. • Inside lever always active. • Deadlocking latchbolt. <div style="text-align: center;">  </div> <p style="display: flex; justify-content: space-around;"> Outside Inside </p>

Lever handles are Free Wheeling in locked position. Shaded area denotes Free Wheeling lever.

cylinders

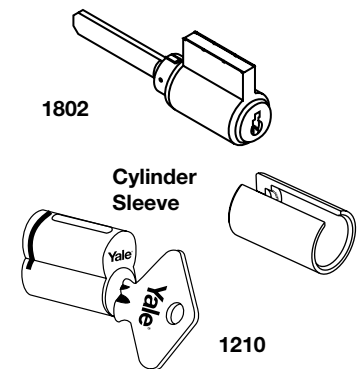
cylinder options

The following selection guide indicates the correct cylinder for each locking segment.

Lockset Series inTouch®		Types of Cylinder Mechanisms								
		Conventional		Protected Keyway		Security		High Security		
Cylinder Types	Fixed Core	6-pin	7-pin	6-pin	7-pin	6-pin	7-pin	6-pin	7-pin	
	Key-In-Lever	1802*	N/A	K402*	N/A	5802*	N/A	N/A	N/A	
	Interchangeable Core									
	LFIC	1210	N/A	K800	N/A	5210	N/A	N/A	N/A	
SFIC	N/A	N/A	K600	K600	N/A	N/A	N/A	N/A		

Refer to Yale® KeyMark® and/or Cylinders and Keys Catalog sections for all details and how-to-order examples.

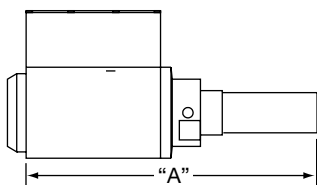
Note: The 1802 Cylinder requires an adapter sleeve to fit in the inTouch lockset. (P/N 14-5305-9078-999)



* Locksets shipped prior to March 2012 only, for 1-3/8" door thickness, prefix E to cylinder number. i.e. E1802, EK402, E5802

tailpiece length (units shipped prior to March 2012 only)

inTouch cylinders for 1-3/8" thick doors use a modified tailpiece. Using the incorrect length tailpiece will damage the lock. See dimension "A" for the proper length from the shoulder of the cylinder to the end of the mounted tailpiece.



Door Thickness	Dimension "A"
1-3/8"	2-5/8"
1-3/4"	2-7/8"

Yale® KeyMark®

For those applications requiring protected key control, Yale® KeyMark® cylinders guard against unauthorized key duplication. The *Yale KeyMark Security Leg®* keyway feature increases resistance against picking and impressioning and can easily retrofit into existing systems. For further details and availability, refer to the separate *Yale KeyMark* catalog.



security cylinders

Security cylinders contain two independent locking mechanisms. The first is a traditional 6-pin tumbler mechanism with spool drivers for greatly increased picking resistance.

The second is an innovative 5-tumbler rotating disc mechanism with sidebar engagement. The rotating discs are spring loaded and block the bottom of the keyway.

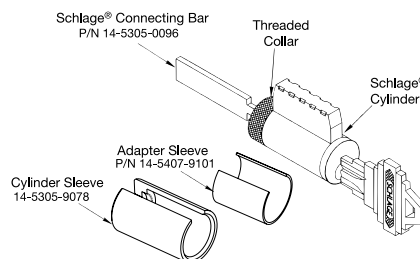
cylinders

108S Schlage® cylinder adapter kit

Kit used to modify Schlage® cylinder for fit inTouch®.

P/N 14-5407-9101-999 - 108S

Kit includes tailpiece and sleeve. To order the 108S adapter kit, use an "S" prefix (i.e., S-AU x E4761LN).



other manufacturer keyway cylinders

Illustration	Description	Model Number	Number of Pins
	Best® Keyway Cylinder. Available keyed random, master keyed or uncombined. Specify keyway A, B, C, D, E, F, G, H, J, K, L or M.	A600	6 or 7
	Schlage® "C" Keyway. Available 0-bitted or keyed random.	2802*	6
	Corbin Russwin "L4", Corbin "60", Russwin "D1", Sargent® "LA" or Schlage® "E" Keyway. Specify keyway. Available keyed random.	3804*	6

*The 2802 and 3804 cylinders require an adapter sleeve (P/N 14-5407-9101-999) and a cylinder sleeve (P/N 14-5305-9078-999) to fit the inTouch® lockset. 3804 cylinders are not ANSI/BHMA certified.

levers accepting SFIC and other manufacturers' large format interchangeable cores

	Description	Prefix	Number of Pins
	SFIC (Accepts all Small Format Interchangeable Cores)	B (i.e. B-AU, B-MO, B-PB)	6 or 7
	Corbin Russwin (LFIC)	R (i.e. R-AU)	6
	Medeco®, ASSA® (LFIC)	M (i.e. M-AU)**	6
	Sargent (LFIC)	SG (i.e. SG-AU, SG-PB)	6
	Schlage® (LFIC)	SI (i.e. SI-AU, SI-PB)	6

**Medeco®, ASSA® option available only with AU lever. (Note: For Medeco 32 series cores.)

LFIC = Large Format Interchangeable Core

SFIC = Small Format Interchangeable Core

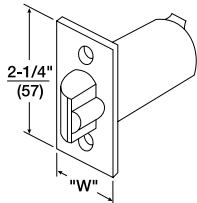


latchbolts

deadlocking latchbolts

Model No. 694 supplied standard with all inTouch® locksets. Model No. 694 latchbolt has a 2-1/4" x 1-1/8" front with a 2-3/4" backset and a 1/2" bolt throw. Optional latchbolts to special order.

Model No.	Front	Backset	"W" Front Width	Throw	Latch Diameter
694 (standard)	Beveled	2-3/4" (70mm)	1-1/8" (29mm)	1/2" (13mm)	1" (25mm)
F694	Flat	2-3/4" (70mm)	1-1/8" (29mm)	1/2" (13mm)	1" (25mm)
480B	Beveled	2-3/4" (70mm)	1-1/8" (29mm)	3/4" (19mm)	1" (25mm)
F480B	Flat	2-3/4" (70mm)	1-1/8" (29mm)	3/4" (19mm)	1" (25mm)



When ordering latchbolts separately, specify Model No. x Finish (e.g., 694 x 626). For 2-3/8" backset, contact Customer Support.

attaching screws

(Not regularly supplied when latchbolts ordered separately).

For all latchbolts

#8-8-32 x 3/4" (19mm) Phillips flat head combination wood and machine screws.

Brass - P/N 81-2022-0416*

Bronze - P/N 81-2032-0416*

*specify finish required

strikes

Yale® inTouch® Locksets are available with a variety of strike options. All strikes are located on the same vertical and horizontal center lines as the latchbolt. Some strikes are available in a variety of lip lengths to accommodate varying thickness of doors and frames. To determine the proper length of the lip, measure from the center line of the strike to the edge of the jamb and add 1/4" (6mm). All strikes are reversible.

<p>Model No. 497 ANSI Strike (Standard) For door and frames with ANSI/BHMA A156.115 preparations. 1-1/4" supplied standard. 1-1/8", 1-1/2", and 1-3/4" lip lengths available by special order.</p>	<p>Model No. 371 T-Strike (Optional) 1-1/4" curved lip supplied standard. 1", 1-1/2", 1-3/4", and 2" curved lip lengths available by special order. Wrought strike box supplied.</p>	<p>Model No. 202 Strike Box for ANSI Strike (Optional) Specify 497 x 202</p>
---	---	---

attaching screws

(Not regularly supplied when strikes ordered separately).

For Model No. 371

#8-8-32 x 3/4" (19mm) Phillips flat head combination wood and machine screws.

P/N 81-2012-0416

For Model No. 497

#12-12-24 x 1" Phillips flat head combination wood and machine screws.

P/N 81-2012-0620

NOTE: When ordering strike or attaching screws individually, specify the finish required; i.e. 497 x 202 x 626; 81-2012-0620 x 626.

programming and options

voice guided programming with a simple touch

Voice guided prompts and the interactive touchscreen make updates to programming simple and effortless.

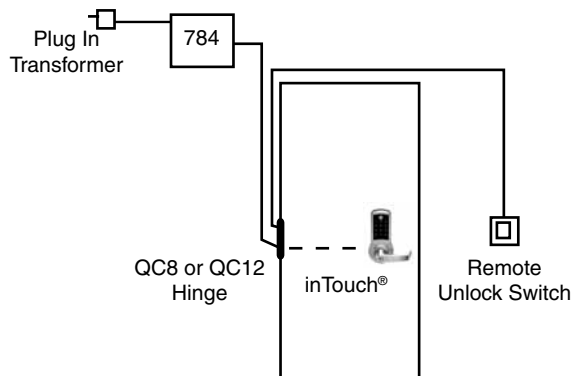
inTouch® features a single programming mode with a total of 255 PIN codes available for access. All programming is performed through the touchscreen by use of the Master code (which also grants access) and voice guided prompts.

The lock can be programmed for Passage mode, Silent mode, Lockout mode or alternate language settings. Auto re-lock time, wrong code entry limits and shut down times are adjustable can be changed from factory default.

options and accessories

Part Number	Description
784	Optional remote 9VDC power supply with plug-in wall transformer (used for hardwiring up to two <i>inTouch</i> locks).
WH-28	Remote unlock and power wire harness (used for hardwiring).
00-0000-3425	Replacement plug-in wall transformer with 12' cable assembly for 784 power supply.
00-0000-3426	Gel cell battery - optional for use with 784 power supply.
IN490	Specialty template to aid in field prepping doors for <i>inTouch</i>
INCL	Universal clamp for holding specialty templates. For 1-3/4" thick door, 2-3/4" backset.
CP1	Cosmetic Plate - used when retrofitting to cover existing door prep. (For units shipped prior to March 2012)

hardwire option diagram



Hardwiring Made Easy®



ElectroLynx®

As part of our promise to provide innovative, fast and effective, and higher security solutions to our customers, Yale offers ElectroLynx, a universal quick-connect system that simplifies the electrification of the door opening. ElectroLynx® is a registered trademark of ASSA ABLOY, Inc.

ordering information

From this outline select the model Number for the Yale® inTouch® you require.

Design	Function	Latch	Strike	Cylinder	Door Thickness	Finish
See Page 5	See Page 6	See Page 9	See Page 10	See Pages 7-8	See Page 2	See Page 2

ordering example

Quantity	Design	Function	Latch	Strike	Cylinder	Door Thickness	Finish
100	AU	E4761LN	694	497	1802	1-3/4"	626

packing

Each box has a paper door marker, combination wood and machine screws and easy-to-follow installation and programming instructions. Cylinder functions supplied with two keys. Three shelf boxes to a case.

sample specification

PART 2 - PRODUCTS

STAND-ALONE TOUCHSCREEN OPERATED LOCKSETS

Stand-alone operated locksets to consist of a Certified ANSI/BHMA A156.2, Series 4000, Grade 1 locking mechanism complete with touchscreen used for access. Integrated locking units shall offer a single programming mode with a Master code and 255 User codes and allow for programming directly through the touchscreen interface. Lever design shall meet ANSI A117.1 Accessibility Guidelines with locking function(s) to be as specified in the hardware sets. Inside lever always free for open egress. Unless otherwise indicated, stand-alone touchscreen locksets to match standard mechanical locksets for backset and strike.

Stand-alone touchscreen operated locksets shall meet the following requirements:

- Menu access to voice guided programming available through touchscreen.
- Pre-programmed voice options: English (default), Spanish or French.
- Visual and tone playback confirmation with Silent Mode option.
- Illuminated Touchscreen that responds to human touch and returns to sleep mode after granting access.
- Auto-relock mode, passage mode or lockout mode (no touchscreen access, with key-override functions only) programmable through touchscreen interface.
- 255 users with 4 through 12-digit PIN code selection. 6-digit user personalized Master PIN code.
- Battery-operated, with low power indicator, or hard-wired (9 Volt external power supply) option.
- Free-wheeling lever mechanism (outside lever swings freely up and down while remaining securely locked) provided as standard.
- Non-handed for 1-3/4" (44mm) thick doors. Optional thin door kit for 1-3/8" (35mm).
- UL Listed for use on fire doors up to 3-hour rating.
- Capable of accepting Yale® 6-pin standard, small and large format interchangeable core, security and protected keyway cylinders with master keying capabilities.
- Weather resistant.
- Three-year warranty.
- Certified ANSI/BHMA Grade 1

a. Specified Manufacturer:

- Yale Locks & Hardware: inTouch® Series.



online literature and templates

For the latest information on Yale Locks & Hardware products, visit our website at: www.yalelocks.com

Click on the "Product Information" button to find:

- Catalogs
- Parts manuals
- Templates
- Specifications
- Installation instructions

Yale® customers can click on the ebusiness symbol  on the website to register for an ebusiness account to:

- Check the status of orders
- Check availability of QuickShip items
- Track your order and confirm delivery
- Receive email notification of template changes
- And More...

Or contact us at:

U.S.A.

Yale Locks & Hardware

Address: 225 Episcopal Road, Berlin, CT 06037-4004

Tel: 1-800-438-1951 • Fax: 1-800-338-0965 • www.yalelocks.com

Canada:

ASSA ABLOY Door Security Solutions Canada

Address: 160 Four Valley Drive, Vaughan, Ontario L4K 4T9

Tel: 1-800-461-3007 • Fax: 1-800-461-8989 • www.assaabloy.ca

International:

ASSA ABLOY Americas International

Tel: 1-905-821-7775 • Fax: 1-905-821-1429 • www.assaabloyai.com

Yale Locks & Hardware is a division of Yale Security Inc., an ASSA ABLOY Group company.

Yale® and inTouch® are registered trademarks of Yale Security Inc., an ASSA ABLOY Group company. KeyMark® and Security Leg® are registered trademarks of Medeco Security Locks, Inc., an ASSA ABLOY Group company. Other products' brand names may be trademarks or registered trademarks of their respective owners and are mentioned for reference purposes only. These materials are protected under U.S. copyright laws. All contents current at time of publication. Yale Security Inc. reserves the right to change availability of any item in this catalog, its design, construction, and/or its materials. Copyright © 2009, 2014 Yale Security Inc., an ASSA ABLOY Group company. All rights reserved. Reproduction in whole or in part without the express written permission of Yale Security Inc., an ASSA ABLOY Group company is prohibited.

YALE, with its unique global reach and range of products, is the world's favorite lock.

ASSA ABLOY is the global leader in door opening solutions, dedicated to satisfying end-user needs for security, safety and convenience.

42659-2/14RE