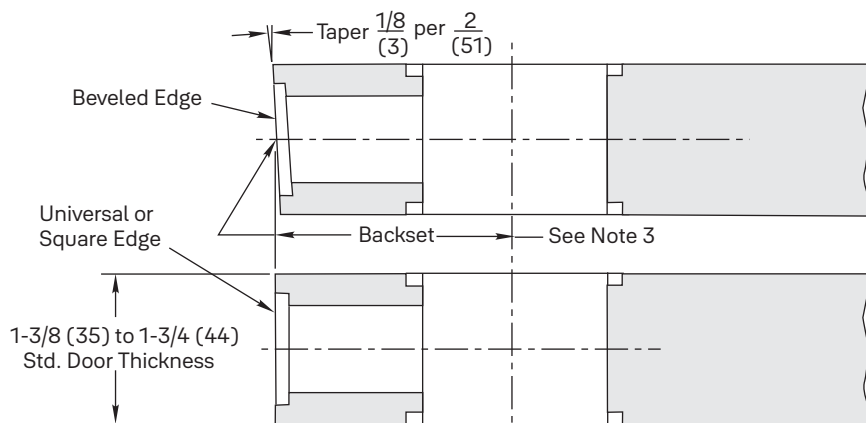


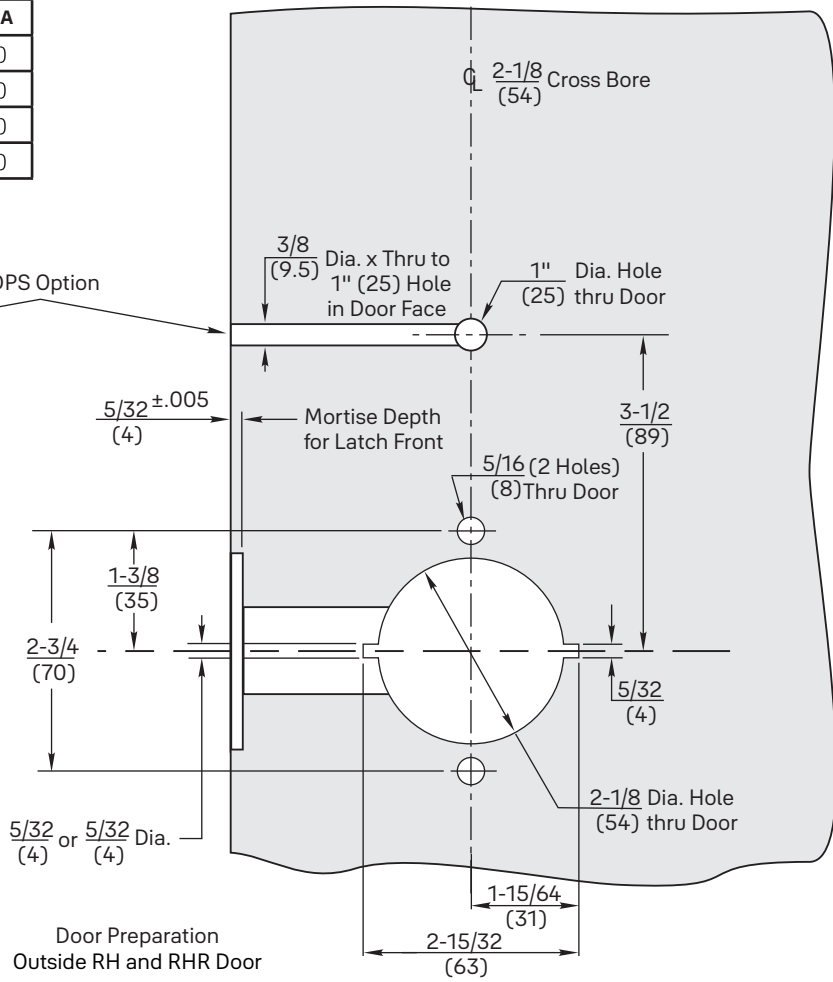
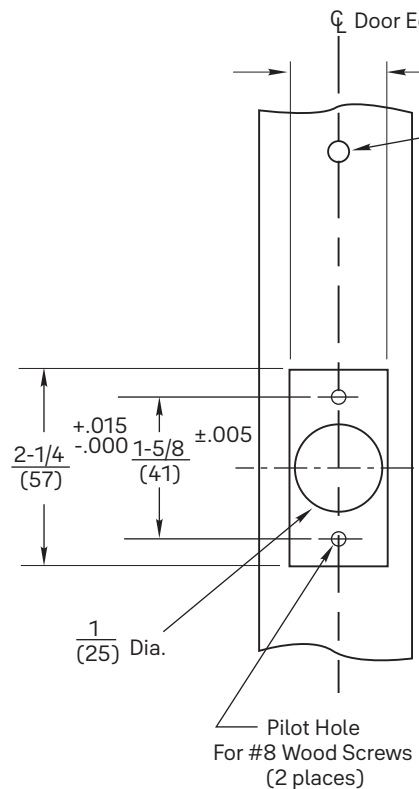
Notes:

1. Do not scale drawing.
2. For strike preparation refer to:
  - 371 Strike - Template No. 7102-0005
  - 497 Strike - Template No. 7102-0003
3. Backset: 2-3/4" (70mm) standard
4. For H.M. door preparation refer to: Template No. 80-8150-0033-010
5. All dimensions given in inches (mm).



nexTouch™ Cylindrical Locks	
NTB610/612	Cylinder Override - Push Button
NTB620/622	Cylinder Override - Cap Touch
NTB630/632	No Cylindrical Override - Push Button
NTB640/642	No Cylindrical Override - Cap Touch

nexTouch™ Cylindrical Locks				
Latch No.	Front	Backset	Latchbolt Throw	Front Dim. A
694 (std)	Beveled	2-3/4" (70)	1/2" (13)	1-1/8" (29)
F694	Flat	2-3/4" (70)	1/2" (13)	1-1/8" (29)
480B	Beveled	2-3/4" (70)	3/4" (19)	1-1/8" (29)
F480B	Flat	2-3/4" (70)	3/4" (19)	1-1/8" (29)



RESPONSIBILITY

DOOR AND FRAME MANUFACTURERS ARE RESPONSIBLE FOR PROVIDING ADEQUATE CONSTRUCTION OR REINFORCEMENTS FOR PROPER INSTALLATION OF HARDWARE SHOWN. ALL ARCHITECTURAL BUILDERS HARDWARE MUST BE INSTALLED ON PROPERLY REINFORCED DOORS AND FRAMES, REGARDLESS OF TYPE, MATERIAL, OR METHOD OF CONSTRUCTION.

nexTouch™ Cylindrical Locks  
Wood Door Preparation  
2-3/4" (70mm) Backsets



1-800-438-1951  
www.yalelocks.com

SUPERSEDES	DO NOT SCALE DRAWING	
TEMPLATE NUMBER	SHEET	DATE
80-8150-0034-010	1 of 1	09/22