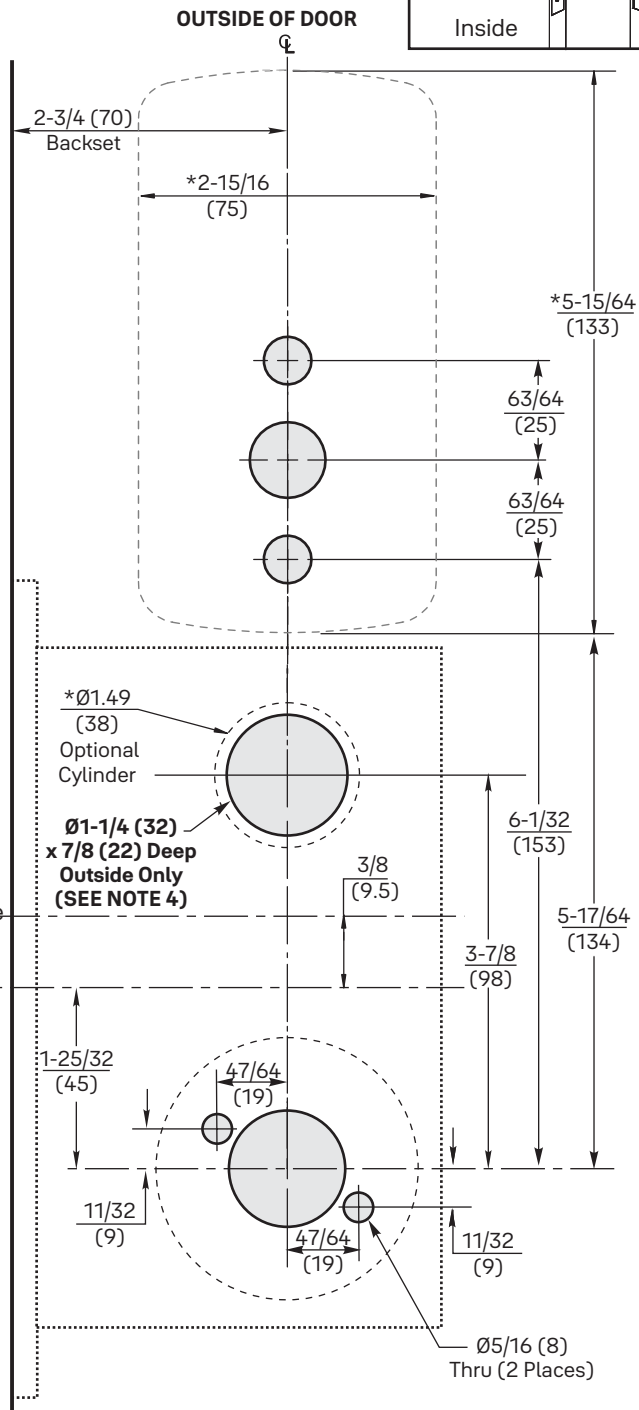
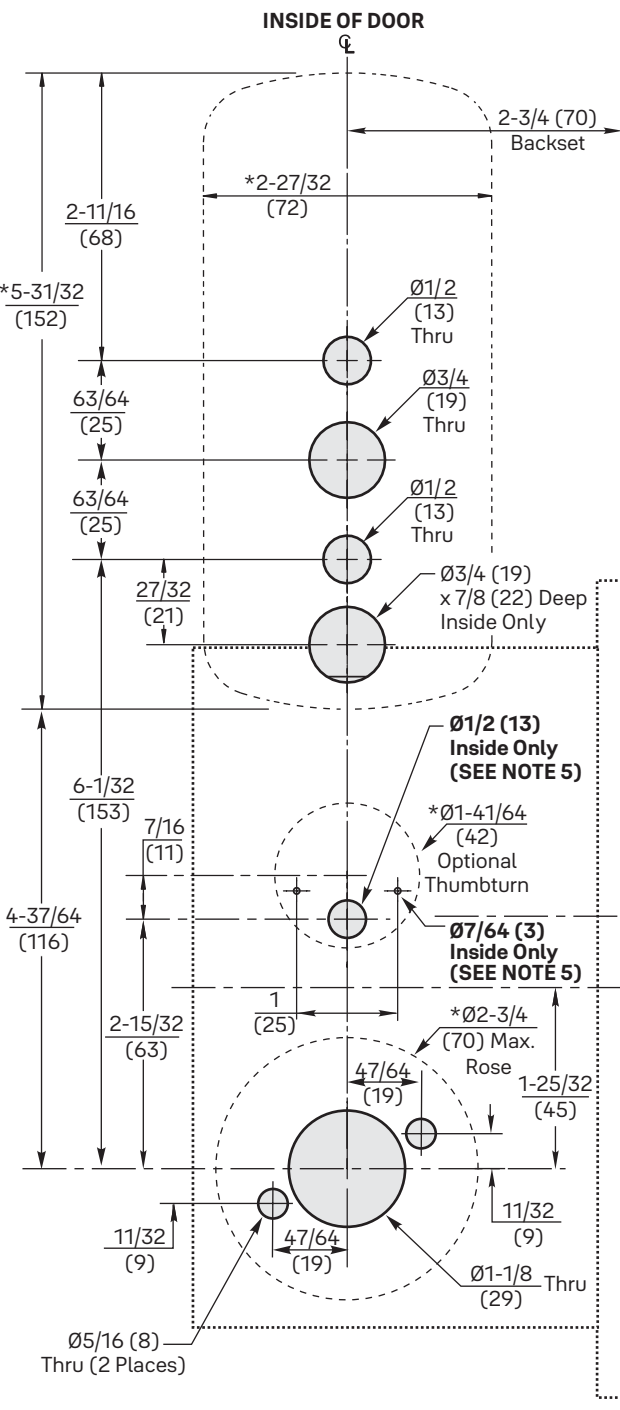
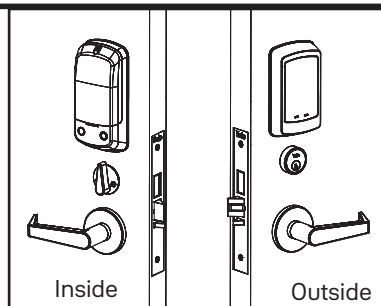


Notes:

(*) Escutcheon & Trim Positions and Sizes

1. Do not scale.
2. All dimensions given in inches (mm).
3. For lock and strike preparation, see templates 7086-8003 (H.M.) and
4. 7086-8004 (Wood Door, H.M. Frame).
5. Cylinder hole ONLY for: NTM610/612, NTM615/617, NTM620/622, NTM625/627.
6. Thumbturn holes ONLY for: NTM615/617, NTM625/627, NTM635/637, NTM645/647.



RESPONSIBILITY

DOOR AND FRAME MANUFACTURERS ARE RESPONSIBLE FOR PROVIDING ADEQUATE CONSTRUCTION OR REINFORCEMENTS FOR PROPER INSTALLATION OF HARDWARE SHOWN. ALL ARCHITECTURAL BUILDERS HARDWARE MUST BE INSTALLED ON PROPERLY REINFORCED DOORS AND FRAMES, REGARDLESS OF TYPE, MATERIAL, OR METHOD OF CONSTRUCTION.

nexTouch® Access Mortise Lock
Wood and H.M. Door Preparation
Thru Bolted Sectional Lever Trim



1-800-438-1951
www.yalecommercial.com

SUPERSEDES	DO NOT SCALE DRAWING	
TEMPLATE NUMBER	SHEET	DATE
80-8420-1000-999	1 of 1	02/23

Experience a safer and more open world

Copyright © 2022, 2023, ASSA ABLOY Access and Egress Hardware Group, Inc. All rights reserved. Reproduction in whole or in part without the express written permission of ASSA ABLOY Access and Egress Hardware Group, Inc. is prohibited.