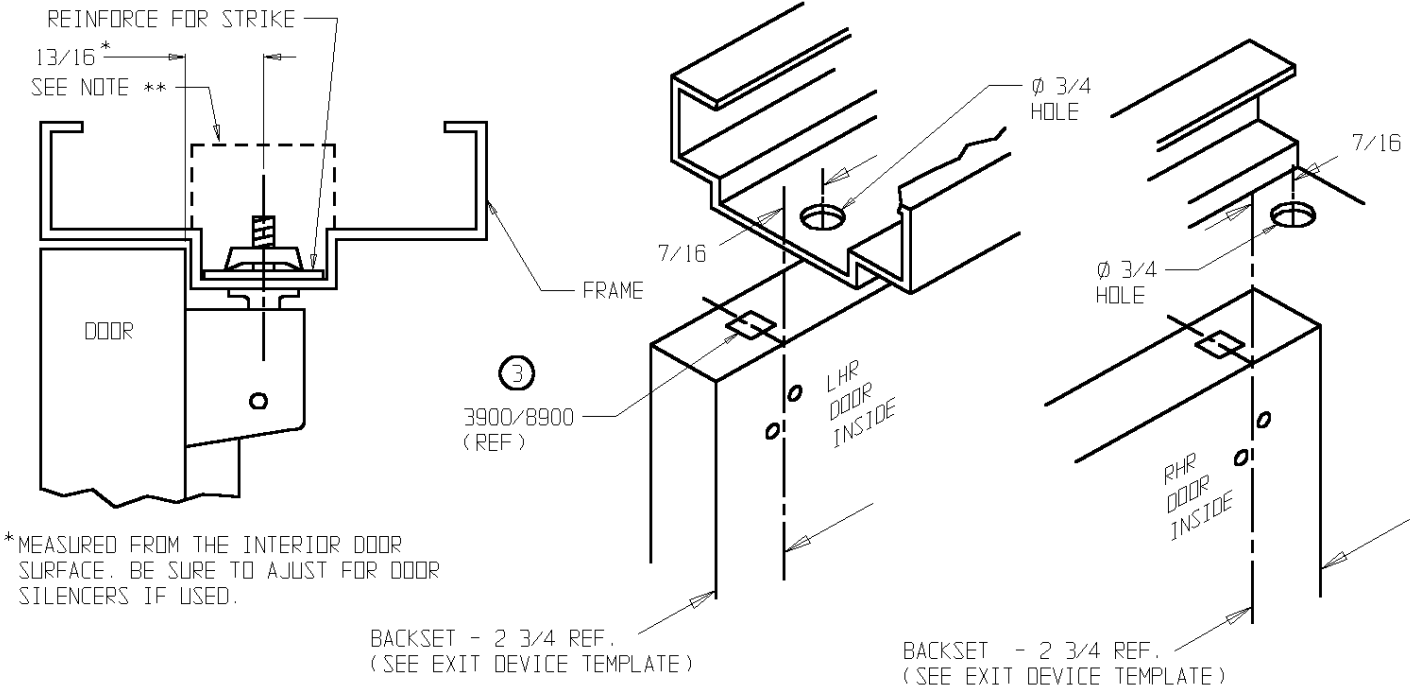


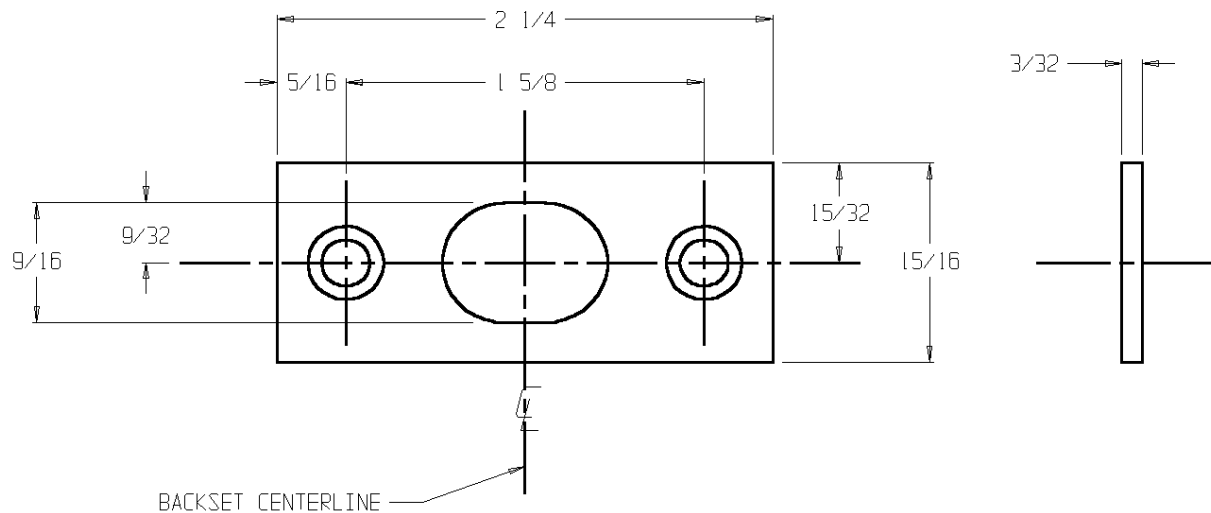
NOTE ** - GROUT FILLED FRAMES REQUIRE BLOCKING/MORTAR GUARD 1 1/2" X 1 1/2" X 1 1/2" MINIMUM CENTERED ON 3/4" HOLE FOR TOP STRIKE ADJUSTMENT.

SVR TOP STRIKE PREPARATION



* MEASURED FROM THE INTERIOR DOOR SURFACE. BE SURE TO ADJUST FOR DOOR SILENCERS IF USED.

SVR BOTTOM STRIKE PREPARATION (3100 ONLY)



(MORTISE IN FLOOR-NO PROJECTION)

ADAMS RITE MANUFACTURING COMPANY
POMONA, CA 91767

3100/3900/8900 SVR ③
TOP & BOTTOM (3100)
STRIKE PREPARATION

NOTE: SEE MASTER SHEET 10001 FOR SUGGESTED REINFORCEMENT

ECN NO. 9981

TEMPLATE NO.: 30010-4

DATE: 02-17-98