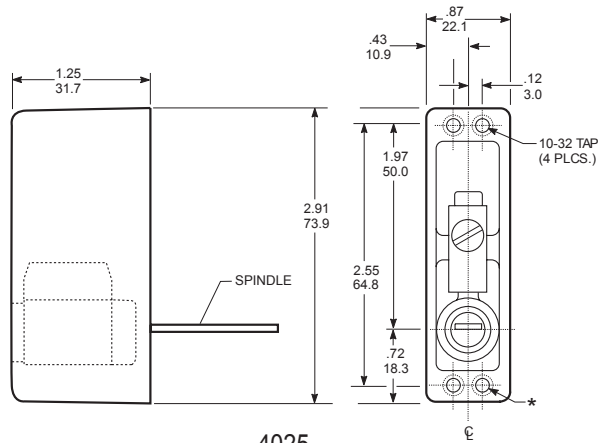


INCHES  
MILLIMETERS  
Nominal, subject to tolerance extremes.

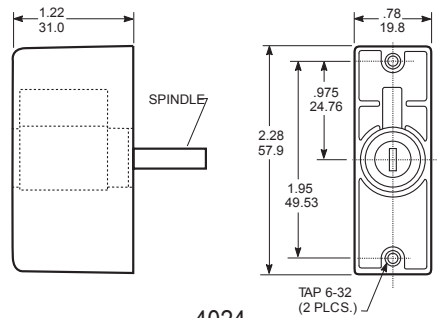


4025

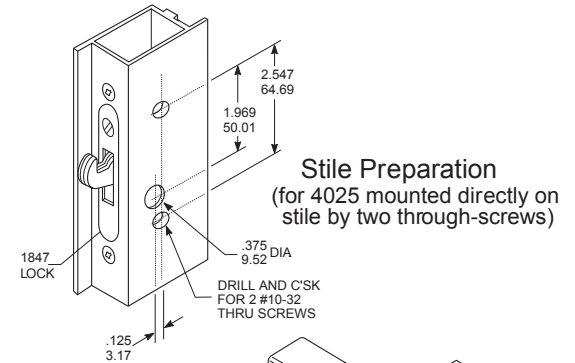
\* 4026, like 4025 but with mounting holes on centerline for use with 5017 lock available on high quantity order.

STANDARD PULLS	
PULL No.	CYLINDER INCLUDED:
4025	ADAMS RITE
4025-1	NONE (DUMMY)
4025-5	SCHL AGE 22-001
4025-6	WEISER KEYWAY

SPECIAL PULLS	
PULL No.	FURNISH CYLINDER:
4025-3	LOCKWOOD R-71, H-71, S-71
4025-4	SARGENT SIXLINE
4025-8	CORBIN 471AR
4025-9	RUS SWIN AR848
4025-10	DEXTER 9094
4029	BEST 5A5A2
4025-15	MEDECO 20-800

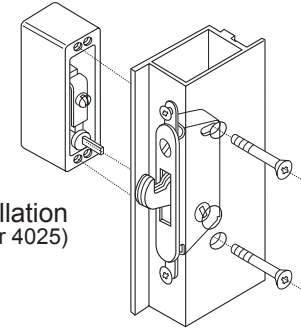


4024

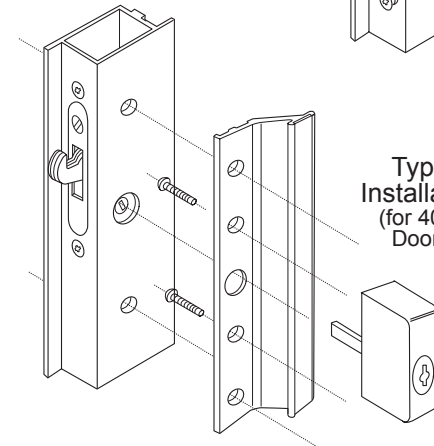


Stile Preparation  
(for 4025 mounted directly on  
stile by two through-screws)

Installation  
(for 4025)



Typical  
Installation  
(for 4024 on  
Door Pull)



ADAMS RITE MANUFACTURING CO.

260 Santa Fe Street, Pomona, CA 91767  
Phone: (909) 632-2300 Fax: (909) 632-2369

4024-4025 Series Cylinder Pulls