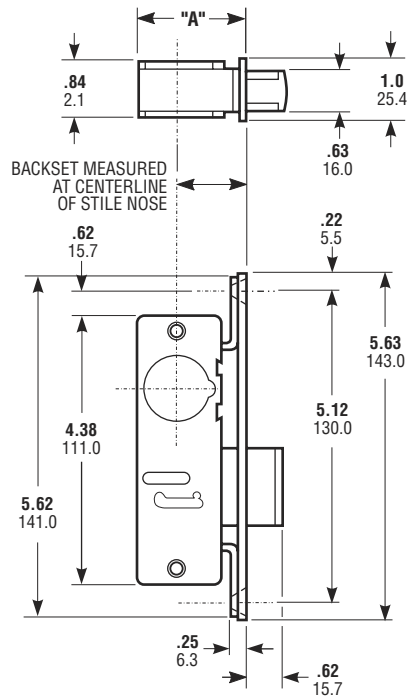


## DIMENSIONS

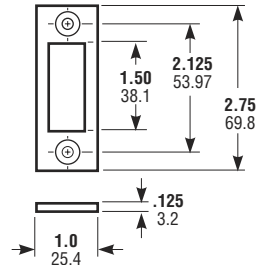
INCHES  
MILLIMETERS

Nominal, subject to tolerance extremes.

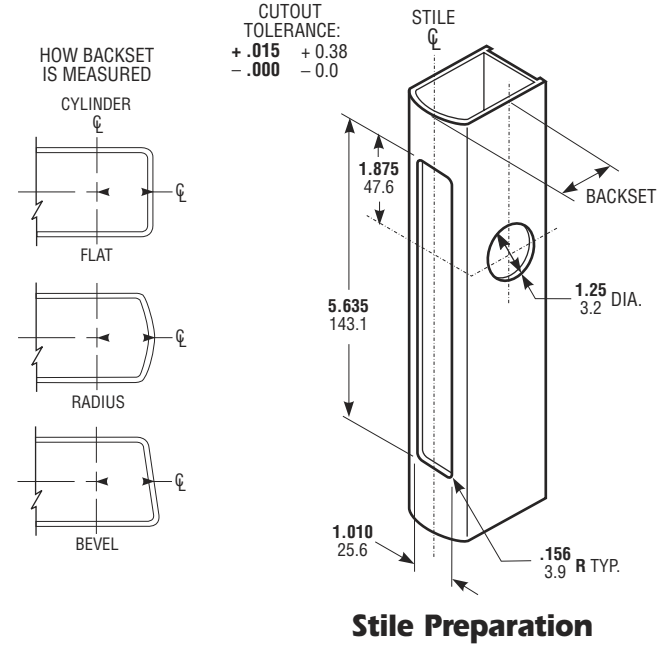


BACKSET	"A"
7/8"	1.57
31/32"	1.63
1-1/8"	1.78
	22.2
	24.6
	28.6
	39.9
	41.4
	45.2

### 4170 Trim Strike



## INSTALLATION



**ADAMS RITE MANUFACTURING CO.**

260 Santa Fe Street, Pomona, CA 91767  
Phone: (909) 632-2300 Fax: (909) 632-2369

**4070 Series Short Throw Deadbolt**