

# 4570 ICU

## Latch Operator

The 4570 ICU Latch Operator specifically addresses the easy access needed for sliding doors in hospital ICU wards. This device meets code requirements for self-latching door mechanisms on ICU doors.



Aluminium

Sliding  
Door

## Function

Created to specifically address the easy access needed for sliding doors in hospital ICU wards. This device meets code requirements for self-latching door mechanisms on ICU doors, when used in conjunction with the Adams Rite 5017 Deadlock/Latch or the MS1847 Deadlock/Latch.

## Operation

A pair of ergonomically–designed handles activate an Adams Rite hookbolt deadlatch from either side of the door. The 4570 ICU Latch Operator utilizes the Adams Rite 5017 Deadlock/ Latch or MS1847 Deadlock/Latch (available separately). Doors can be opened swiftly and easily with one natural motion. The 4570 ICU Latch Operator is known for durability and strength-in-small-packages.

## Features

### Handle

The handles are positioned parallel with the stile to provide faster latching and unlatching of the door. Rugged construction ensures dependable performance, with a high-wear spring to return the handles to their position after use.

### Escutcheon

1" x 4" x 1/2" escutcheon, designed to match the clean lines of a narrow stile door.

### Standard Package

Individually boxed with mounting hardware.

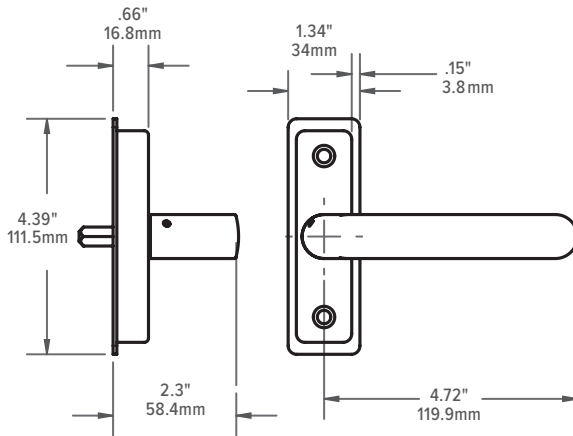
### Shipping Weight

1-1/2 lb

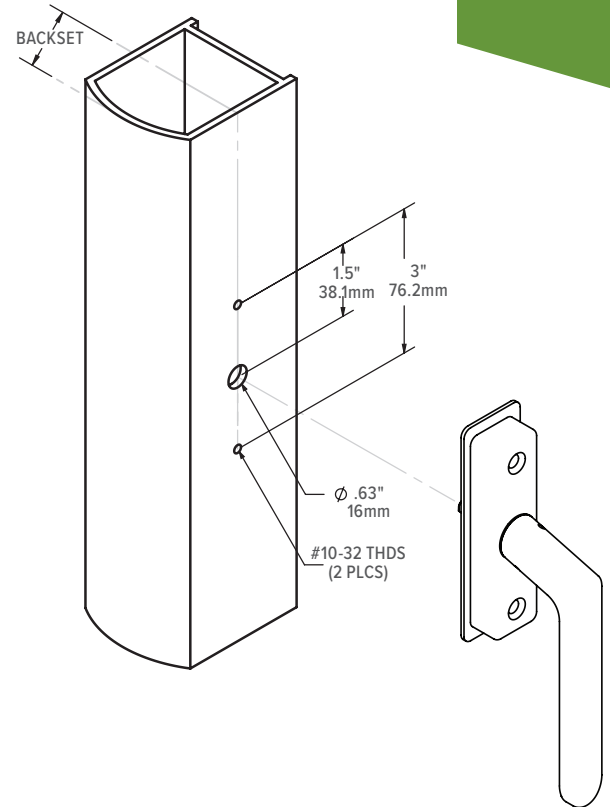
## Options

- Lever handles and escutcheon available in 130 Satin Aluminum, 121 Dark Bronze or 119 Black finishes.

## Dimensions



## Installation



## How to Order & Compatible Products

**4570 ICU Latch Operator:** Specify quantity and the following information. Order related products separately.

MODEL	FINISH
4570-01	-130
	119 To match 335 Black Anodized
	121 To match 313 Dark Bronze Anodized
	130 To match 628 Clear Anodized

### COMPATIBLE PRODUCTS

This product is compatible with the following products.

DEADLOCKS
5017 Deadlock/Deadlatch, self-latching only
MS1847 Deadlock/Deadlatch, self-latching only