



LISTED

4605 / 4606 Only

# Accessories

## For Power Supplies

### 4603 Rectifier

The 4603 Rectifier converts low voltage AC current to DC of same voltage. Installs in low voltage line between transformer and strike. Full wave bridge type. Rated 2 Amps (200 PIV).



### 4605 Transformer

The 4605 Transformer converts 120 VAC to 12/24 VAC. Rated 40 Volt-amp output assures sufficient power for electric strike.

#### Certifications

UL listed



### 4606 Plug-In Transformer

The 4606 Plug-In Transformer converts 120 VAC current to 24 VAC. Plugs into standard wall outlet.

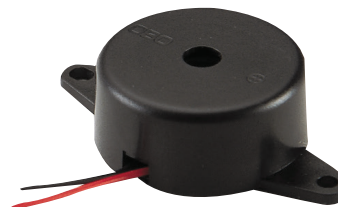
#### Certifications

UL listed



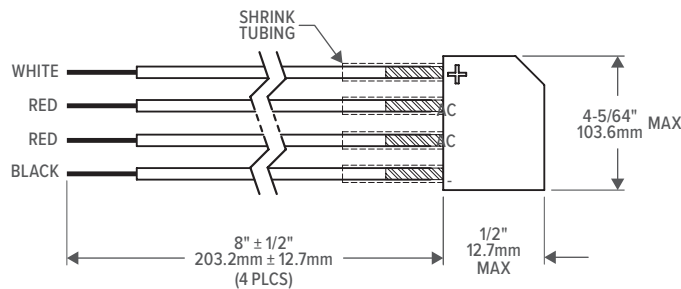
### 29-0218 Piezo Horn

Provides for audible indication when a DC electric strike is energized. Compatible with 12, 16, or 24 VDC electric strikes.

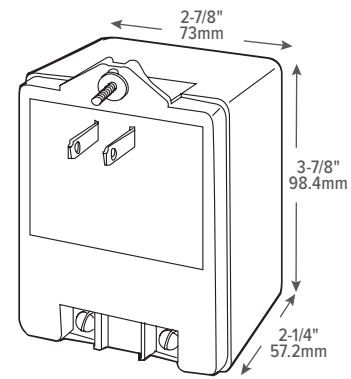


## Dimensions

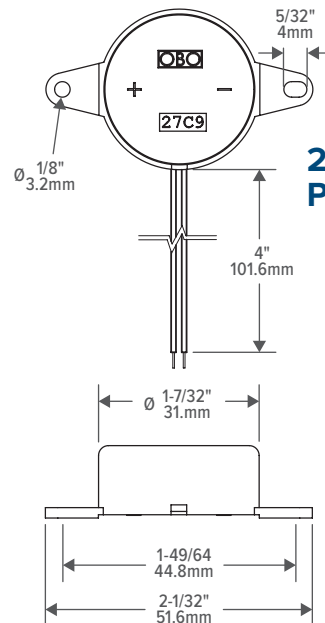
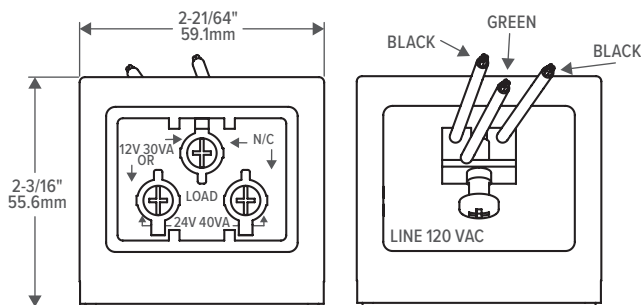
### 4603 Rectifier



### 4606 Plug-In Transformer



### 4605 Transformer



### 29-0218 Piezo Horn

## How to Order, Related & Compatible Products

**Accessories:** Specify quantity and the following information. Order compatible products separately.

MODEL	ACCESSORY
460	3
	3 Rectifier
	5 Transformer
	6 Transformer (Plug-In)

**RELATED PRODUCTS** When purchasing this product, please consider the following available separately:

POWER
PS-1, PS-SE, PS-LR Power Supply, 4612 Power Transfer Device

### COMPATIBLE PRODUCTS

DEADLOCKS	DEADLATCHES	EXIT DEVICES	ELECTRIC STRIKES	TRIM
2190, 2290 Electrified Interconnected Deadbolt/Deadlatch	4300 Electrified Deadlatch	8700, 8800 electrified rim exit devices with EL options	7100/7101, 7110/7111, 7130/7131, 7140, 7160, 7170 Electric Strikes, 7240, 7270 Fire-Rated Electric Strikes, 7400/7401, 7410/7411, 7430/7431, 7440, 74R1, 74R2 Electric Strikes	3080E Series Entry Trim