



4800

Series Strikes

4800 Series Strikes add aesthetics and finish to strike cutouts in metal or wood jambs.

4800

With vertical adjustment to accommodate door/jamb misalignment and a shim system for horizontal positioning to match various jamb bumper designs, the 4800 Series Strikes can be fit to nearly any sliding door using a mortised MS1847 Deadlock/Deadlatch.

Materials

Steel, heat treated. Shims are ABS plastic. Available in choice of Zinc (603) finish, US32D (630) Satin Stainless.

MS4804

This reinforcing strike provides strength equal to the strength of the stainless steel bolt of the MS1847 Deadlock/Deadlatch: tested to 1000 lbs [453.59 kg] of force. This strength by far exceeds the standards of the Architectural Aluminum Manufacturers Association as well as the strictest current municipal security ordinance.

Faceplate

Measures 1/16" x 3/4" x 3-3/8" [1.6 mm x 19.1 mm x 85.7 mm]. Steel, plated for corrosion resistance. MS4804-10 available in US32D (630) Satin Stainless.

Reinforcing Plate

Measures 1/16" x 1/2" x 3-3/8" [1.6 mm x 12.7 mm x 85.7 mm]. Steel, plated for corrosion resistance. Tapped for furnished #10-32 flathead screws.



4801



4804

Features

Standard Package

All strikes are individually packaged with screws and shim if required.

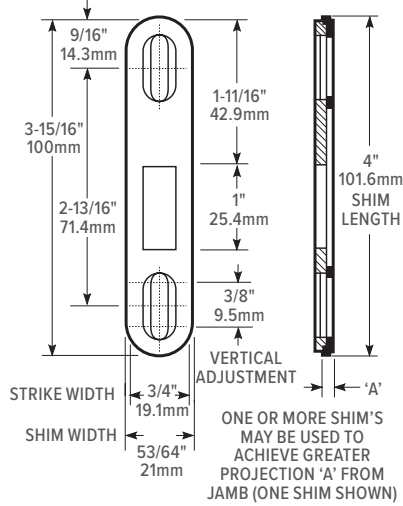
4801 Strikes are furnished with sheet metal screws for metal jamb installation.

4802 Strikes are furnished with machine screws and tee nuts which are installed on the back side of the jamb to provide the strongest possible anchorage in wood.

Shipping Weight

1/2 lb [0.23 kg]

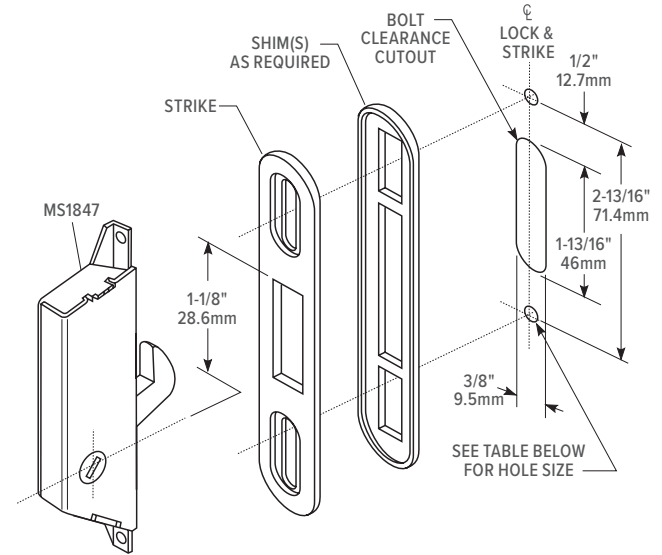
Dimensions 4800 Series



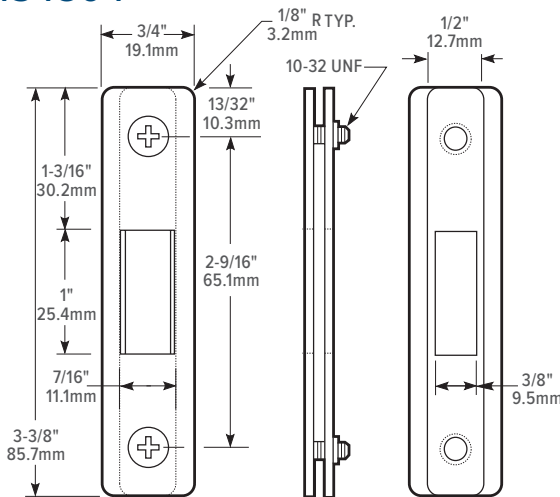
| APPLICATION | PART NO. | SHIMS | DIMENSION 'A' |
|--|----------|---------------|---------------|
| Metal jambs (furnished with two #8 x 1 sheet metal screws) | 4801 | NONE | 0 |
| | 4801-01 | 1 | 3/32" (2.4mm) |
| | 4801-02 | 2 | 3/16" (4.8mm) |
| Wood jambs (furnished with two #8-32 x 7/8" machine screws and two tee nuts) | 4802 | NONE | 0 |
| | 4802-01 | 1 | 3/32" (2.4mm) |
| | 4802-02 | 2 | 3/16" (4.8mm) |
| 4802-03 | 3 | 9/32" (7.1mm) | |

Jamb Preparation 4800 Series

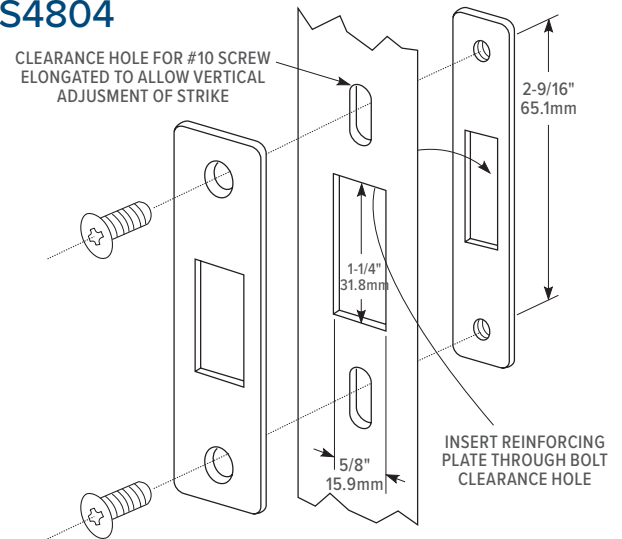
| | HOLE SIZE | |
|---------------------------------------|----------------|----------------|
| Metal jamb application 4801 series | 1/8" 3.2mm | (No. 31 DRILL) |
| Wood jamb application 4802 series | 7/32" 5.6mm | (No. 3 DRILL) |



Dimensions MS4804



Jamb Preparation MS4804



How to Order & Compatible Products

4800, MS4804 Strikes: Specify quantity and the following information. Order related products separately.

| MODEL | TYPE OF JAMB | DIMENSION 'A' | FINISH |
|-------|--------------|------------------|-----------------------|
| 480 | 1 | -02 | -630 |
| | 1 Metal | 01 3/32" (2.4mm) | 603 Zinc Plated Steel |
| | 2 Wood | 02 3/16" (4.8mm) | 630 Satin Stainless |
| | | 03 9/32" (7.1mm) | |

COMPATIBLE PRODUCTS

| DEADLOCKS |
|---------------------------|
| MS1847 Deadlock/Deadlatch |