

4901, 4902

Deadlatch Strikes

4901, 4902 Deadlatch Strikes add aesthetics and finish to strike cutouts in jambs.

Function

Designed for use in conjunction with 4300, 4500, 4700, and 4900 Series Deadlatches, these strikes offer a choice of mounting methods. A backup mounting plate included with the 4901 and 4902 allows installation flush in a hollow section jamb. Accommodates the 1/2" [12.7 mm] wide latchbolt of 4500/4700 Series Deadlatches and 5/8" [15.9 mm] wide latchbolt of 4900 Series Deadlatches by removing snap-in nylon insert.



Aluminium

Hollow
Metal

Wood

Features

4901

-01

Flush mount flat strike. Standard slat strike includes molded black plastic dust box and closure of the unused lower strike opening, with steel mounting plate. Long face is designed to span strike area of MS® deadlocks with which the deadlatch is interchangeable.

-02

Flush mount radius strike. Same as 4901-01, except with radiused strike plate, for nose of opposite door when latching pairs.

4902

-01

Short box flat strike. Standard flat strike furnished with the 4900 Series Heavy Duty Deadlatches. Includes molded black plastic dust box and steel mounting plate. Short face design.

-02

Short box radius strike. Same as 4902-01, except with radiused strike plate, for nose of opposite door when latching pairs.

Materials

Strike plate is stainless steel. All strikes are unhandled, suitable for right or left hand doors.

Shipping Weight

1/2 lb [0.23 kg]

Options

- Use 4506-02 ANSI strike for wood or steel jambs.

RELATED PRODUCTS

When purchasing this product, please consider the following related products, available separately:

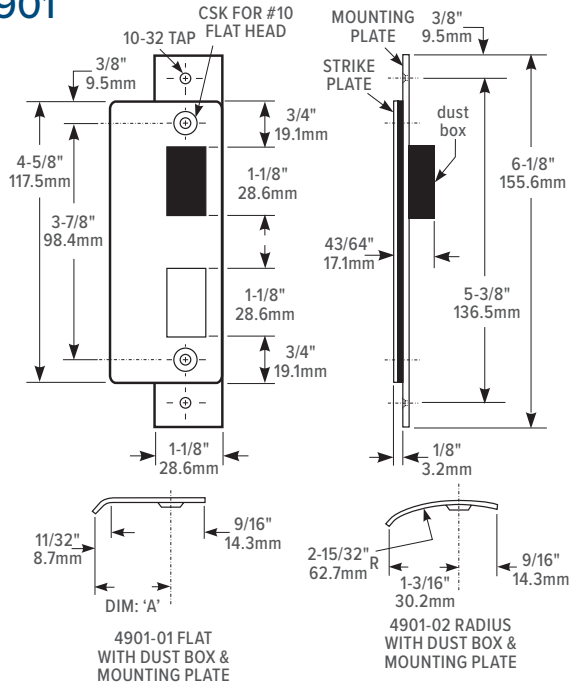
OPTIONS & ACCESSORIES

Extended Lip Strikes

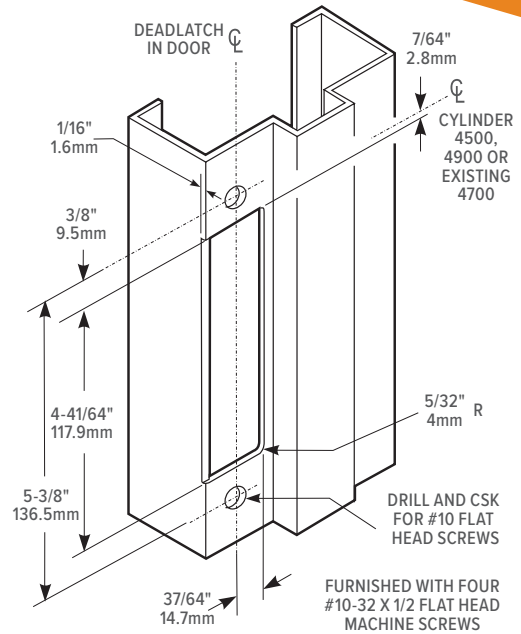
COMPATIBLE PRODUCTS

DEADLATCHES	EXIT DEVICES
4300 Electrified Deadlatches, 4510, 4530, 4900, 4920AN (4506-02 only) Series Deadlatches.	8300 (4506-02 only), 8400 Mortise Exit Device

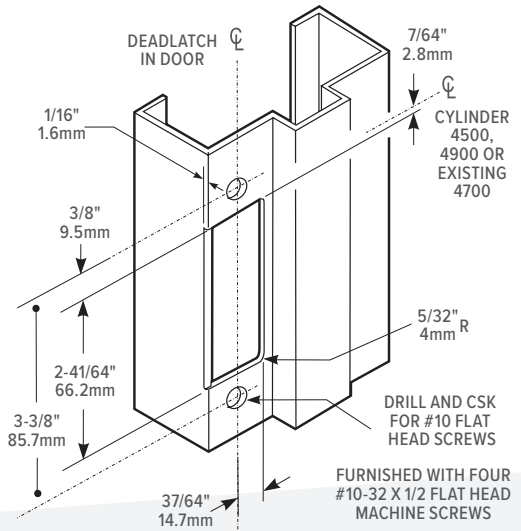
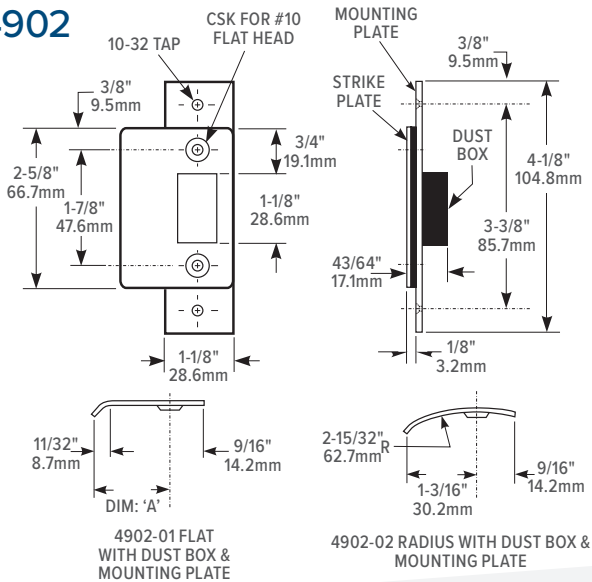
Dimensions 4901



Installation



4902



How to Order, Related & Compatible Products

4901, 4902 Deadlatch Strikes Specify quantity and the following information. Order related products separately.

MODEL	STRIKE TYPE	FACEPLATE SHAPE					FINISH
490	1	-02					630
		STANDARD LIP	LONG LIP FOR CENTER HUNG DOOR	DIM. 'A'	LONG LIP FOR CENTER HUNG DOOR	DIM. 'A'	
	1 Long	01 Flat	03 2-1/4" Wide Jamb	1-1/8	13 3-1/2" Wide Jamb	1-3/4	119 To match 335 Black Anodized
	2 Short	02 Radius	05 2-1/2" Wide Jamb	1-1/4	15 3-3/4" Wide Jamb	1-7/8	121 To match 313 Dark Bronze Anodized
			07 2-3/4" Wide Jamb	1-3/8	17 4" Wide Jamb	2	630 Satin Stainless Steel
			09 3" Wide Jamb	1-1/2	19 4-1/4" Wide Jamb	2-1/8	
			11 3-1/4" Wide Jamb	1-5/8	21 4-1/2" Wide Jamb	2-1/4	