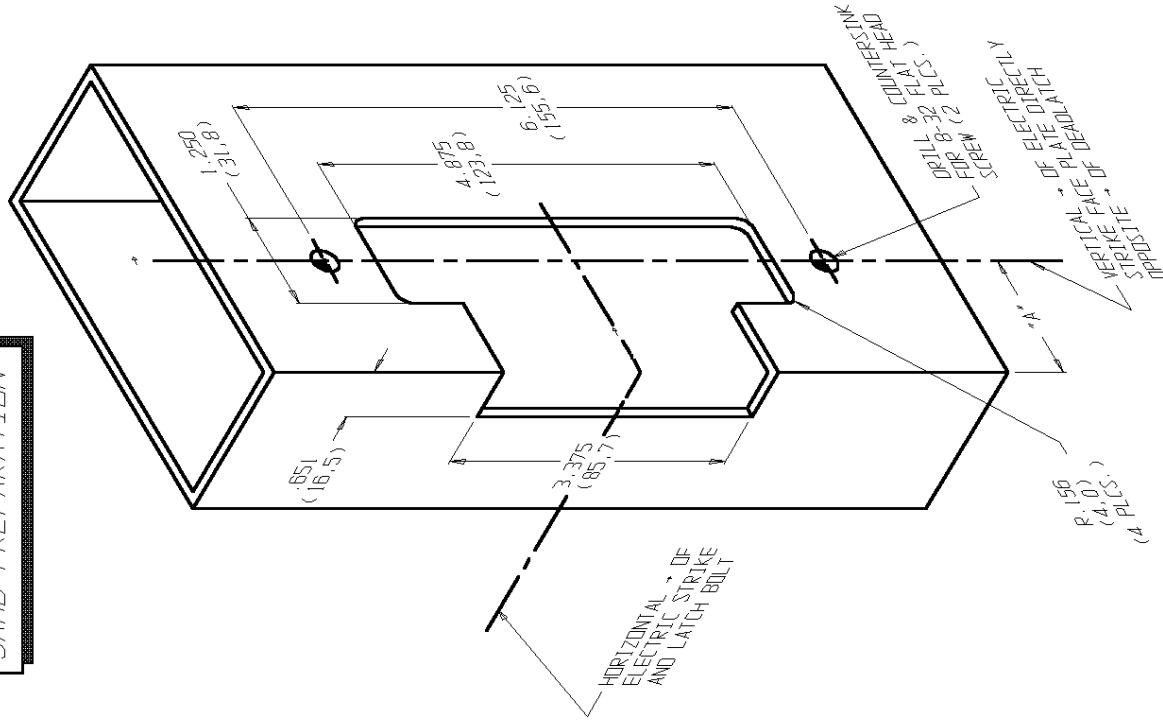
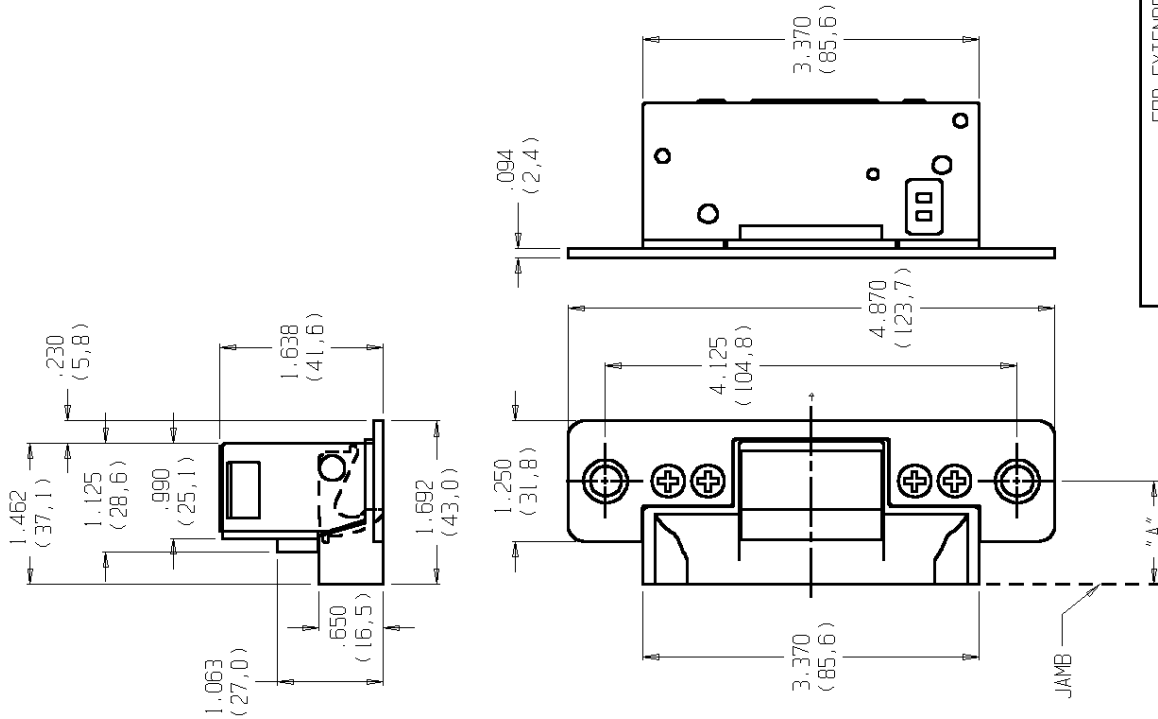


JAMB PREPARATION



ELECTRIC STRIKE DIMENSIONS



FOR EXTENDED LIP: (DIM "A" DOOR → TO JAMB EDGE)

DASH NO.	DIM "A"	DASH NO.	DIM "A"
NONE	1.06	-05	2.00
-01	1.50	-06	2.13
-02	1.63	-07	2.25
-03	1.75	-08	2.38
-04	1.88	-09	2.50

ADAMS RITE MANUFACTURING COMPANY
POMONA, CA. 91767

7100 ELECTRIC STRIKE
FOR ALUMINUM JAMB WITH
KEY-IN-KNOB LATCHES

REF. INSTRUCTION SHEET NO.:
80-0180-370

TEMPLATE NO.:
52100-0

DATE:
09-13-95