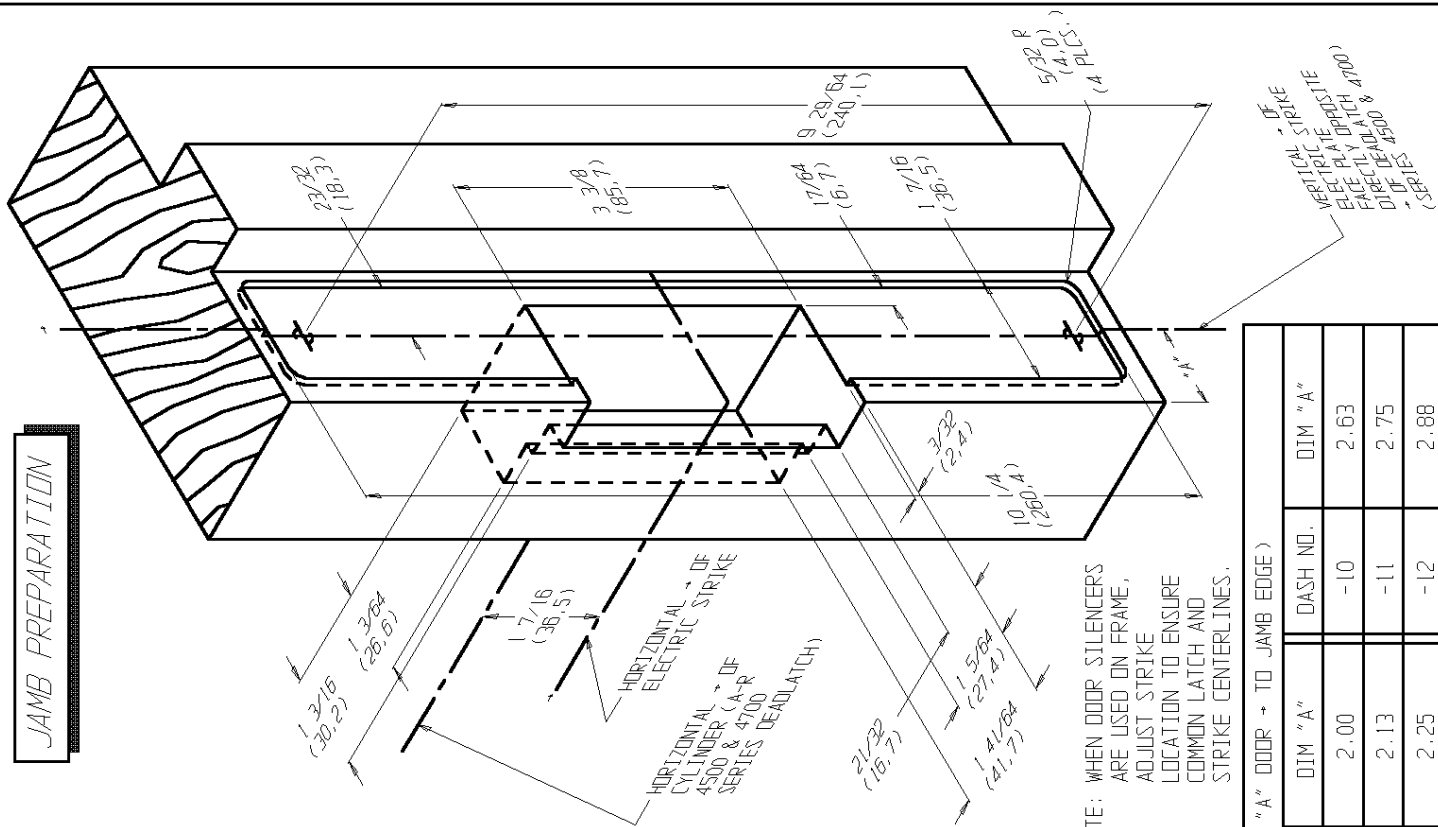
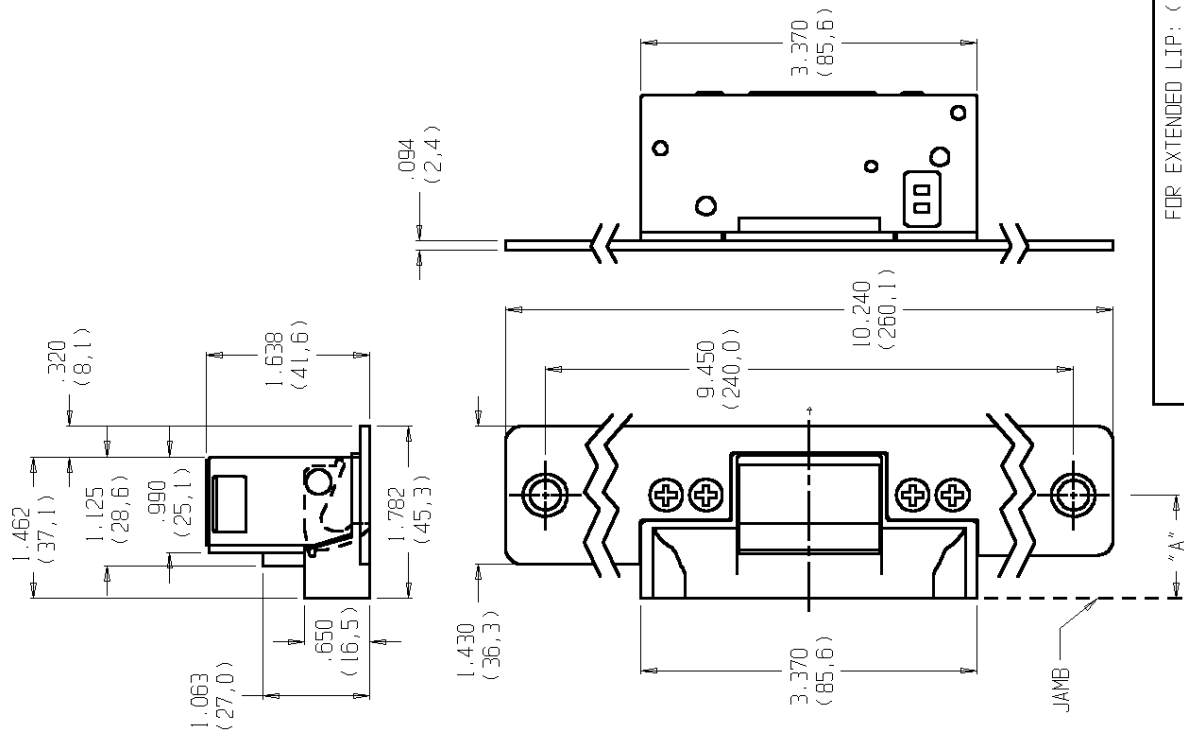


**JAMB PREPARATION**



**ELECTRIC STRIKE DIMENSIONS**



FOR EXTENDED LIP: (DIM "A" DOOR → TO JAMB EDGE)

DASH NO.	DIM "A"	DASH NO.	DIM "A"	DIM "A"	DIM "A"
NINE	1.06	-05	2.00	2.63	
-01	1.50	-06	2.13	2.75	
-02	1.63	-07	2.25	2.88	
-03	1.75	-08	2.38	3.00	
-04	1.88	-09	2.50		

STANDARD UNIT FITS DIM. "A" UP TO 1 1/16" (SEE DASH NO.)

ADAMS RITE MANUFACTURING COMPANY  
POMONA, CA. 91767

7111 ELECTRIC STRIKE  
FOR WOOD JAMB WITH  
A-R 4500/4700 DEADLATCHES

REF. INSTRUCTION SHEET NO.:  
80-0180-353

TEMPLATE NO.:  
52040-0

DATE:  
09-13-95