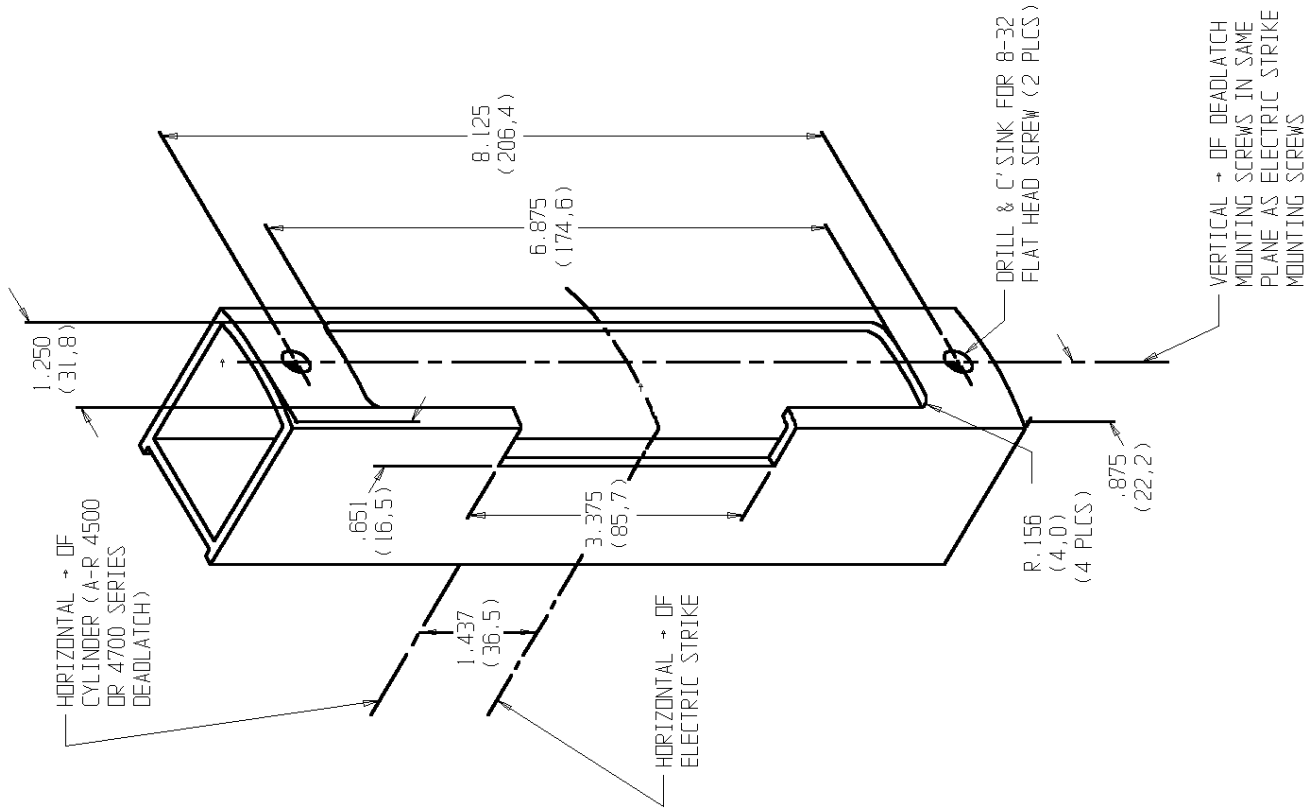
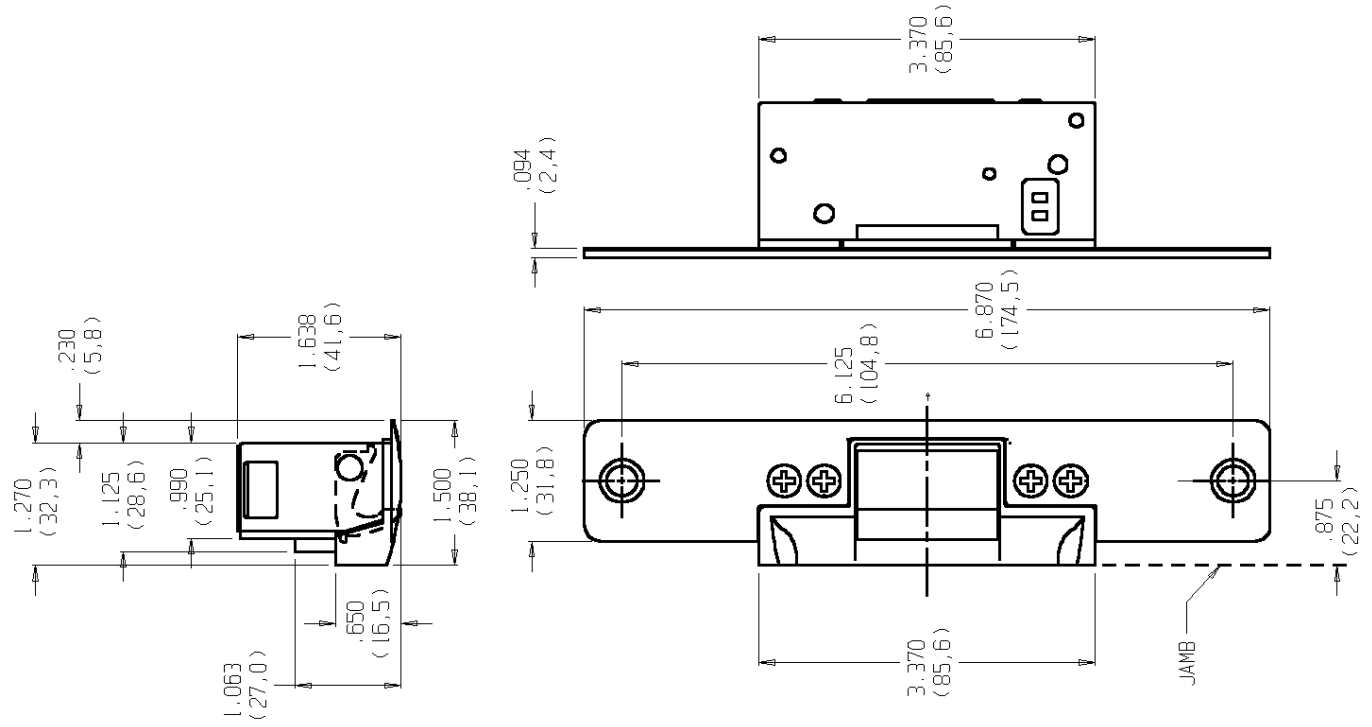


STILE PREPARATION



ELECTRIC STRIKE DIMENSIONS



ADAMS RITE MANUFACTURING COMPANY
POMONA, CA. 91767

7131 ELECTRIC STRIKE
FOR ALUMINUM STILE WITH
A-R 4500/4700 DEADLATCHES

REF. INSTRUCTION SHEET NO.:
80-0180-361

TEMPLATE NO.:
52070-0

DATE:
09-13-95