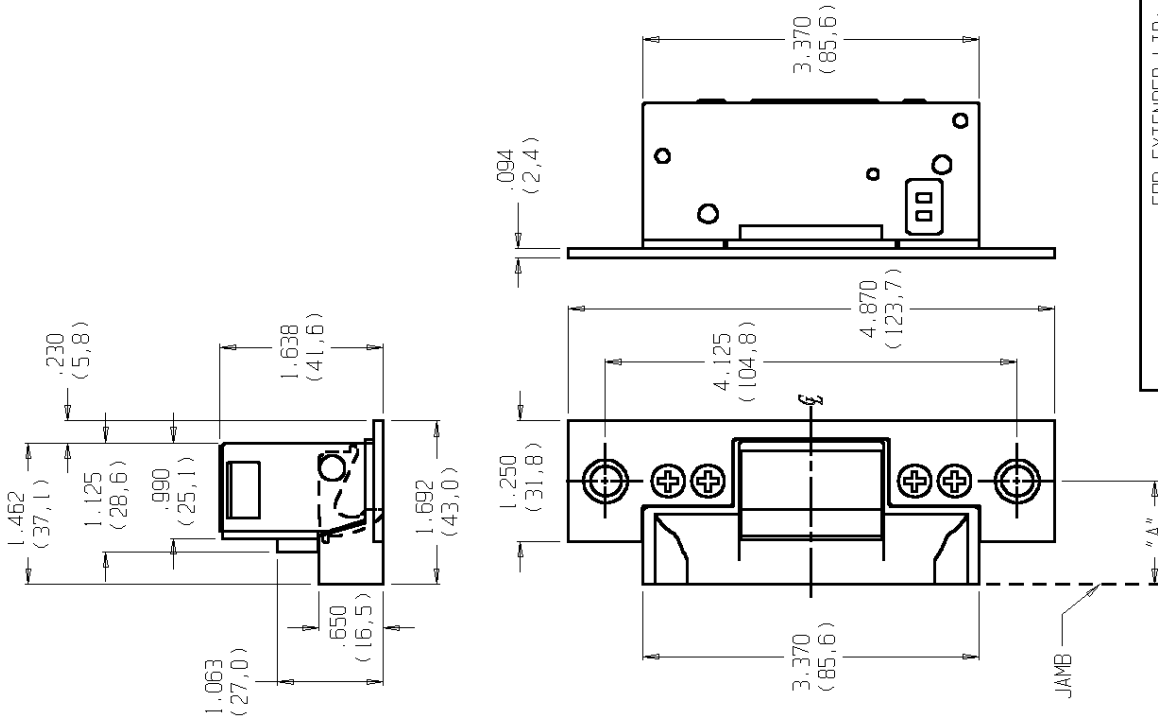


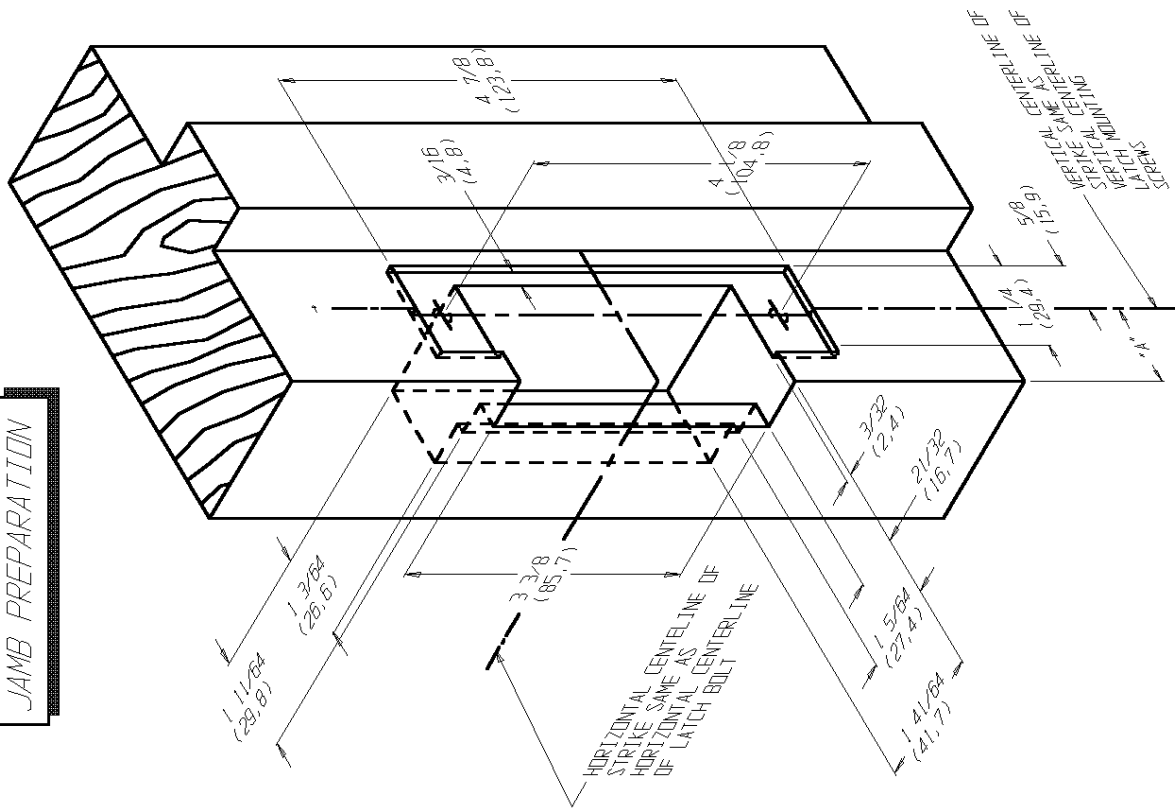
**ELECTRIC STRIKE DIMENSIONS**



ADAMS RITE MANUFACTURING COMPANY  
POMONA, CA. 91767

7140 ELECTRIC STRIKE  
FOR WOOD JAMB WITH  
KEY-IN-KNOB LATCHES

**JAMB PREPARATION**



NOTE: WHEN DOOR SILENCERS ARE USED ON FRAME, ADJUST STRIKE LOCATION TO ENSURE COMMON LATCH AND STRIKE CENTERLINES.

FOR EXTENDED LIP: (DIM "A" DOOR → TO JAMB EDGE)			
DASH NO.	DIM "A"	DASH NO.	DIM "A"
NINE	1.06	-10	2.63
-01	1.50	-11	2.75
-02	1.63	-12	2.88
-03	1.75	-13	3.00
-04	1.88		2.50

STANDARD UNIT FITS DIM. "A" UP TO 1 1/16" (SEE DASH NO.)