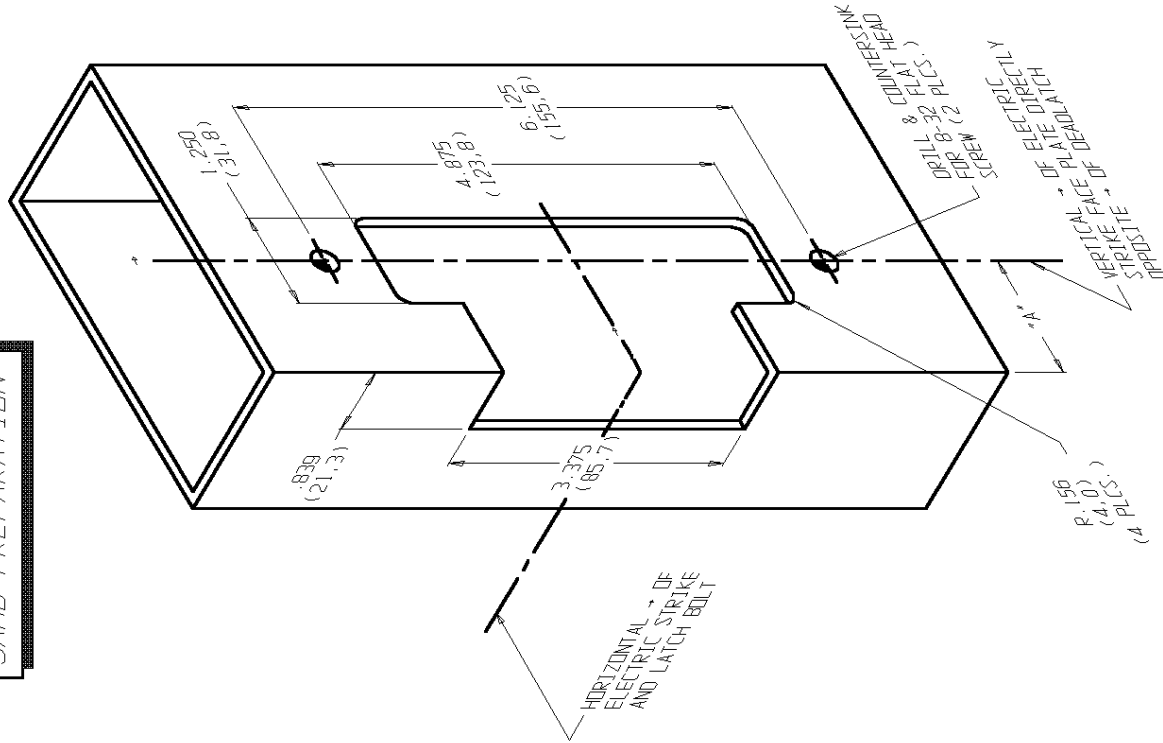
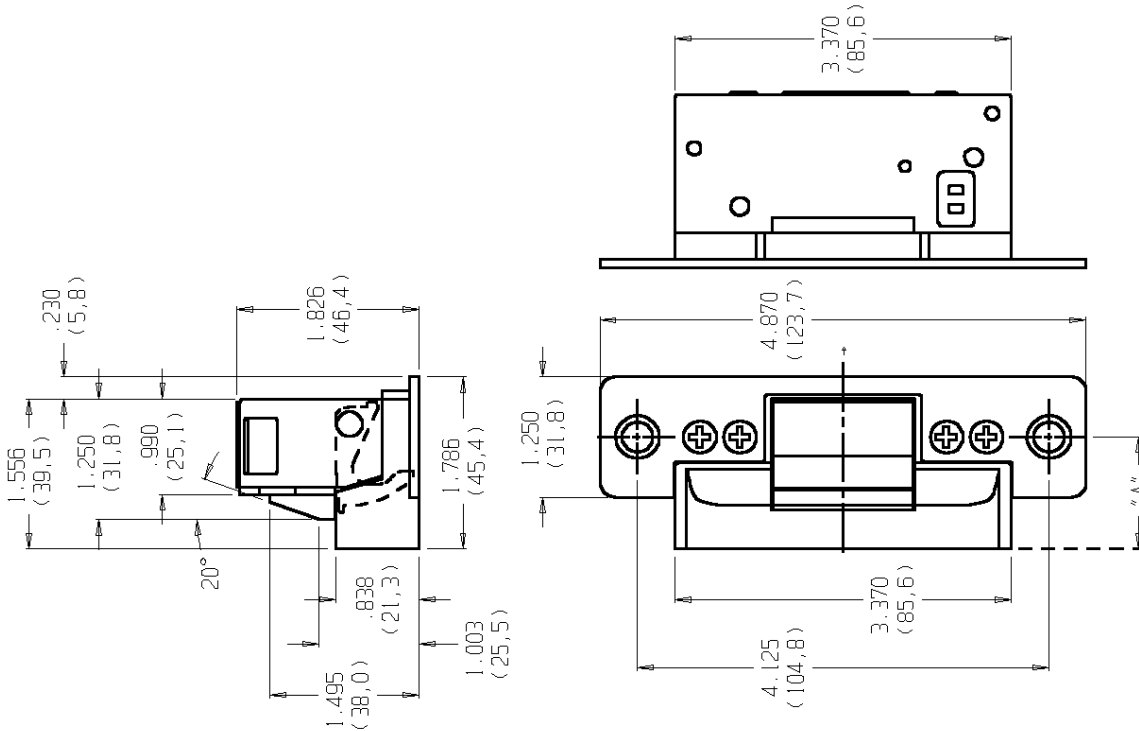


JAMB PREPARATION



ELECTRIC STRIKE DIMENSIONS



FOR EXTENDED LIP: (DIM "A" DOOR → TO JAMB EDGE)

DASH NO.	DIM "A"	DASH NO.	DIM "A"	DASH NO.	DIM "A"
NONE	1.06	-05	2.00	-10	2.63
-01	1.50	-06	2.13	-11	2.75
-02	1.63	-07	2.25	-12	2.88
-03	1.75	-08	2.38	-13	3.00
-04	1.88	-09	2.50		

STANDARD UNIT FITS DIM. "A" UP TO 1.06" (SEE DASH NO.)

ADAMS RITE MANUFACTURING COMPANY
POMONA, CA. 91767

7160 ELECTRIC STRIKE
FOR ALUMINUM JAMB
WITH MORTISE LATCHES

REF. INSTRUCTION SHEET NO.:
80-0180-366

TEMPLATE NO.:
52130-0

DATE:
09-13-95