



7200 Series

Fire-Rated Electric Strikes

7240 Fire-Rated Electric Strikes with 4-7/8" [123.8 mm] faceplates are designed for cylindrical locksets with up to 5/8" [15.9 mm] latchbolt projection.

7270 Fire-Rated Electric Strikes with 4-7/8" [123.8 mm] faceplates are designed for mortise or cylindrical locksets with up to 3/4" [19.1 mm] latchbolt projection without a deadbolt.

Both models are for use in hollow metal door jambs.

Function

Remote electrical control of hollow metal doors equipped with cylindrical locksets with up to 5/8" [15.9 mm] latchbolt projection (**7240**) or mortise or cylindrical lockset with up to 3/4" [19.1 mm] latchbolt projection (**7270**). Electrical actuation unlocks the keeper, releasing the latchbolt so the door may be opened without operating the latch itself. Fire-rated in fail secure mode only.

Certifications

UL 10C fire rated, 3 hour single door (fail secure only)

CAN/ULC-S104 fire door conformant



7240



7270

Features

Case

7240: 1" x 3-3/8" x 1-5/8" deep
[25.4 mm x 85.7 mm
x 41.3 mm deep]

7270: 1" x 3-3/8" x 1-7/8" deep
[25.4 mm x 85.7 mm
x 47.6 mm deep]

Strike Opening

Bolt retaining keeper and strike lip are stainless steel. Strike accepts bolts from a variety of locksets.

7240: 5/8" x 1-7/16" x 9/16" deep
[15.9 mm x 36.5 mm
x 14.3 mm deep]

7270: 3/4" x 1-7/16" x 5/8" deep
[19.1 mm x 36.5 mm x
15.9 mm deep]

Strike Lip

Basic strike has lip of proper length for 1-3/4" [44.5 mm] thick door that closes flush with jamb edge.

Faceplate

Measures 1-1/4" x 4-7/8" [31.8 mm x 123.8 mm]; flat with square corners

Latchbolt Projection

7240: 5/8" [15.9 mm]

7270: 3/4" [19.1 mm]

Standard Package

Individually boxed with mounting screws. Includes mounting clips and adhesive shims for use where welded tabs are omitted.

Shipping Weight

2 lbs [0.91 kg].

Electrical

Voltage

Available in 12 or 24 Volt AC and DC. DC continuous units are silent, AC intermittent units “buzz” on operation.

Current Draw

0.33 A at 12 VDC 1.42 A at 12 VAC
0.17 A at 24 VDC 0.74 A at 24 VAC

Fail Safe | Fail Secure

Assembled for fail-secure (locked when unpowered) operation.

Options

- Available with two Form ‘C’ monitoring switches to indicate when the latchbolt is engaged in the strike and whether the strike jaw is blocked.
- Available with lip extension kit. Specify when ordering if required.

Product Note

All 3/4" throw latches require 1/8" minimum door gap. Horizontal center line of strike must match line of mortise latchbolt.

How to Order

7240, 7270 Electric Strikes: Specify quantity and the following information. Order related products separately.

MODEL	APPLICATION	VOLTAGE	CURRENT AND DUTY	FEATURES*	FINISH	LIP EXTENSIONS (DIM. A) (DOOR CENTERLINE TO JAMB EDGE FOR INTERIOR FRAMES)
72	40	-3	1	0	-630	-50
	40 Cylindrical Latches	3 12 Volt	1 DC Continuous or Intermittent	0 Fail-Secure	630 Satin Stainless	00 1-1/16" or less
	70 Mortise Latches	5 24 Volt	4 AC Intermittent	9 Monitored/ Fail-Secure		50 1-3/8"

*Not available Fail-Safe

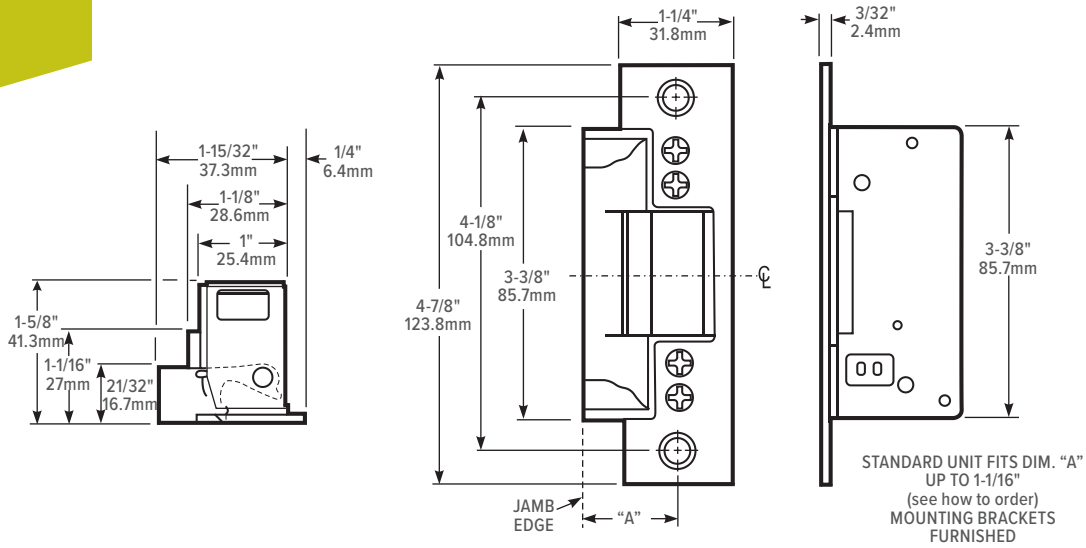
Related Products

When purchasing this product, please consider the following related products, available separately:

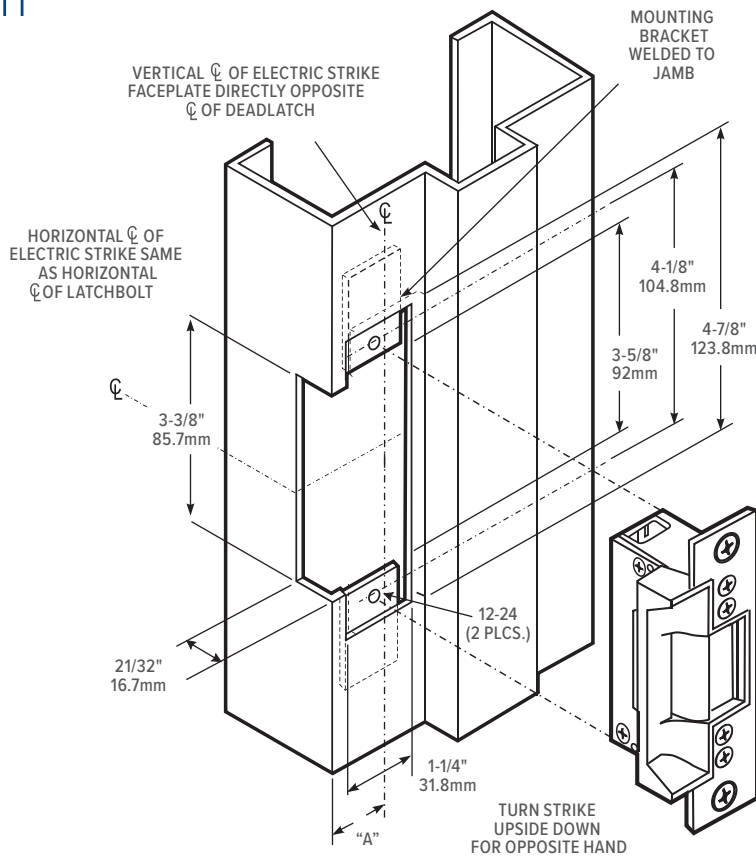
ACCESSORIES	POWER
Lip Extension Kits	PS-1 Power Supply, 4603 Rectifier, 4605/4606 Transformer, Piezo Horn audible indicator, Electrolynx connector

All measurements are approximate and are provided for informational purposes only. Refer to the product Installation Instructions.

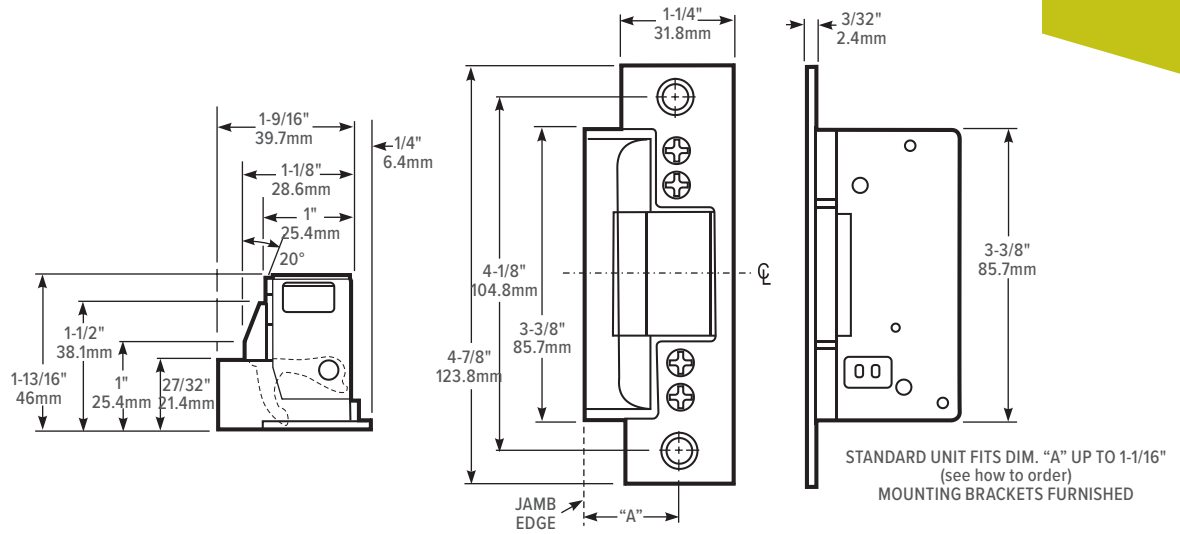
7240 Dimensions



Installation in Steel Jamb



7270 Dimensions



Installation in Steel Jamb

