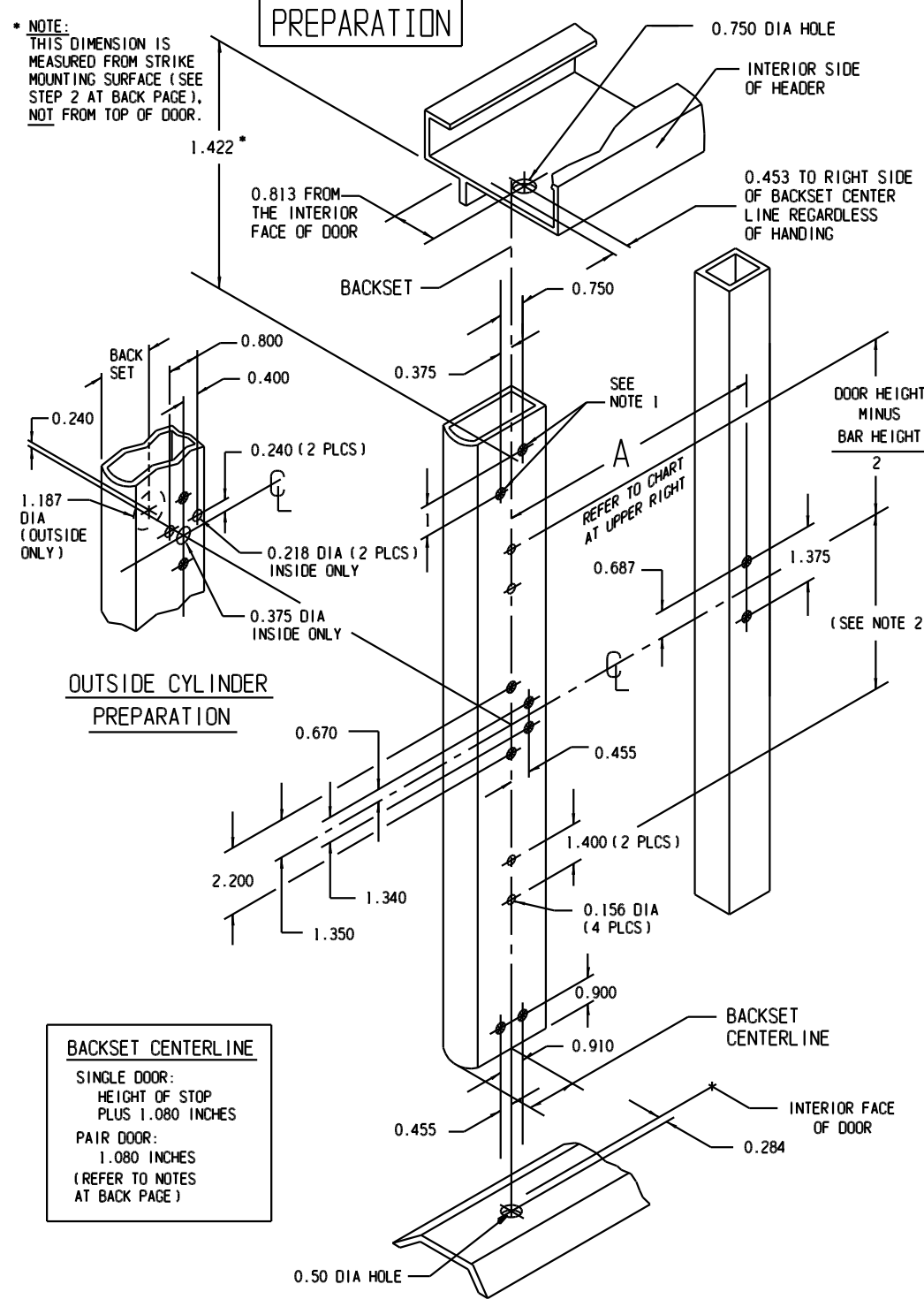


* NOTE: THIS DIMENSION IS MEASURED FROM STRIKE MOUNTING SURFACE (SEE STEP 2 AT BACK PAGE), NOT FROM TOP OF DOOR.

PREPARATION

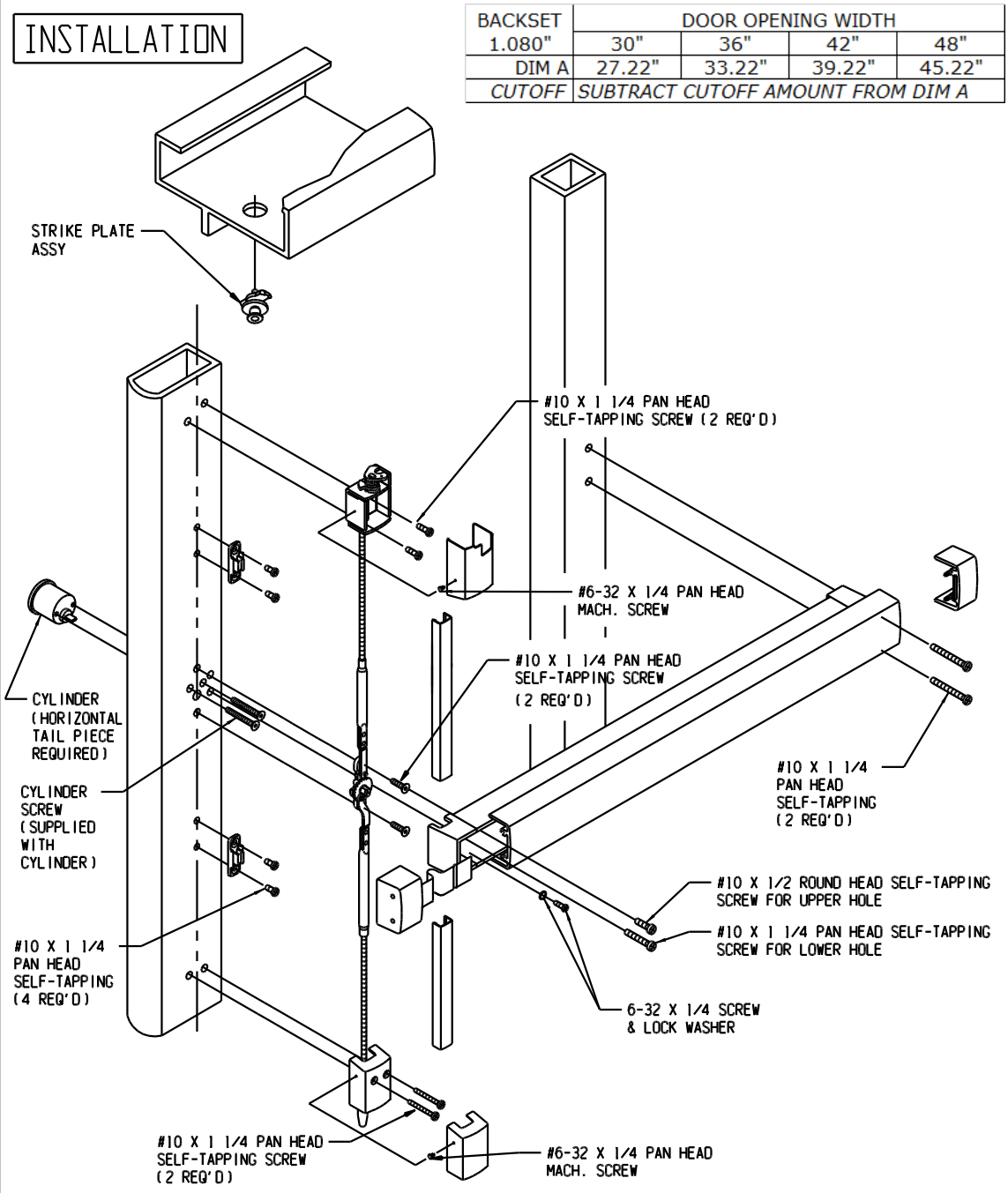


OUTSIDE CYLINDER PREPARATION

BACKSET CENTERLINE
 SINGLE DOOR:
 HEIGHT OF STOP PLUS 1.080 INCHES
 PAIR DOOR:
 1.080 INCHES
 (REFER TO NOTES AT BACK PAGE)

NOTE 1: UNLESS OTHERWISE SPECIFIED, DRILL .156 DIA FOR 10 HOLES (●)
 NOTE 2: WHEN BAR HEIGHT IS 36" OR MORE, DIVIDE BAR HEIGHT BY 2. OTHERWISE, USE 18" AS THE DIMENSION
 NOTE: THESE DIMENSIONS AND TEMPLATES ASSUME A DOOR THICKNESS OF 1.75" WITH 1/8" WALL. FOR DOORS OF OTHER THICKNESS, CONSULT FACTORY.

INSTALLATION

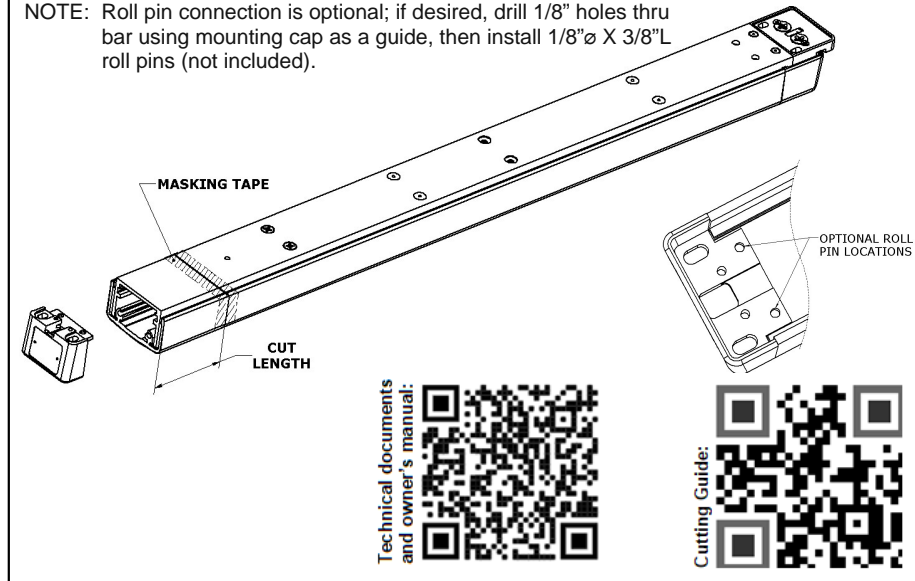


BACKSET	DOOR OPENING WIDTH			
1.080"	30"	36"	42"	48"
DIM A	27.22"	33.22"	39.22"	45.22"
CUTOFF	SUBTRACT CUTOFF AMOUNT FROM DIM A			

METRIC EQUIVALENTS									
INCHES	MM	INCHES	MM	INCHES	MM	INCHES	MM	INCHES	MM
.125	3.17	.500	12.70	1	25.40	1.960	49.78	30	762.00
.218	5.54	.670	17.02	1.080	27.43	2.200	55.88	33.22	843.79
.240	6.10	.687	17.45	1.187	30.15	3.600	91.44	36	914.40
.250	6.35	.750	19.05	1.340	34.04	3.718	94.43	39.22	996.19
.375	9.52	.800	20.32	1.350	34.29	3.750	95.25	42	1066.80
.400	10.16	.900	22.86	1.375	34.93	18	457.20	45.22	1148.59
.455	11.56	.910	23.11	1.400	35.56	27.22	691.39	48	1219.20

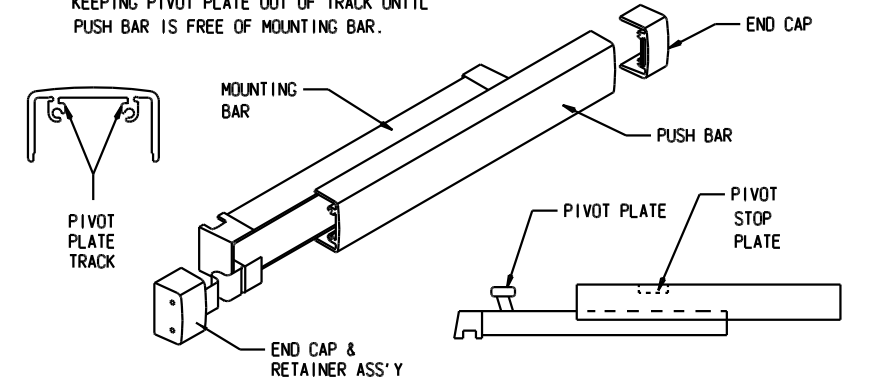
- Bar Cutoff Instruction:
- 1.Remove push bar.
 - 2.Tap mounting cap off hinge end of bar using a mallet or punch.
 - 3.Re-install push bar, collapse, and tape down in area of cut-off.
 - 4.Mark cut length on tape, see cutting guide on website for calculation.
 - 5.Saw off excess, remove tape and deburr.
 - 6.Tap mounting cap into bar using a soft mallet to protect finish.
 - 7.Continue to installation instructions.

NOTE: Roll pin connection is optional; if desired, drill 1/8" holes thru bar using mounting cap as a guide, then install 1/8" X 3/8" L roll pins (not included).



SEPARATING PUSH BAR AND MOUNTING BAR PROCEDURE

1. REMOVE BOTH END CAPS. THE RETAINER IS ATTACHED TO THE NOSE END CAP.
2. SLIDE PUSH BAR TOWARD HINGE SIDE OF DOOR.
3. CONTINUE TO SLIDE PUSH BAR PAST THE PIVOT PLATE THAT RIDES IN PUSH BAR TRACK.
4. SLIDE PUSH BAR IN OPPOSITE DIRECTION KEEPING PIVOT PLATE OUT OF TRACK UNTIL PUSH BAR IS FREE OF MOUNTING BAR.



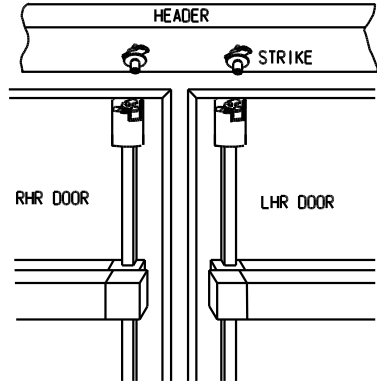
INSTALLING PUSH BAR TO MOUNTING BAR

1. WITH PUSH BAR IN HAND AND MOUNTING BAR ATTACHED TO DOOR, FIND PIVOT PLATE STAKED INTO PUSH BAR. (THIS PLATE IS ON THE LATCH END OF ASSEMBLED UNIT). SLIDE THE PIVOT PLATE NEAREST HINGE INTO TRACK OF PUSH BAR UNTIL SECOND PIVOT PLATE IS EXPOSED. INSERT PIVOT PLATE INTO TRACK ON PUSH BAR AND SLIDE IN OPPOSITE DIRECTION UNTIL PUSH BAR AND MOUNTING BAR ALIGN.

PRODUCT MUST BE INSTALLED ACCORDING TO ALL APPLICABLE BUILDING AND LIFE SAFETY CODES

INSTALLATION INSTRUCTION CHECKLIST

ADAMS RITE SERIES **8200** EXIT DEVICE



IMPORTANT!

This device is unhandled. It can be installed in either left hand reverse or right hand reverse doors without alteration. The doors' lead stile and header preparation are IDENTICAL *not* mirror image. Note in the sketch above that the yoke type bolt *always* faces right (as viewed from inside) and the strike post is toward the right of the backset centerline for *both* doors.

NOTE STEPS 1 THRU 10 ARE MORE EASILY ACCOMPLISHED IF DOOR IS NOT INSTALLED IN FRAME.

HOW TO FIND BACKSET

