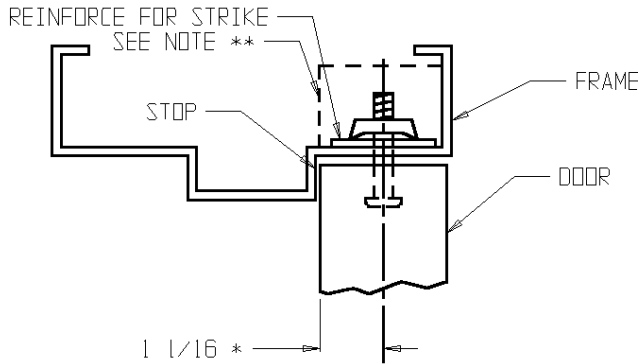
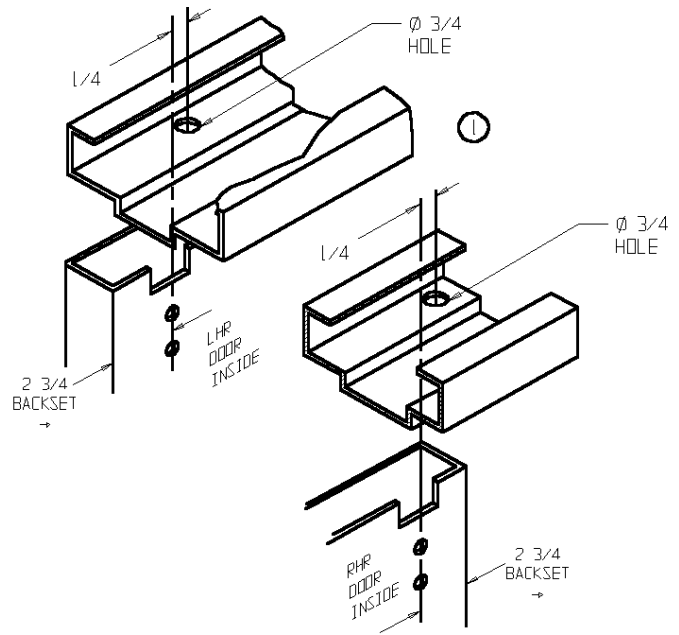


CVR TOP STRIKE PREPARATION

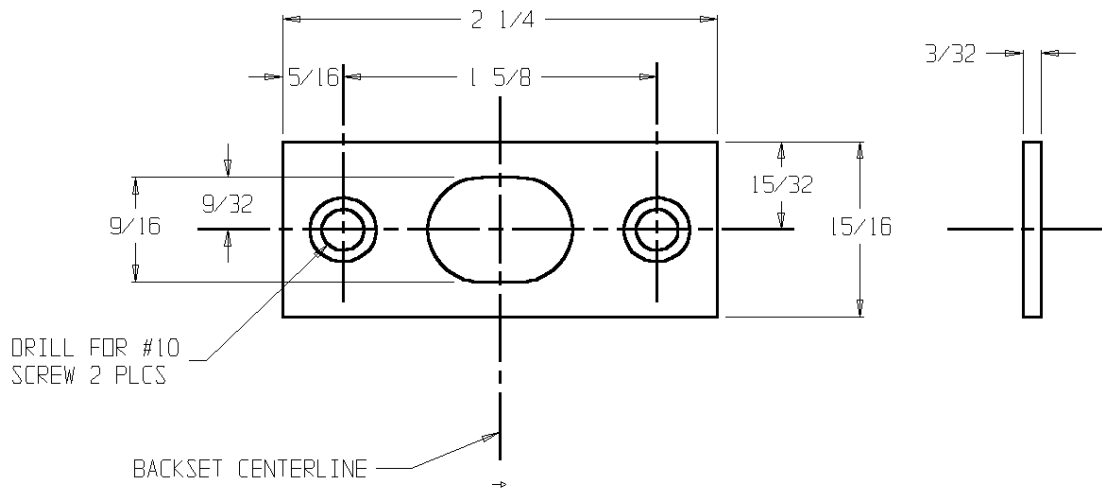
NOTE ** - GROUT FILLED FRAMES
 REQUIRE BLOCKING/MORTAR GUARD
 1 1/2" X 1 1/2" X 1 1/2" MINIMUM
 CENTERED ON 3/4" HOLE
 FOR TOP STRIKE ADJUSTMENT.



* MEASURED FROM THE INTERIOR DOOR SURFACE. BE SURE TO ADJUST FOR DOOR SILENCERS IF USED.



CVR BOTTOM STRIKE PREPARATION



(MORTISE IN FLOOR-NO PROJECTION)

ADAMS RITE MANUFACTURING COMPANY
 POMONA, CA 91749

8500 CVR
 TOP & BOTTOM
 STRIKE PREPARATION

ECN NO.
 9981

NOTE: SEE MASTER SHEET 10001 FOR
 SUGGESTED REINFORCEMENT

TEMPLATE NO.:
 30100-2

DATE:
 09-13-95