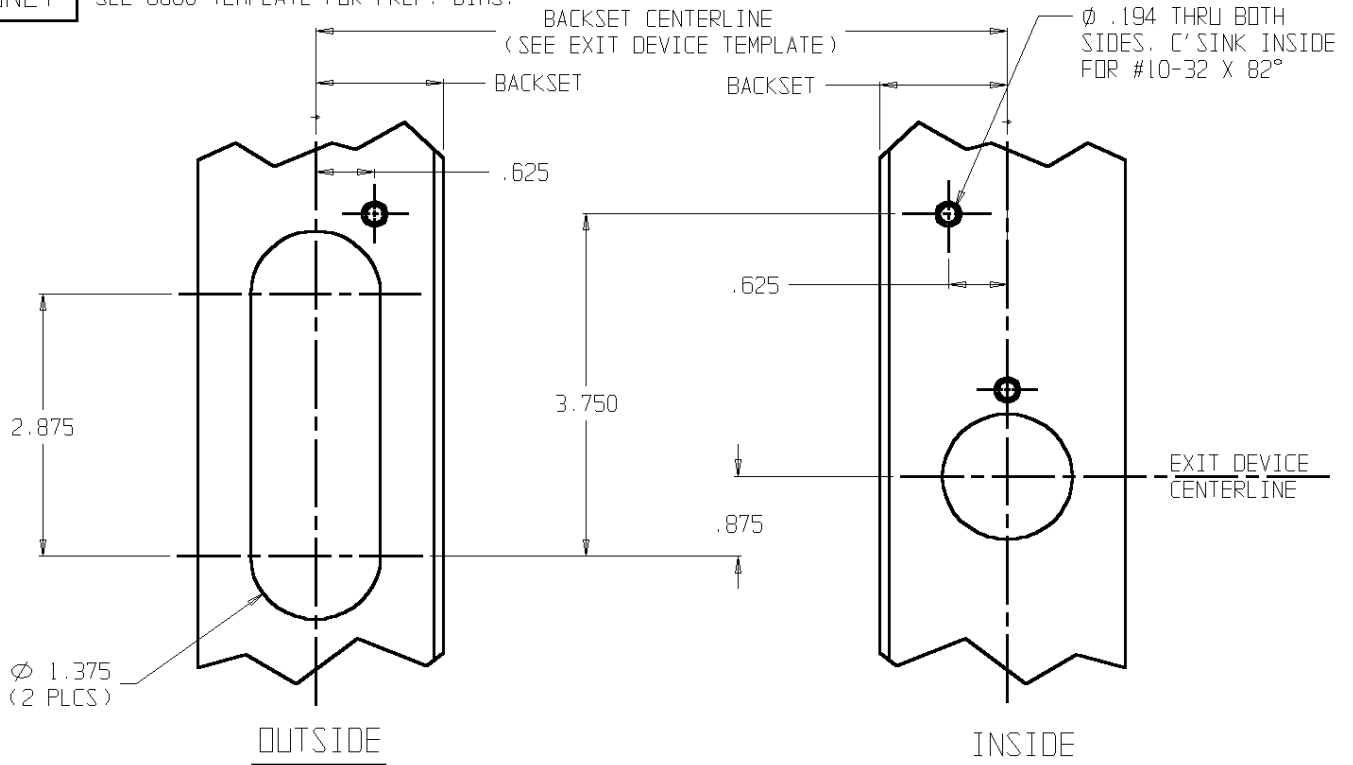


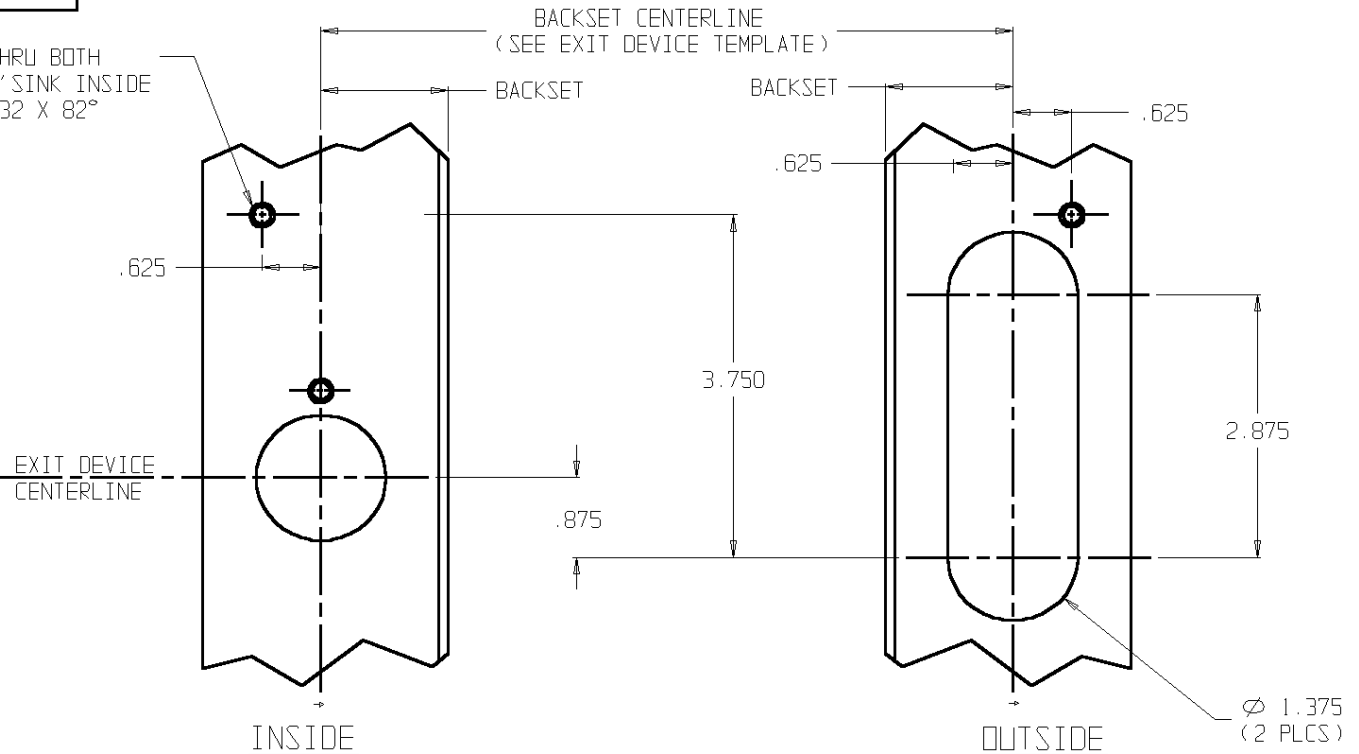
LHR ONLY

SEE 8600 TEMPLATE FOR PREP. DIMS.



RHR ONLY

SEE 8600 TEMPLATE FOR PREP. DIMS.



ADAMS RITE MANUFACTURING COMPANY
CITY OF INDUSTRY, CA 91749

8066 ENTRY FUNCTION
FOR 8600/8675 CVR ALUMINUM
ALUMINUM STILE PREPARATION

PART NO.:

80-0180-30T

DATE:

07-10-97

ECN:

9629

TEMPLATE NO.:

20116-1

NOTE: SEE MASTER SHEET 10001
FOR SUGGESTED REINFORCEMENT