

Adams Rite

Product Catalog 2023



DL100

Wireless Deadlatch

The most advanced electrified deadlatch, with Aperio® wireless technology, for aluminum stile openings.



MS® Prep

Function

The DL100 Wireless Deadlatch seamlessly combines electrified locking hardware with access control system while working within standard aluminum stile entrance door preparations. Always operable from the inside via handle or paddle device. Entry via the integrated card reader or mortise cylinder. The standard fail secure DL100 Wireless Deadlatch with integrated locked state, latchbolt, and tamper monitoring is powered by 2 AA lithium batteries. Units are equipped with a quick connect plug-in type connector. Interchangeable without stile modification for MS® Deadlocks or Adams Rite Deadlatches. 1-3/4" [44.5 mm] minimum door thickness required. Real time communication with DPS, tamper, REX and battery health monitoring and control with support for HID multiCLASS SE and NFC/BLE mobile access card technologies.

Operation

Entry is achieved via key override, mobile or card credentials while free egress is achieved by operating the inside lever or paddle to release the spring-loaded latchbolt. Available in a fail-secure configuration only. Lock accepts any standard 1" mortise cylinder with MS® cam, available separately.

Certifications

- UL 294 Listed – Indoor Rated
- UL 294 Salt Spray Test Compliant
- Tested to IP65 (Reader Only)
- FCC Part 15 & Industry Canada Compliant
- CE RED – Radio Equipment Directive – 2014/53/EU

Features

All Models

- 2.4 GHz Aperio wireless technology
- Integrates with most existing access control systems and credentials
- Audit trail limited by access control system
- Battery operated; (2) AA Lithium

Deadlatch Features

- Non-handed
- Fail secure operation (standard)
- Integrated locked state, latchbolt, and tamper monitoring
- Universal compatibility with any existing MS® door prep
- Fully finished faceplate and strike plate

- Tamper resistant
- Low energy EcoLatch® motorized actuator technology

Lock Backset

31/32" [24.6 mm], 1-1/8" [28.6 mm], and 1-1/2" [38.1 mm]

Case

Steel with corrosion-resistant plating. Measures 15/16" x 5-13/16" x depth [23.8 mm x 147.6 mm x depth]. Depth varies by backset.

Latchbolt

Stainless steel. Measures 5/8" x 1" x 5/8" [15.9 mm x 25.4 mm x 15.9 mm] throw.

Auxiliary Bolt

All metal. Deadlocks latchbolt to prevent "loiding" or case-knife entry.

Cylinder

Standard 1" mortise cylinder accepted

Faceplate

Measures 1" x 6-7/8" [25.4 mm x 174.6 mm]. Both flat and radius faceplates are supplied. Flat faceplates can also be adjusted in the field for right or left beveled edge doors.

Strike Plate

Pick from optional strikes: **4304**

Surface mounted strike for easy retrofits. **4901-01 Mortised-flush** when covering existing MS®deadlock preparation or for new applications.

4901-02 Mortised-radius for pairs of doors and with extended lips of center-hung or thick door applications.

Deadlatch Reader Features

- Supports HID multiCLASS SE® card technologies
- Supports NFC & BLE mobile access credentials
- Bi-color LED visual status indicators; Red/Amber or Green/Amber

Standard Package

Individually boxed with strike plate, flat and radius faceplates, and mounting screws. Supplied with 4581 Universal Cam Plug to work with specified handles or paddle operators. Cylinder, paddle, handle available separately, (unless purchasing a Solution Set, see Options).

Options

- Bundled with 4591 REX Paddle. See How to Order for ordering information.*

* Only available through ACP/CI channel

Specifications

Wireless Access Control

Minimal field configuration for quick, easy wireless deployments that eliminate the cost and inconvenience of hardwiring the door.

Fully-encrypted AES 128-bit wireless communication between the DL100 lock and Aperio® hub ensures data security.

The Aperio wireless hub connects to an access control system with typical access control cabling or via an ethernet connection.

Compatible Aperio Hub Models

AH20, AH30, AH40



4591 Deadlatch Paddle

Electrical

- (2) "AA" lithium batteries (included); Use of other types of batteries, such as alkaline, will significantly decrease battery life.
- microUSB port for emergency power

Environmental

- Operating Temperature (lock & reader): 14° to 140° F [-10° to 60° C]
- Operating Humidity (lock & reader): 0 to 93% relative humidity non-condensing
- Tested to IP65 (Reader only)

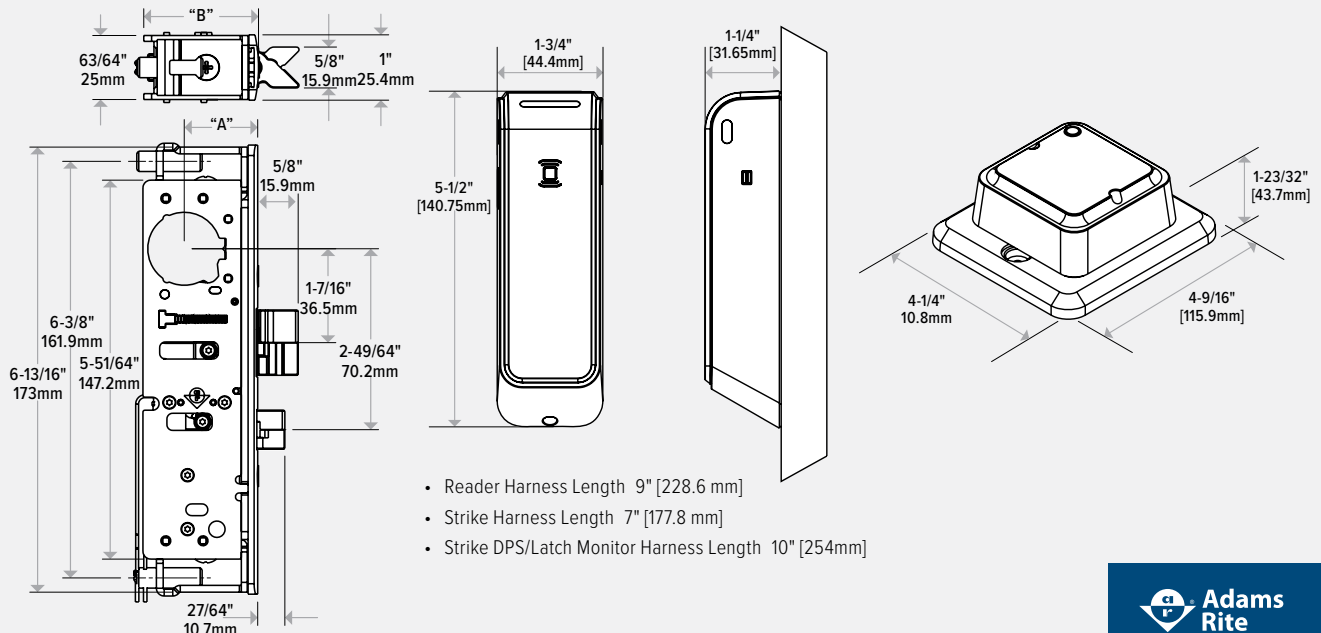
Credential Support

- High Frequency (13.56 MHz): HID iCLASS®, HID iCLASS SE® (SIO®-enabled), HID iCLASS® Seos®, HID MIFARE® SE, HID DESFire® EV1 SE, MIFARE CLASSIC, DESFire® EV1, DESFire® EV2 (legacy mode)
- Low Frequency (125 kHz): HID Prox®, AWID, EM4102, IOProx
- Mobile Access Credentials: NFC, HID BLE Mobile Access, SEOS iOS Apple Wallet

NOTE: The DL100 is available as either a pre-paired reader and hub kit (no certification required) or as a field configurable component (requires Aperio® Certified Integrator certification). Pre-paired kits support limited features, field configured devices are required in order to support all options. Visit IntelligentOpenings.com to learn more.

Dimensions

All measurements are approximate and are provided for informational purposes only. Refer to the product Installation Instructions.



**ARMORED FACEPLATE
1" X 6-7/8"**



FLAT (INCLUDED)
P/N 91-4300-01-XXX*



RADIUS (INCLUDED)
P/N 91-4300-01-XXX*

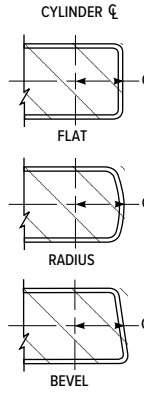


RADIUS W/ WEATHERSTRIP
P/N 91-4300-02-XXX*

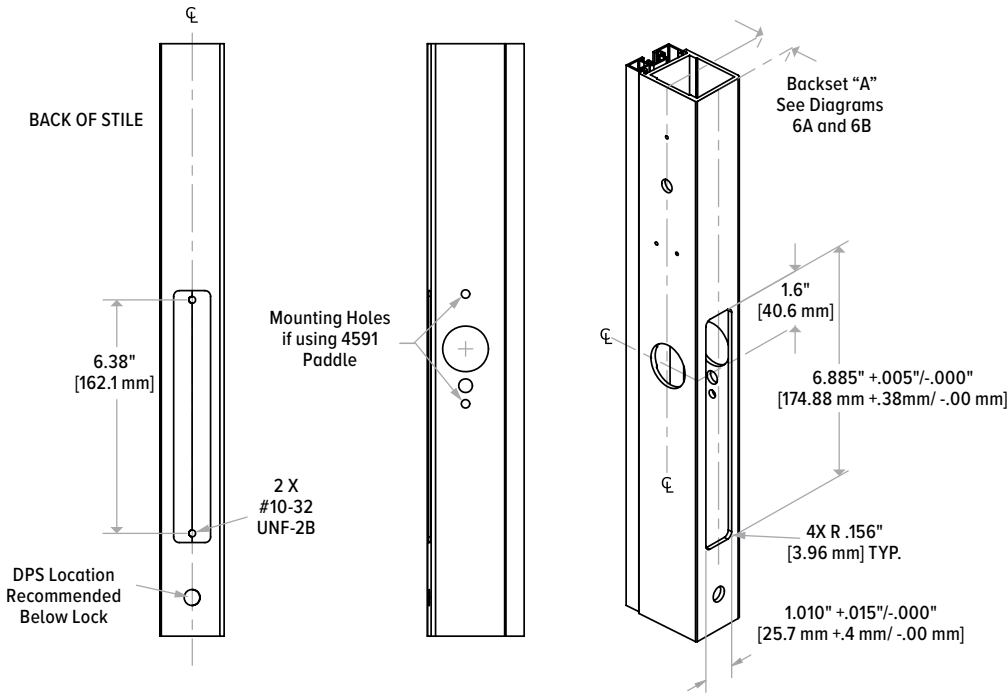
*Flat faceplate can be adjusted for right or left beveled edge doors. Radius weatherstrip is optional. 91-4300-01-XXX Faceplate kit includes both flat and radius faceplates.

BACKSET A	DIM. B
31/32" 24.6mm	1-19/32" [40.5mm]
1-1/8" 28.6mm	1-49/64" [44.8mm]
1-1/2" 38.1mm	2-9/64" [54.4mm]

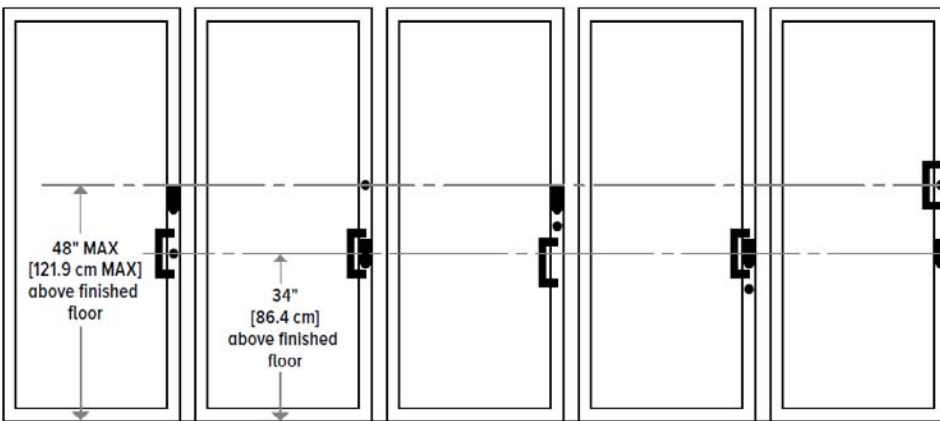
HOW BACKSET IS MEASURED:



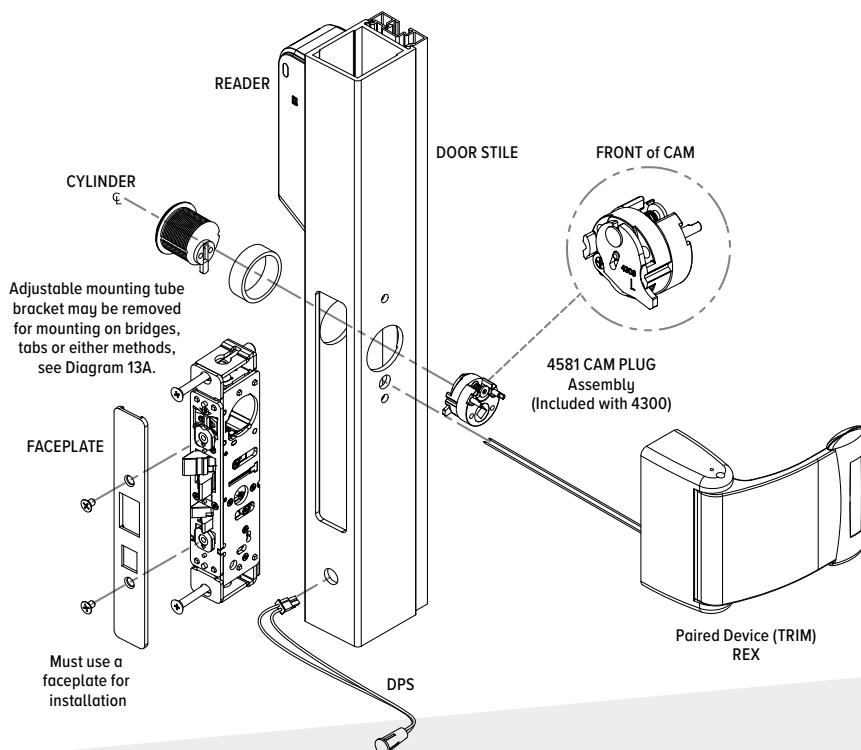
Stile Preparation



ADA Cylinder Height



Latch Paddle & Cylinder Installation



How to Order & Related Products

DL100 Wireless Deadlatch: Specify quantity and the following information. Order related products separately.

SERIES	BACKSET	STRIKE	STRIKE SHAPE/ LIP LENGTH	OPTIONS	CARD TECHNOLOGY	FINISH		
DL100	-3	2	01	H	-IPS	-628		
Monitoring & DPS are Standard Features	2 31/32"	1 Surface Mount (4304)	01 Flat/Standard Jamb	(blank)* Field configured to work with AH20, AH30, or AH40 wireless hubs	IPS HID iCLASS®, HID iCLASS SE® (SIO-enabled), HID iCLASS® Seos™, HID MIFARE® SE, HID DESFire® EV1 SE, MIFARE Classic, MIFARE DESFire EV1, NFC-enabled Mobile Phones: HID Mobile Access (NFC), Seos Apple Wallet (NFC)	313 Dark Bronze Anodized		
	3 1-1/8"		02 Radius Standard Stiles			335 Black Anodized		
	4 1-1/2"	2 Mortised (4901)	17 Flat/Center Hung 4" Jamb			H Factory pre-paired to work with AH20 Wiegand 1:1 hub	IPEXXXXX† Same as IPS but with factory loaded HID Elite Credential	628 Clear Anodized
			21 Flat/Center Hung 4-1/2" Jamb				BIPSEXXXXX**† HID iCLASS, HID iCLASS SE (SIO-enabled), HID iCLASS Seos, HID MIFARE SE, HID DESFire EV1 SE, MIFARE Classic, MIFARE DESFire EV1, NFC & BLE-enabled Mobile Phones: HID Mobile Access (BLE and NFC), Seos Apple Wallet (NFC)	
				A (push left) * ^	BIPEXXXXX**† Same as BIPS but with factory loaded HID Elite Credential			
				B (push right) * ^				
				C (pull left) * ^				
				D (pull right) * ^				

* Only available through ACP/CI channel. ^ REX switch only available on PUSH configurations ** XXXXXX is a unique or customer specific key that is only re-orderable for that specific company.

† HID Authorization form will need to be filled out and signed by the end user who has authority of the ELITE KEY.

RELATED PRODUCTS When purchasing this product, please consider the following related products, available separately:

TRIM	CYLINDERS	ACCESSORIES
4560, 4565 Deadlatch Handles, 4568, 4569 Eurostyle Deadlatch Handles, 4590, 4591 Paddles, 4600 Deadlatch Handles	Standard 1" length, 1-5/32" diameter mortise cylinder with MS® cam such as 4036 Mortise Cylinder, 4066 Thumbturn MS 4043 Cylinder guard	4104 Mounting Bridge, 91-0965 Mounting Kit for radiused door, 91-0966 Mounting Kit for beveled door, 26-00090XX Tube Spacer, 4901, 4902 Deadlatch Strikes, DL100-DRK Door Repair/Retrofit Plate, APD10USB Aperio Radio Dongle*, ACC10 Credential Test Cards * Only available through ACP/CI channel