

Hollow
Metal

Wood

Swinging
DoorSliding
DoorMS1850SN
-450 only

MS® Prep

MS1850SN, MS1850SN-45X

Series MS® Deadlocks

The ANSI size **MS1850SN Series MS® Deadlock** utilizes a laminated stainless steel bolt and the ANSI size **MS1850SN-45X Series MS Deadlock** utilizes a stainless steel hookbolt, both activated by a pivot mechanism to provide maximum security for hollow metal or wood doors.

Function

For hollow metal or wood doors prepared for hardware according to the specifications of the American National Standards Institute (ANSI), the **MS1850SN Series MS® Deadlock** provides maximum security and ease of installation. Its standard 1-1/2" [38.1 mm] backset dimension provides adequate clearance for the deep stop on the door jamb of hollow metal entrances.

The ANSI size **MS1850SN-45X Series MS® Deadlock** provides maximum security and ease of installation for hollow metal or wood sliding doors. Its standard 1-1/2" [38.1 mm] backset dimension provides adequate clearance for the deep jamb "pocket" of many commercial and industrial entrances. The locking mechanism is identical to the widely used MS1850S Series MS Deadlock, except that the massive laminated bolt is provided in a hook shape to resist the parting motion of sliding door and jamb. The over-center maximum security (MS) locking action assures that forced entry attempts to pry the door in any direction, up, down, or sideways will be defeated. Also useful for swinging doors closing against jambs too shallow for the 1-3/8" [34.9 mm] throw of the MS1850SN Series MS® Deadlock.

Operation

360° turn of key or thumbturn projects or retracts the counterbalanced bolt. Key can be removed only when bolt is in a positively locked or unlocked position. Lock accepts any standard 1" [25.4 mm] length, 1-5/32" [29.4 mm] diameter mortise cylinder with MS® cam such as the 4036 Mortise Cylinder, available separately or thumbturn such as the 4066 Thumbturn, available separately. Lock accepts cylinder from either or both sides.



MS1850SN



MS1850SN-45X

Features

Backset

1-1/2" [38.1 mm] available only

Case

Measures 1" x 6" x 2-1/4"
[25.4 mm x 152.4 mm x 57.2 mm]. Steel
with corrosion-resistant plating.

Bolt

Eight-ply laminated stainless steel. Center ply
has alumina-ceramic core to defeat any hacksaw
attack, including rod-type "super" hacksaws.

MS1850SN: Standard straight bolt measures
5/8" x 1-3/8" x 2-7/8" [15.9 mm x 34.9 mm x
73.0 mm] with 1-3/8" [34.9 mm] throw.

MS1850SN-45X: Hookbolt measures 5/8" x 1-3/8"
[15.9 mm x 34.9 mm] with 13/16" [20.6 mm] throw.
Hook shape repels pry bar attempts to "spread"
the door from its jamb or lift it off its track.

Faceplate

Measures 1-1/4" x 8" [31.8 mm x 203.2 mm].

Strike

See below for dimensions of strike slot which
can be cut in metal jamb. Lipped, ANSI-spec,
and other strike plates available separately.

Standard Package

Individually boxed with faceplate and
mounting screws. Strike plates, cylinders and/
or thumbturns available separately.

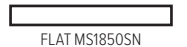
Shipping Weight

1-1/2 lbs [0.68 kg].

Options

- "SCHOOLHOUSE" version, also available, is
modified so that operation from inside is "unlock
only". This lock is handed and must be specified
LH or RH. Specify SCH1850SN or SCH1850SN-450
Series. Same faceplate and backset options
as MS1850SN or MS1850SN-450 Series.

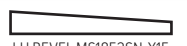
ARMORED FACEPLATE 1-1/4" X 8"



FLAT MS1850SN



RADIUS MS1851SN



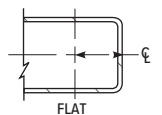
LH BEVEL MS1852SN-X15



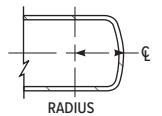
RH BEVEL MS1852SN-X16

HOW BACKSET IS MEASURED:

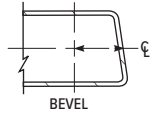
CYLINDER \varnothing



FLAT



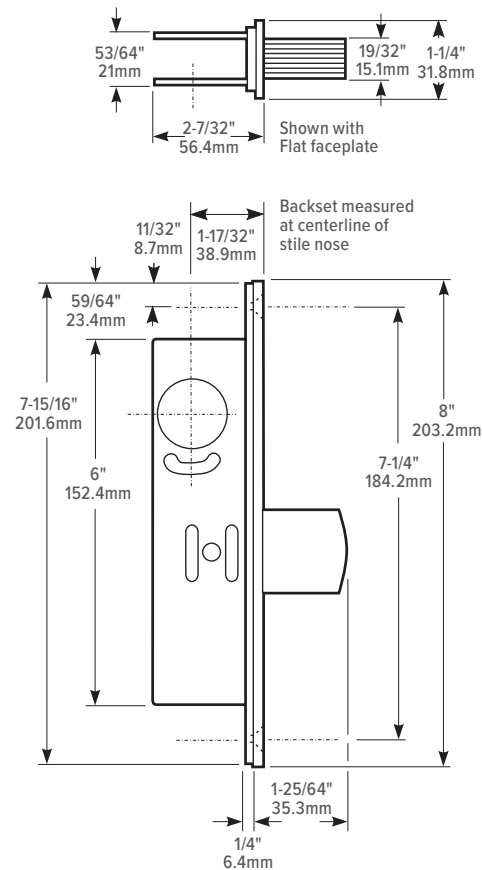
RADIUS



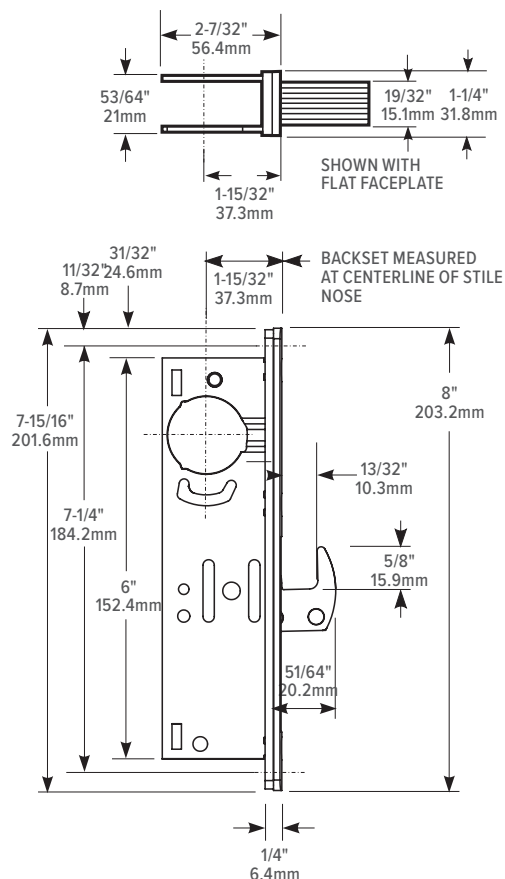
BEVEL

All measurements are approximate and are provided for informational purposes only.
Refer to the product Installation Instructions.

MS1850SN Dimensions

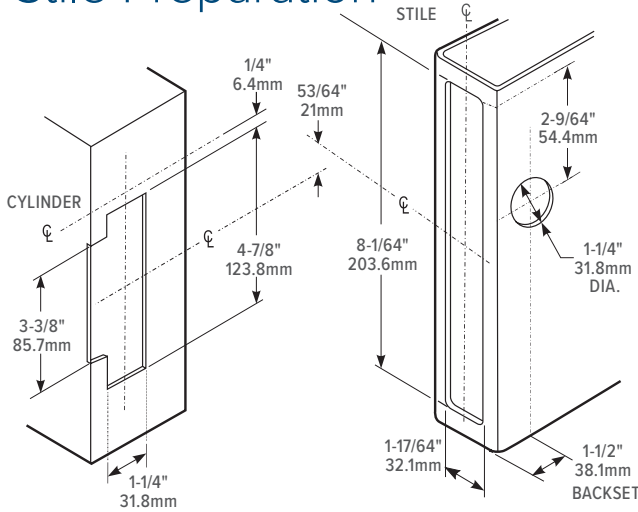


MS1850S-45X Dimensions

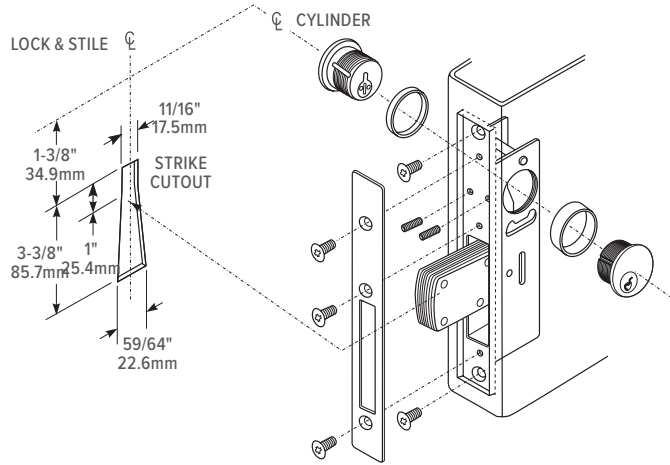


All measurements are approximate and are provided for informational purposes only. Refer to the product Installation Instructions.

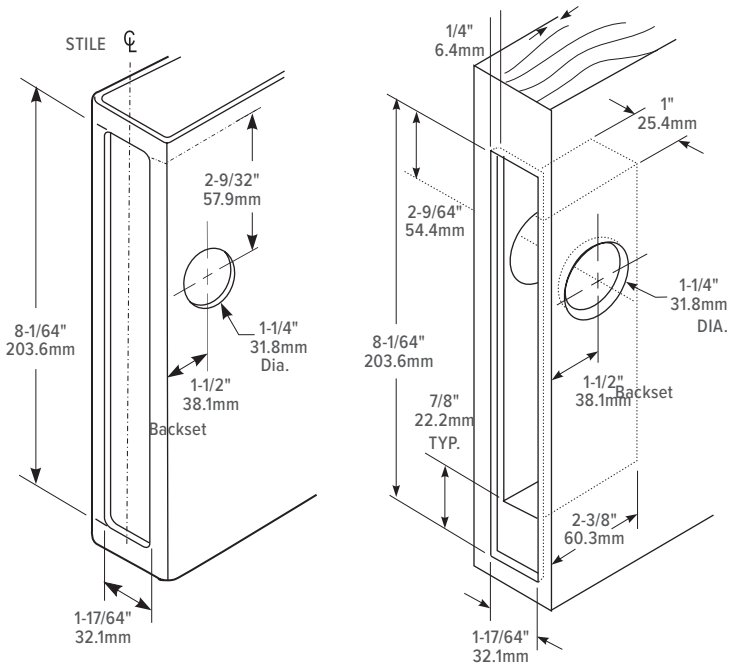
MS1850SN Stile Preparation



Lock & Cylinder Installation

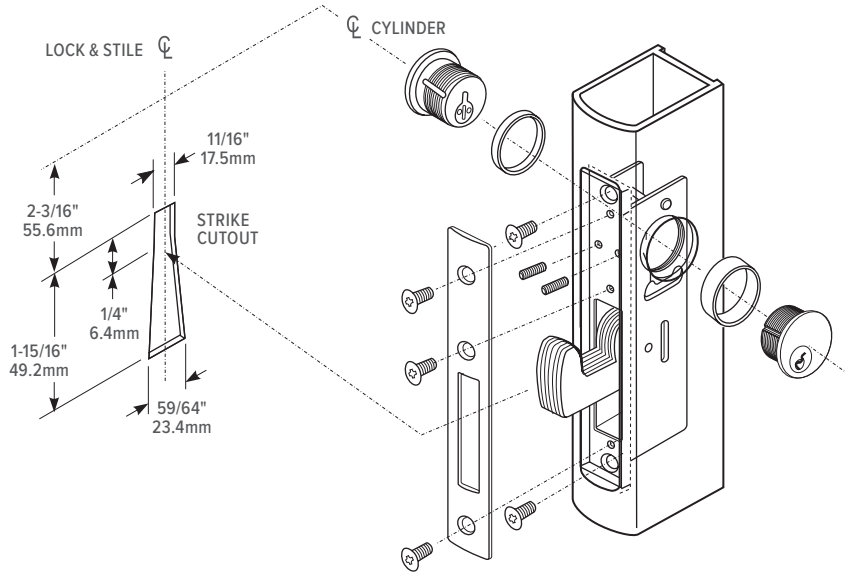


MS1850S-45X Stile & Wood Preparation



MS1850S-45X

Lock & Cylinder Installation



How to Order & Related Products

MS1850SN, MS1850SN-45X Deadlock: Specify quantity and the following information. Order related products separately.

MODEL	FACEPLATE	ANSI SIZE	BOLT SHAPE	HANDING	FINISH
MS185	0	SN	-41	0	628
	0 Flat		41 Straight bolt	0 Non-Handed*	313 Dark Bronze Anodized
	1 Radius		45 Hookbolt	5 LH or RHR	335 Black Anodized
				6 RH or LHR	628 Clear Anodized

*Any flat or radius faceplate, except Schoolhouse. Select handing for bevel faceplate only.

RELATED PRODUCTS – MS1850SN & MS1850SN-45X

When purchasing this product, please consider the following related products, available separately:

TRIM	CYLINDERS	ACCESSORIES	SPECIAL ORDER OPTIONS
3090-150, 4550 Deadlock Lever	Standard 1" length, 1-5/32" diameter mortise cylinder with MS® cam such as 4036 Mortise Cylinder, 4066 Thumbturn; MS4043 Cylinder Guard	4000, 4001, MS4002 Deadlock Strikes 4015 Threshold Bolt, 4016 Header Bolt for multi-point locking. 4085 Header Bolt for pairs of doors Lock mounting accessories and options 4089 Exit Indicator	Schoolhouse function available as special order.