



Aluminium

Swinging  
Door

# MS2180

## Auto-Release Two-Point Flushbolt

The MS2180 Auto-Release Two-Point Flushbolts work in conjunction with any MS® pivoting deadlock to provide maximum security for paired narrow stile aluminum doors.

### Function

Used instead of flip-lever flushbolts in the inactive leaf of paired doors. One turn pins the inactive leaf in position. The pivoting MS® deadlock in the active leaf secures the entire opening. The action of securing the MS® deadlock trips an internal mechanism in the MS2180 so that when the MS® deadlock is retracted, the entire opening releases with only one operation. This auto-release two-point flushbolt must be installed with a pivoted bolt MS® deadlock. **Not to be used as a standalone locking mechanism.**

### Operation

Turn knob or lever 120° counterclockwise to throw stainless steel bolts into header and threshold and clear strike opening so pivoted MS® bolt can enter from active door. Clockwise turn retracts vertical bolts and blocks entry of pivoted bolt. Operates in conjunction with any MS® pivoting deadlock.



### Features

#### Header | Threshold Bolt

Hexagonal 3/8" [9.5 mm] flat to flat. Stainless steel. Guides furnished. Bolt throw is 23/32" [18.3 mm]. Strike required in metal headers and thresholds is 1/2" [12.7 mm] diameter hole. For wood installation, two 4005 Strikes are required, available separately.

#### Smart Lock

Mechanism includes device to prevent entry of pivoted bolt until vertical bolts are locked and conversely, to prevent unlocking of vertical bolts when pivoted bolt is locked.

#### Monitoring

Monitoring Kit available as add-on switch kit that signals when the top and bottom bolts are fully projected and the MS® deadlock is in the extended and locked position. More than an easily defeated door position switch, the MK-2180 Monitoring Kit

uses a form "C" switch to provide a tamper-proof indication of the door position and locked condition.

#### Turn Lever | Indicator

**MS2180** has an hourglass-shaped turn for a firm finger grip. Red lettered indicator shows "LOCKED" when secure.

**MS2181** has a teardrop-shaped turn with red letters on clear decal indicating unlock direction only.

**MS2182** is a limited-access flush turn to comply with IBC requirements for "no doorknob" actuation. MS2182 is supplied with an activation tool. Red lettered indicator shows "LOCKED" when secure.

#### Turn Height

Matches cylinder height of MS® deadlock in active door, adjustable from 34" [863.6 mm] to 48" [1,219.2 mm].

#### Standard Package

Individually boxed with bolt guides and screws.

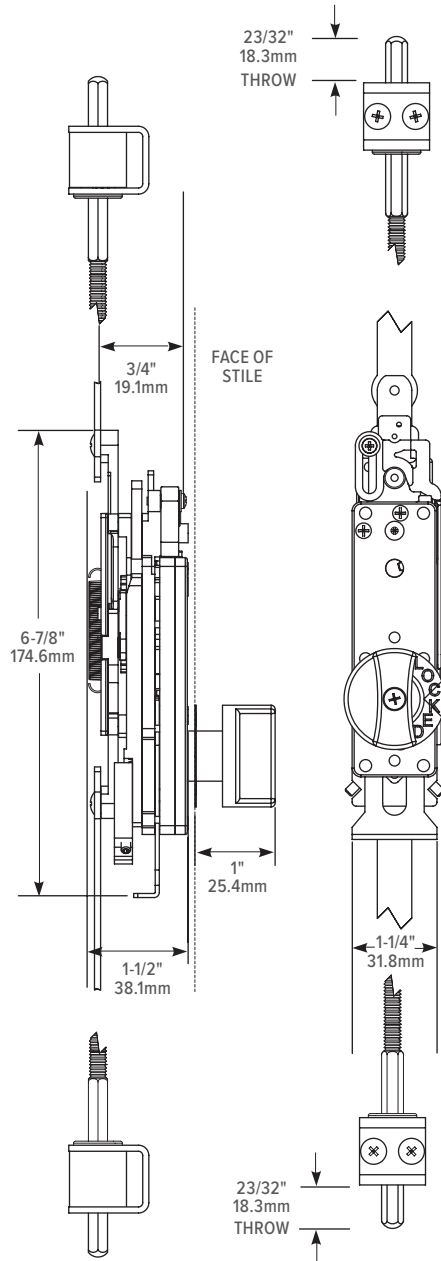
#### Shipping weight

2 lbs [.91 kg].

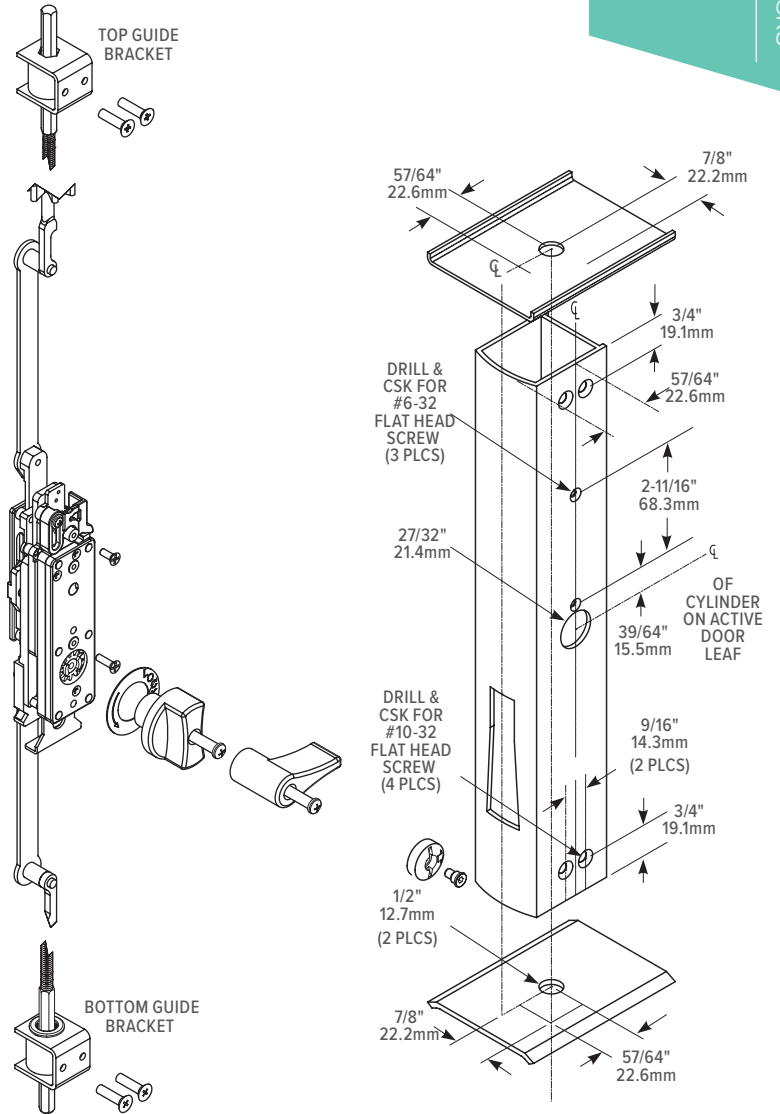
### Options

- For wood header or threshold, 4005 Strike available separately.
- Available in choice of powder coat 119 Black to match 335 Black anodized, 121 Dark bronze to match 313 Dark bronze anodized, and 130 Clear to match 628 Clear anodized.

## Dimensions



## Stile Preparation



## How to Order & Related Products

**MS2180 Auto-Release Two-Point Flushbolt** Specify quantity and the following information. Order related products separately.

MODEL	TURN SHAPE	DOOR HEIGHT (FROM FLOOR TO TOP OF DOOR)	FINISH TO MATCH
MS218	0	- 07	- 130
	0 Hourglass	07 Up to 7' Door	119 Black Anodized
	1 Teardrop	08 Up to 8' Door	121 Dark Bronze Anodized
	2 Flush Operator	09 Up to 9' Door	130 Clear Anodized
		10 Up to 10' Door	

**RELATED PRODUCTS** When purchasing this product, please consider the following related products, available separately:

DEADLOCKS
MS1850S, MS1950 Series Deadlocks

