

LB-XDVF

Stainless Steel Security Lock Box
For Video Door Station Models: AX-DV, AX-DVF

-INSTRUCTIONS-

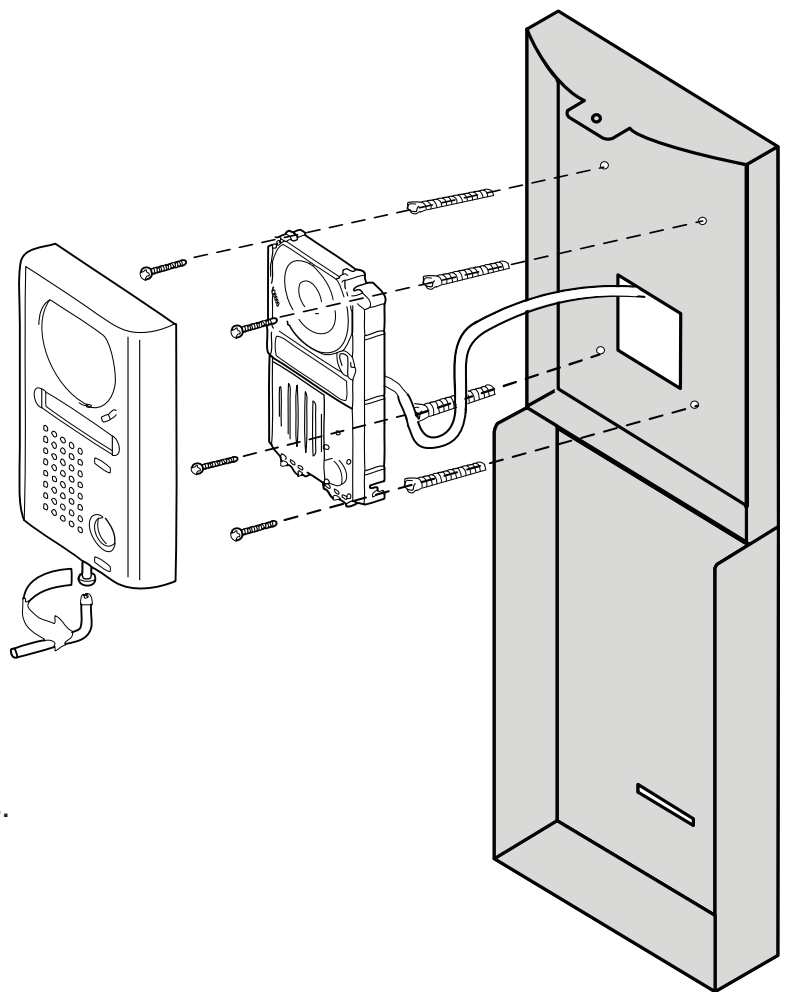
The LB-XDVF is an 16-Gauge stainless steel lockable enclosure designed to give the video door station added protection during non-business hours. This enclosure is designed to be mounted with the following model Aiphone units: AX-DV or AX-DVF.

CONTENTS:

- LB-XDVF
- Mounting plate for AX-DV door station
- "L" bracket (for securing in open position)

AX-DV MOUNTING INSTRUCTIONS:

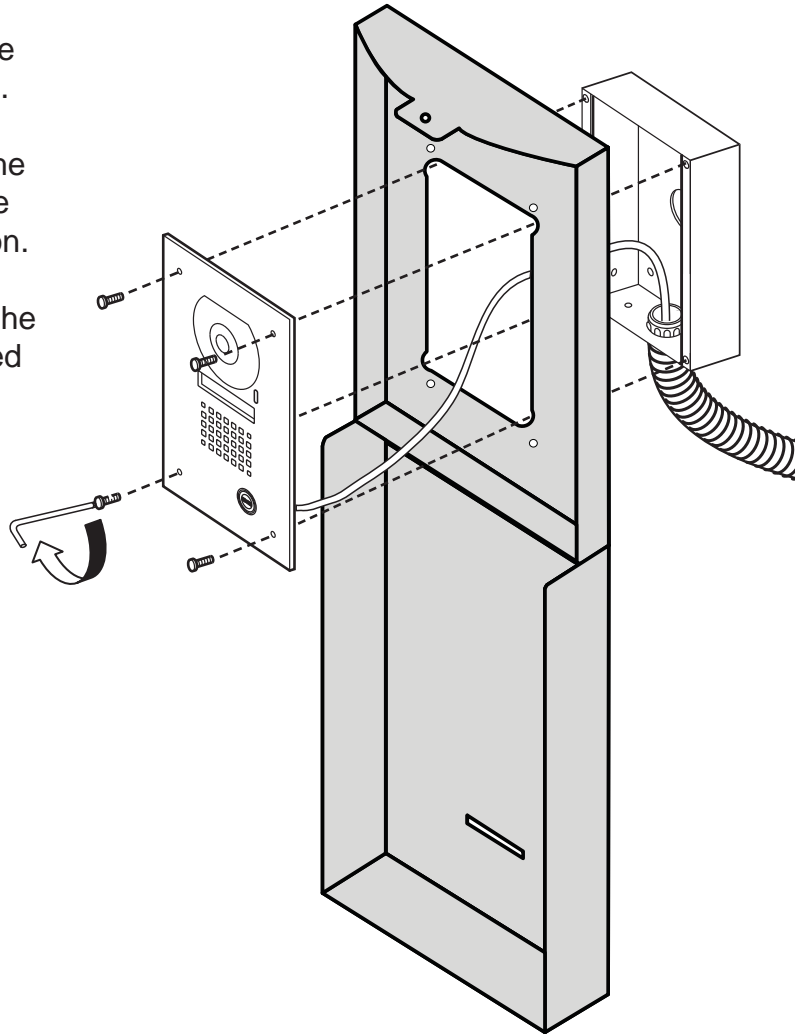
1. Pass the door station wiring through the center of the LB-XDVF and the large hole in the included mounting plate.
2. Attach CAT-5e/6 wire to the AX-DV.
3. Verify proper orientation and hole alignment. Secure the LB-XDVF and included plate to the wall using the corner mounting holes on the AX-DV and included mounting screws.
4. Secure the front chassis to the door station using the included security screws.



Note: Customer is to provide a security lock of their choosing to lock the panel in the closed position when the system is not in use. When in the open position, the padlock can be secured to the "L" bracket.

AX-DVF MOUNTING INSTRUCTIONS:

1. Install the flush mount backbox into the wall per AX-DVF standard instructions.
2. Pass the door station wiring through the back box and through the center of the LB-XDVF and attach to the door station.
3. Secure the LB-XDVF and AX-DVF to the flush mount backbox using the included security screws.



Note: Customer is to provide a security lock of their choosing to lock the panel in the closed position when the system is not in use. When in the open position, the padlock can be secured to the “L” bracket.

SPECIFICATIONS:

Mounting:	AX-DVF mounting box or surface mount directly to wall surface
Material:	16-Gauge Stainless Steel
Color:	Polished Stainless Steel
Dimensions (HxWxD):	
Closed -	13-3/8" x 6-5/16" x 1-9/16"
Open -	24-3/4" x 6-5/16" x 1-9/16"
Interior Depth:	1-1/2"



LB-XDVF
open w/camera



LB-XDVF
Closed