

Model DTC

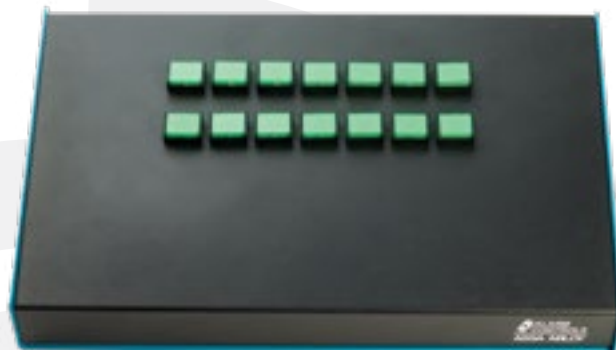
DESKTOP CONTROL CONSOLE



M1 CONSOLE



M2 CONSOLE



M3 CONSOLE

CONSOLE	CONSOLE COLOR	SWITCH QUANTITY	SWITCH TYPE	SWITCH COLOR	ILLUMINATION
M1 1-2 SWITCHES	G BEIGE	NUMBER OF SWITCHES REQUIRED	A SPDT MOMENTARY ACTION	G GREEN	N NONE
M2 3-12 SWITCHES	K BLACK		B SPDT ALTERNATE ACTION	R RED	V1 12VDC
M3 13-40 SWITCHES			C DPDT MOMENTARY ACTION	Y YELLOW	V2 24VDC
			D DPDT ALTERNATE ACTION	B BLUE	
				W WHITE	

DTC-	M2	K	6	A	G	V1
-------------	-----------	----------	----------	----------	----------	-----------

Part Number Example

For a Black Console with 6 SPDT Green Momentary Switches and 12VDC Illumination
 For consoles that require multiple switch colors, multiple switch types or custom labeling, please contact us so that we may generate a custom part number for your requirement.

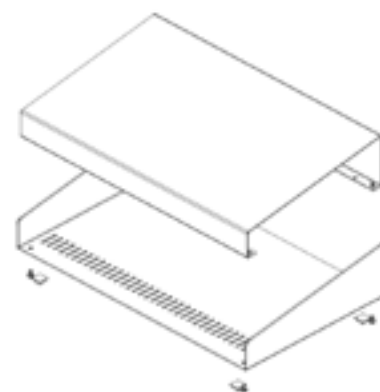
Specifications

Contact Rating 3A @ 24VDC
 LED Current Draw 9mA nominal
 Switch Size 0.625" x 0.875"
 Switches terminated in 22AWG colored leads -
 Common White
 Normally Closed Red
 Normally Open Blue
 LED+ Yellow
 LED- Black

Console Size

M1 3.3" x 5.7" x 1.5"H
 M2 6.9" x 4.9" x 2.5"
 M3..... 14" x 8.3" x 3" (rear height)
 14" x 8.3" x 1.5" (front height)

Button lenses can be removed to allow a printed transparency to be placed underneath for button labels.



ALARMCONTROLS



ASSA ABLOY