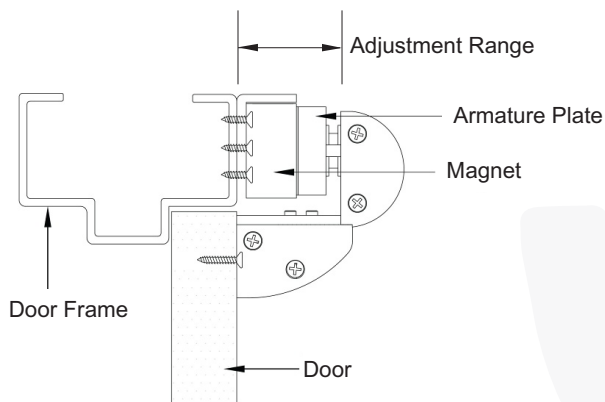


Model **AM3370C** **AM6370C**

Z-Bracket with Integrated Dress-Up Cover for 600 & 1200 Series Single Magnetic Locks

Specifications

- For use on in-swinging doors
- Anodized aluminum finish standard. Also available in Duranodic finish US40 (Dark Bronze) finish*
- Model AM3370C for magnetic lock models: 600S, 600L and 600LB
 - Adjustment range: 2" - 2.75"
 - Bracket dimensions: 10"L x 3.5"H
- Model AM6370C for magnetic lock models: 1200S, 1200L and 1200LB
 - Adjustment range: 2.375" - 3.5"
 - Bracket dimensions: 10.625"L x 4.25"H



**Contact Alarm Controls for lead times and minimum order quantities for non-standard finishes*

ALARM CONTROLS

© 2015 Hanchett Entry Systems, Inc., an ASSA ABLOY Group Company



ASSA ABLOY

ASSA ABLOY, the global leader
in door opening solutions