



345 Bayview Avenue, Amityville, New York 11701
 For Sales and Repairs 1-800-ALA-LOCK
 For Technical Service 1-800-645-9440
 or visit us at <http://tech.napcosecurity.com/>
 (Note: Technical Service is for security professionals only)
 Publicly traded on NASDAQ Symbol: NSSC
 © ALARM LOCK 2019

5 Series EU / EL Solenoid Mortise Lock Body INSTALLATION INSTRUCTIONS

WI2351LF 4/19

Overview

The 5EU / 5EL Series is an electrified mortise lock body that fits a standard mortise prep. The lock is available in two models, either "EU" or "EL":

- **EU** is electrically unlocked / fail secure, i.e. power is required to unlock. Therefore, if power fails, the lock will remain in a secure locked state.
- **EL** is electrically locked / fail safe, i.e. power is required to remain locked. Therefore, if power fails, the unit will change to an unsecured / unlocked state, allowing safe egress through the protected door.

The lock body is powered from a 12VDC or 24VDC power supply or control panel, and the body provides outputs for up to 3 separate sensors: A key position sensor, a request to exit sensor, and a latch thrown/retracted sensor.

Specifications

Weight:..... 2.5lbs

Dimensions

Depth with face plate:4-9/16"
 Height without face plate:5-15/16"
 Height with face plate:8"
 Width without face plate:1"
 Width with face plate:1-1/4"

Current

12V system: 390mA (max), 185mA (typical)
 24V system: 360mA (max), 115mA (typical)

Temperature

Operating:..... -20°C to 60°C (-4°F to 140°F)
 Storage:..... -40°C to 85°C (-40°F to 185°F)

Wire Gauge Chart

The maximum length of each power wire based on gauge (for either 12V or 24V power):

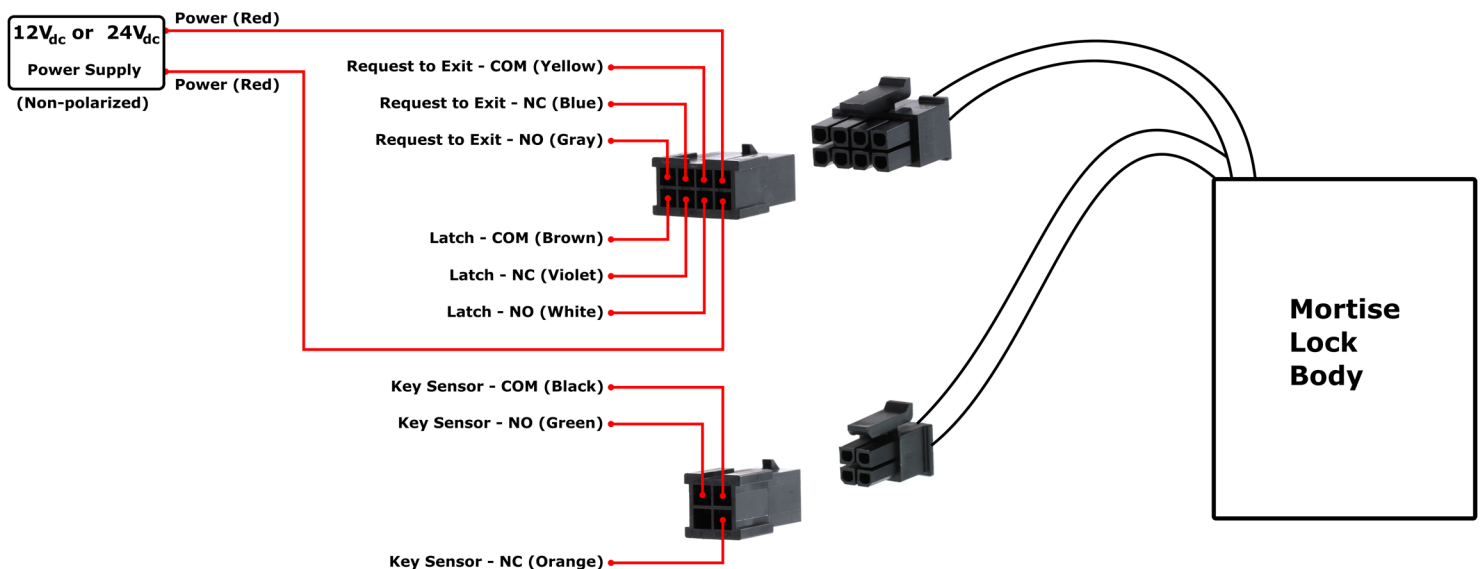
- #22 AWG - 150 feet maximum per wire
- #20 AWG - 250 feet maximum per wire
- #18 AWG - 400 feet maximum per wire
- #16 AWG - 600 feet maximum per wire

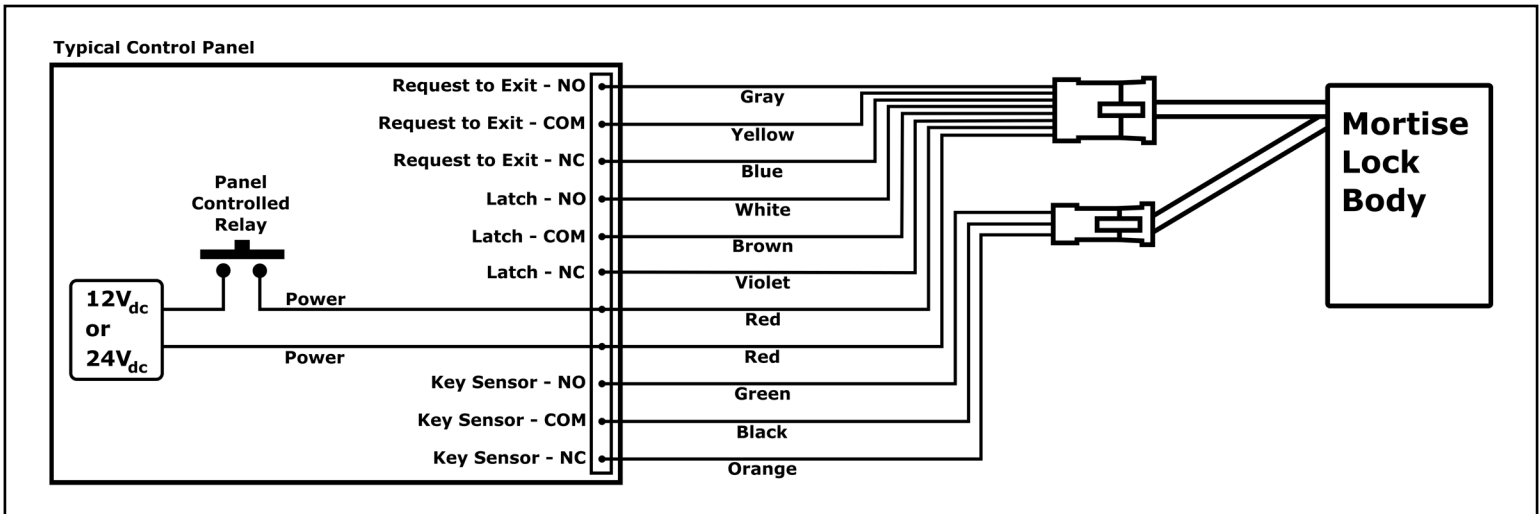
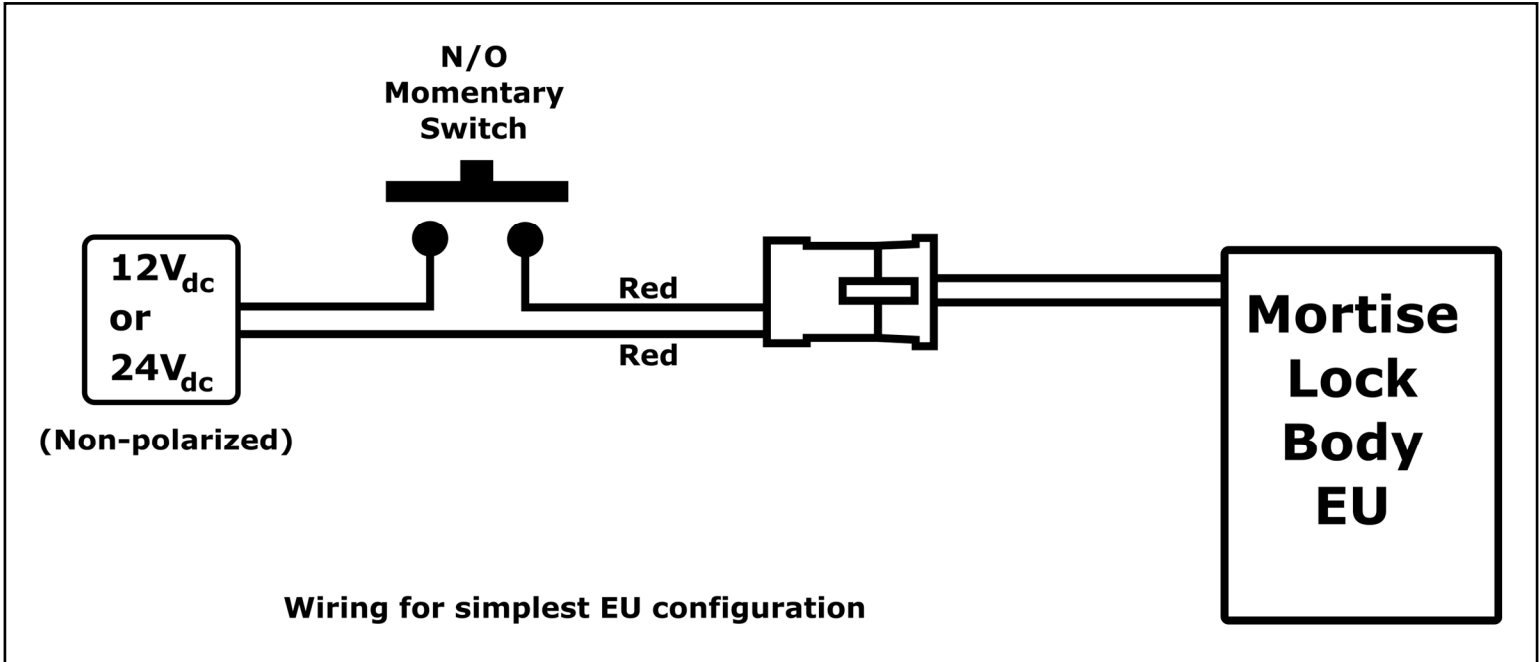
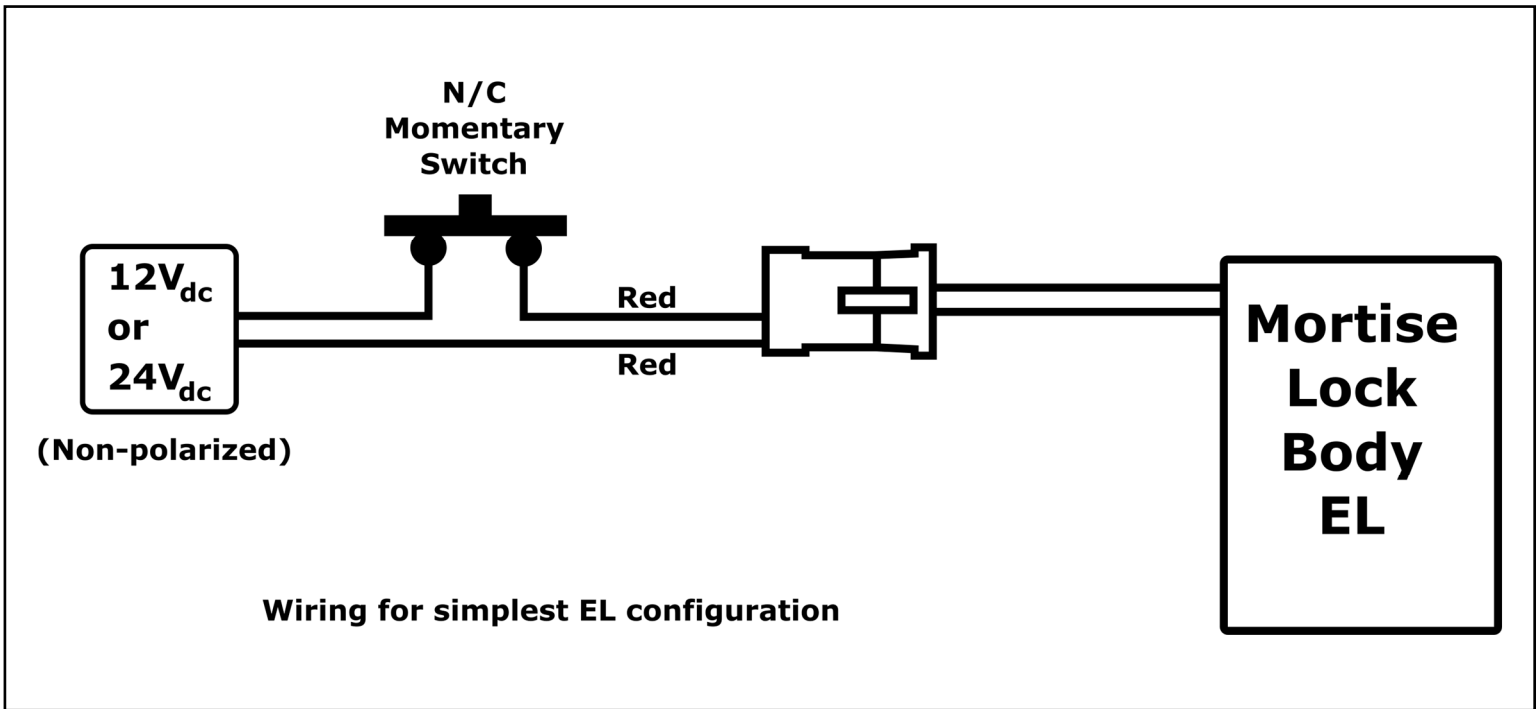
AC to DC Rectifier (optional)

Important: If you intend to use 12VAC or 24VAC to power the lock body, you must purchase and install an AC to DC rectifier (model E1901) before powering the lock body.

Wiring Diagrams

See illustrations, below and on next page. The lock body is equipped with two plugs routed from the back of the unit. One plug contains eight contacts, the other contains four. Both plugs are inserted into receptacles with flying leads that the installer can use to wire the lock. The eight-contact plug will always be used; the plug with four contacts contains the optional key position sensor connections, and therefore is only used when needed.





NOTES

ALARM LOCK LIMITED WARRANTY

ALARM LOCK SYSTEMS, INC. (ALARM LOCK) warrants its products to be free from manufacturing defects in materials and workmanship for twenty four months following the date of manufacture. ALARM LOCK will, within said period, at its option, repair or replace any product failing to operate correctly without charge to the original purchaser or user.

This warranty shall not apply to any equipment, or any part thereof, which has been repaired by others, improperly installed, improperly used, abused, altered, damaged, subjected to acts of God, or on which any serial numbers have been altered, defaced or removed. Seller will not be responsible for any dismantling or reinstallation charges, environmental wear and tear, normal maintenance expenses, or shipping and freight expenses required to return products to ALARM LOCK. Additionally, this warranty shall not cover scratches, abrasions or deterioration due to the use of paints, solvents or other chemicals.

THERE ARE NO WARRANTIES, EXPRESS OR IMPLIED, WHICH EXTEND BEYOND THE DESCRIPTION ON THE FACE HEREOF. THERE IS NO EXPRESS OR IMPLIED WARRANTY OF MERCHANTABILITY OR A WARRANTY OF FITNESS FOR A PARTICULAR PURPOSE. ADDITIONALLY, THIS WARRANTY IS IN LIEU OF ALL OTHER OBLIGATIONS OR LIABILITIES ON THE PART OF ALARM LOCK.

Any action for breach of warranty, including but not limited to any implied warranty of merchantability, must be brought within the six months following the end of the warranty period.

IN NO CASE SHALL ALARM LOCK BE LIABLE TO ANYONE FOR ANY CONSEQUENTIAL OR INCIDENTAL DAMAGES FOR BREACH OF THIS OR ANY OTHER WARRANTY, EXPRESS OR IMPLIED, EVEN IF THE LOSS OR DAMAGE IS CAUSED BY THE SELLER'S OWN NEGLIGENCE OR FAULT.

In case of defect, contact the security professional who installed and maintains your security system. In order to exercise the warranty, the product must be returned by the security professional, shipping costs prepaid and insured to ALARM LOCK. After repair or replacement, ALARM LOCK assumes the cost of returning products under warranty. ALARM LOCK shall have no obligation under this warranty, or otherwise, if the product has been repaired by others, improperly installed, improperly used, abused, altered, damaged, subjected to accident, nuisance, flood, fire or acts of God, or on which any serial numbers have been altered, defaced or removed. ALARM LOCK will not be responsible for any dismantling, reassembly or reinstallation charges, environmental wear and tear, normal maintenance expenses, or shipping and freight expenses required to return products to ALARM LOCK. Additionally, this warranty shall not cover scratches, abrasions or deterioration due to the use of paints, solvents or other chemicals.

This warranty contains the entire warranty. It is the sole warranty and any prior agreements or representations, whether oral or written, are either merged herein or are expressly cancelled. ALARM LOCK neither assumes, nor authorizes any other person purporting to act on its behalf to modify, to change, or to assume for it, any other warranty or liability concerning its products.

In no event shall ALARM LOCK be liable for an amount in excess of ALARM LOCK's original selling price of the product, for any loss or damage, whether direct, indirect, incidental, consequential, or otherwise arising out of any failure of the product. Seller's warranty, as hereinabove set forth, shall not be enlarged, diminished or affected by and no obligation or liability shall arise or grow out of Seller's rendering of technical advice or service in connection with Buyer's order of the goods furnished hereunder.

ALARM LOCK RECOMMENDS THAT THE ENTIRE SYSTEM BE COMPLETELY TESTED WEEKLY.

Warning: Despite frequent testing, and due to, but not limited to, any or all of the following; criminal tampering, electrical or communications disruption, it is possible for the system to fail to perform as expected. ALARM LOCK does not represent that the product/system may not be compromised or circumvented; or that the product or system will prevent any personal injury or property loss by burglary, robbery, fire or otherwise; nor that the product or system will in all cases provide adequate warning or protection. A properly installed and maintained alarm may only reduce risk of burglary, robbery, fire or otherwise but it is not insurance or a guarantee that these events will not occur. CONSEQUENTLY, SELLER SHALL HAVE NO LIABILITY FOR ANY PERSONAL INJURY, PROPERTY DAMAGE, OR OTHER LOSS BASED ON A CLAIM THE PRODUCT FAILED TO GIVE WARNING. Therefore, the installer should in turn advise the consumer to take any and all precautions for his or her safety including, but not limited to, fleeing the premises and calling police or fire department, in order to mitigate the possibilities of harm and/or damage.

ALARM LOCK is not an insurer of either the property or safety of the user's family or employees, and limits its liability for any loss or damage including incidental or consequential damages to ALARM LOCK's original selling price of the product regardless of the cause of such loss or damage.

Some states do not allow limitations on how long an implied warranty lasts or do not allow the exclusion or limitation of incidental or consequential damages, or differentiate in their treatment of limitations of liability for ordinary or gross negligence, so the above limitations or exclusions may not apply to you. This Warranty gives you specific legal rights and you may also have other rights which vary from state to state.