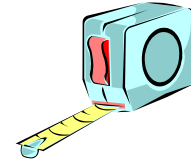




# IMPORTANT



Templates must be printed without size modifications and verified for dimensional accuracy.

- Before printing, select the printing options necessary to ensure that copies are produced without size adjustments.
- After printing, measure the dimensions indicated on the template to ensure correct scale.



**ALARM LOCK**

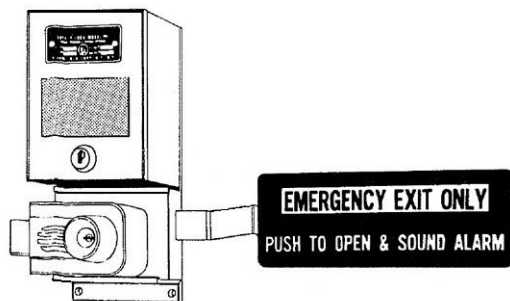
345 Bayview Avenue  
Amityville, New York 11701

For Sales and Repairs 1-800-ALA-LOCK

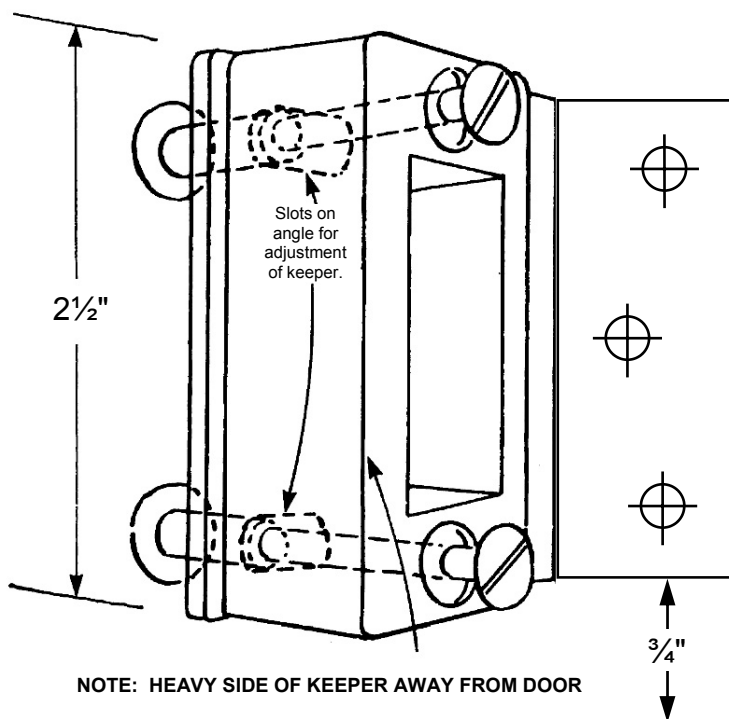
For Technical Service 1-800-645-9440

(Note: Technical Service is for security professionals only)  
Publicly traded on NASDAQ Symbol: NSSC

**SENTRYGARD  
ALARM LOCK  
MODEL 11A**



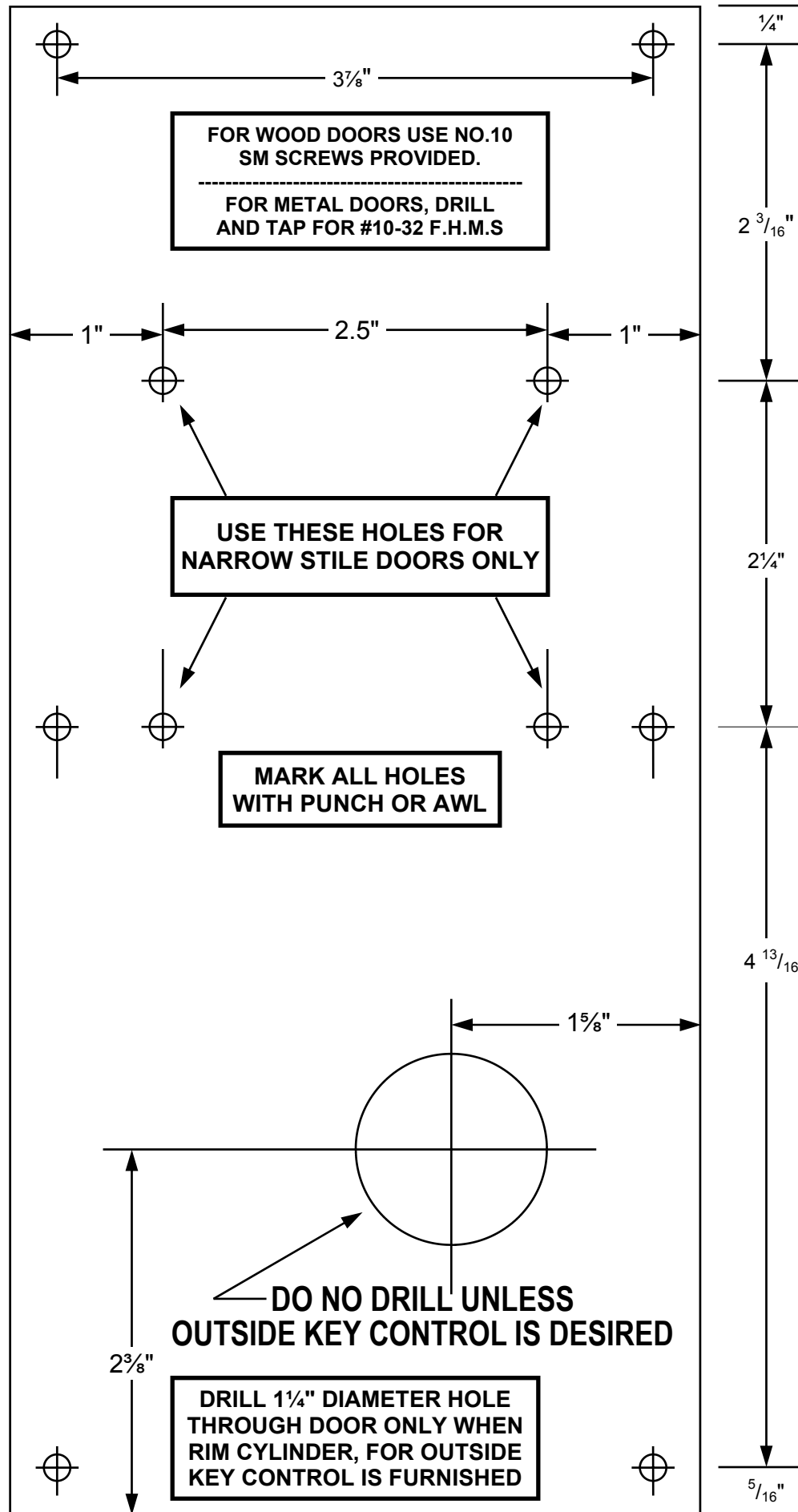
**KEEPER AND PLATE  
DO NOT MORTISE**



NOTE: HEAVY SIDE OF KEEPER AWAY FROM DOOR

FOR SINGLE DOORS...HOLD DOTTED LINE ON EDGE OF JAMB.

FOR DOUBLE DOORS...HOLD DOTTED LINE ON EDGE OF INACTIVE DOOR.



**(THIS TEMPLATE RARELY USED)**

**INSTALLATION TEMPLATE FOR L.H. IN-SWINGING SINGLE OR DOUBLE DOORS WITH ADJUSTABLE ANGLE KEEPER  
SEE REVERSE SIDE FOR RIGHT HAND INSTALLATION**

**INSTALLATION INSTRUCTIONS**

**THIS IS A NEW ALARM BOX AND NEED NOT BE REMOVED FROM THE MOUNTING PLATE**

**OPEN ALARM BOX AND REMOVE BATTERY. USING SIX (6) #10 SCREWS PROVIDED, MOUNT THE LOCK TO THE DOOR. (NOTE: FOUR (4) OF THE MOUNTING HOLES ARE INSIDE OF THE ALARM BOX). REPLACE BATTERY AND CLOSE THE COVER OF THE ALARM BOX.**

**TO REVERSE HAND OF LOCK**

**FROM REAR OF MOUNTING PLATE, REMOVE THE 4 SCREWS HOLDING ENTIRE LOCK MECHANISM. TURN ENTIRE LOCK MECHANISM AROUND AND REPLACE SCREWS. REVERSE CLAPPER PLATE.**

**IMPORTANT !**

WHEN PRINTING THIS TEMPLATE FROM A .PDF FILE, ALWAYS SELECT PRINTING OPTIONS TO ENSURE THAT COPIES ARE PRODUCED **WITHOUT** SIZE ADJUSTMENTS.

AFTER PRINTING, VERIFY THE DIMENSIONS OF THIS BOX ARE 2.000 x 2.000 INCHES ± 0.010.

# (THIS TEMPLATE RARELY USED)

## INSTALLATION TEMPLATE FOR R.H. IN-SWINGING SINGLE OR DOUBLE DOORS WITH ADJUSTABLE ANGLE KEEPER SEE REVERSE SIDE FOR LEFT HAND INSTALLATION

### INSTALLATION INSTRUCTIONS

THIS IS A NEW ALARM BOX AND NEED NOT BE REMOVED FROM THE MOUNTING PLATE

OPEN ALARM BOX AND REMOVE BATTERY. USING SIX (6) #10 SCREWS PROVIDED, MOUNT THE LOCK TO THE DOOR. (NOTE: FOUR (4) OF THE MOUNTING HOLES ARE INSIDE OF THE ALARM BOX). REPLACE BATTERY AND CLOSE THE COVER OF THE ALARM BOX.

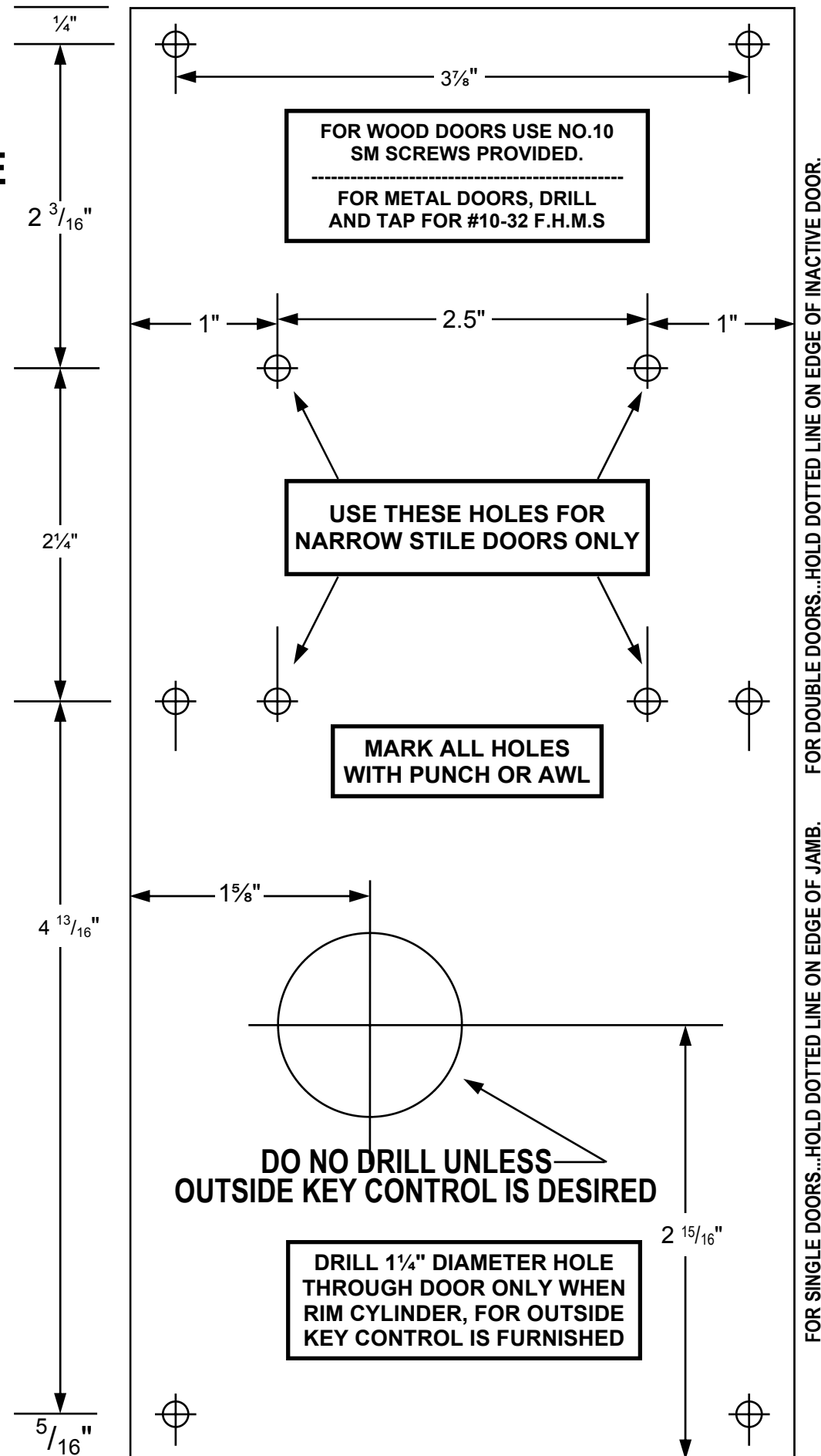
#### IMPORTANT!

WHEN PRINTING THIS TEMPLATE FROM A .PDF FILE, ALWAYS SELECT PRINTING OPTIONS TO ENSURE THAT COPIES ARE PRODUCED WITHOUT SIZE ADJUSTMENTS.

AFTER PRINTING, VERIFY THE DIMENSIONS OF THIS BOX ARE 2.000 X 2.000 INCHES ± 0.010.

### TO REVERSE HAND OF LOCK

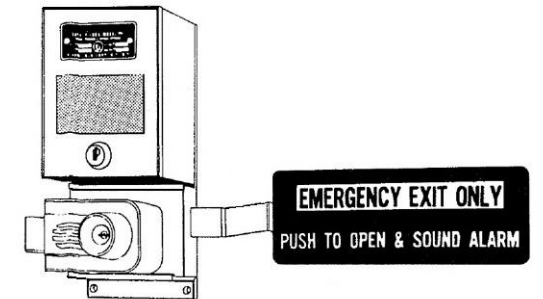
FROM REAR OF MOUNTING PLATE, REMOVE THE 4 SCREWS HOLDING ENTIRE LOCK MECHANISM. TURN ENTIRE LOCK MECHANISM AROUND AND REPLACE SCREWS. REVERSE CLAPPER PLATE.



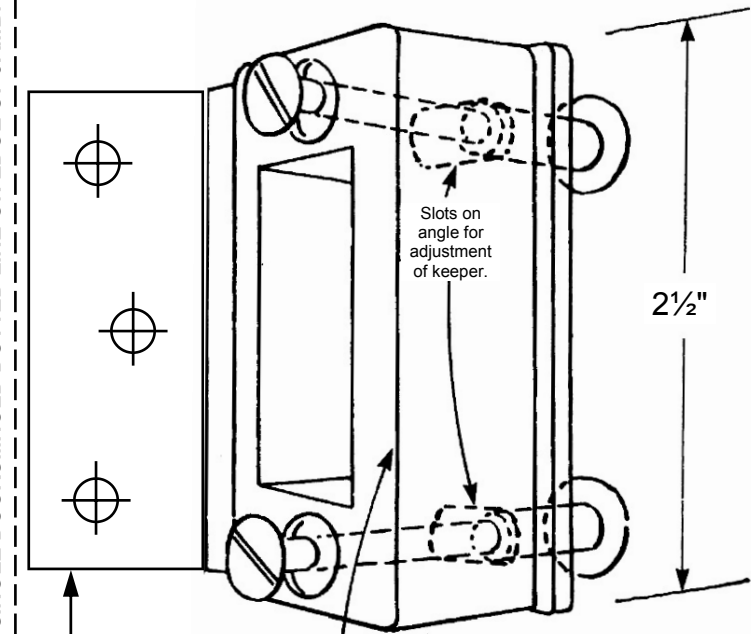
**ALARM LOCK**  
345 Bayview Avenue  
Amityville, New York 11701

For Sales and Repairs 1-800-ALA-LOCK  
For Technical Service 1-800-645-9440  
(Note: Technical Service is for security professionals only)  
Publicly traded on NASDAQ Symbol: NSSC

## SENTRYGARD ALARM LOCK MODEL 11A



**KEEPER AND PLATE  
DO NOT MORTISE**



NOTE: HEAVY SIDE OF KEEPER AWAY FROM DOOR